

---

427001376

EN Drying Cabinet

Operating Manual

---

*Dear NIMO customer,*

*Congratulations on making an excellent choice of product, and welcome to the NIMO family, a global family with its roots in Sweden.*

*We at NIMO thank you for your trust and hope that you will enjoy using your new drying cabinet.*

*A good drying cabinet should be well designed, dry clothes well, have a low environmental impact, be user-friendly, save time and energy, have a long service life and be reliable. NIMO offers you all these features.*

*When you buy a NIMO product you can be sure that the inside is just as good as the outside and that the ethics and morals that go into building this product are just as high as the quality and function you are getting. That's what Swedish quality is all about.*

*Before using the product for the first time, please read the advice on using and caring for the product. This will help you get the best possible results from your product and all its functions.*

*If you have any questions, do not hesitate to call us or to contact us through our website.*

*Best wishes from Sweden and the NIMO team.*

**Manufacturer:** NIMO-VERKEN AB  
Box 288  
542 23 Mariestad  
Sweden  
info@nimoverken.com  
www.nimoverken.com



We reserve the right to make changes without prior notice.

Doc. No: 427001376 / 02

# Contents

---

1	Safety instructions .....	32
	1.1 General safety instructions .....	33
	1.2 Symbols .....	33
2	Presentation of machine .....	34
3	Air flow .....	35
4	Starting for the first time .....	36
5	Operation .....	37
	5.1 Placement of washing .....	37
	5.2 Control panel .....	37
	5.3 Programme description .....	38
	5.4 Selection of drying programme .....	38
	5.5 Starting .....	38
	5.6 Programme pause .....	39
	5.7 Programme end .....	39
	5.8 Ending drying programme .....	39
	5.9 Protection against overheating .....	39
6	Maintenance .....	40
	6.1 Preventive maintenance by user .....	40
	6.2 Filter .....	40
7	Troubleshooting .....	41
	7.1 How to deal with minor disruptions yourself .....	41
	7.2 Error codes .....	42
8	Servicing .....	43

Keep this manual so that it is always to hand for future use

**This advice on safe operation has been compiled to enable you to avoid incorrect use and unnecessary risks of accidents and should be read before the drying cabinet is installed and used.**

**DO NOT MODIFY THIS PRODUCT.**

The drying cabinet must be installed and kept indoors.

**CAUTION** This equipment is intended only to be used to dry fabrics washed in water. Remove all items out of the pockets, such as lighters and matches, before drying.

Maintenance must be carried out only by the manufacturer, the manufacturer's service agent or similarly qualified persons.

Only approved spare parts may be used.

Make sure that the power supply is turned off before maintaining or replacing parts.

### **Applicable to installation in the EU**

This drying cabinet can be used by children over the age of 8 and persons (including children) with various disabilities or inadequate experience and knowledge, provided they are kept under supervision or are given instructions on how to use the appliance in a safe way and understand the risks that use entails.

Children must not play with the appliance.

---

## **Applicable to installation in countries outside the EU**

The appliance is not intended for use by persons (including children) with various disabilities or inadequate experience and knowledge.

They may use the appliance only under supervision or if they have received instructions on how to use the appliance from a person who is responsible for their safety.



Children must be supervised to ensure that they do not play with the appliance.

### **1.1 General safety instructions**

Do not flush the machine with water.

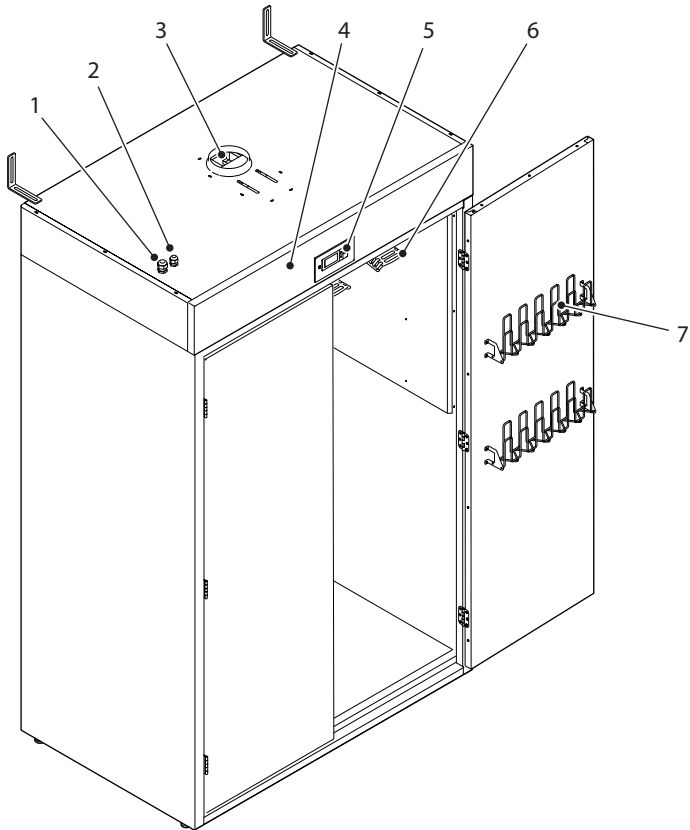
To prevent damage, for example to electronics, that can be caused by condensation, the machine should be left to stand at room temperature for 24 hours before being used for the first time.

### **1.2 Symbols**

	Caution
	Read the instructions before using the machine

## 2 Presentation of machine

---



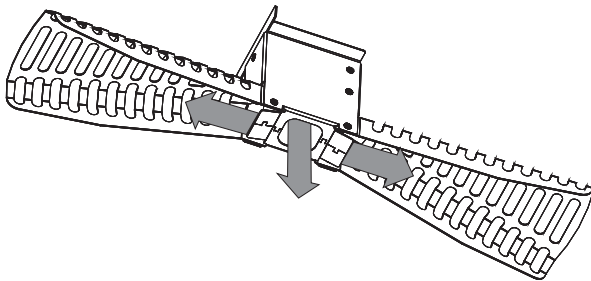
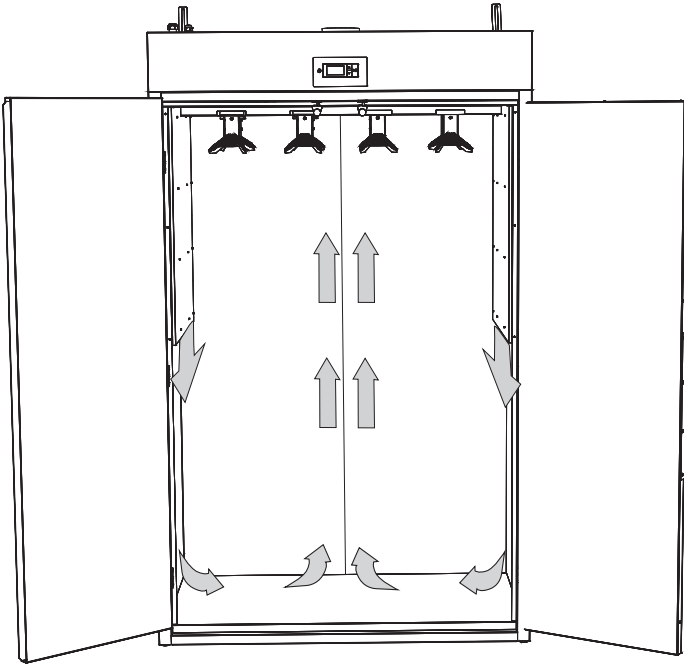
1	Connection for external fan
2	Connection to mains
3	Damper
4	Fan unit / Electric control unit (behind the panel)
5	Control panel
6	Hangers
7	Door hangers

### 3 Air flow

---

The illustration shows the air flow in the drying cabinet.

Air intake is on both the left-hand and right-hand sides and through the hangers.



## 4 Starting for the first time

---



Read these operating instructions before using the drying cabinet for the first time.

**CAUTION** Read the safety instructions on page 32 before using the cabinet.

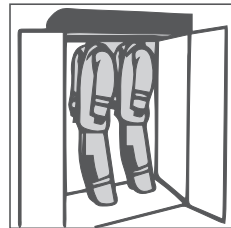
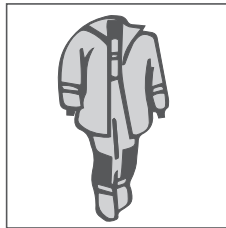
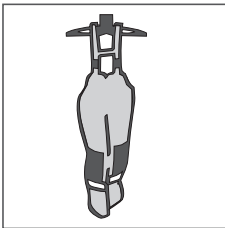
- Make sure that the cabinet is securely attached to the wall..
- Make sure that no packaging material has been left behind.
- Use a mild detergent with hot water and wash the inside and outside of the drying cabinet. Dry carefully. See also the 'Care' section later in the manual.



## 5 Operation

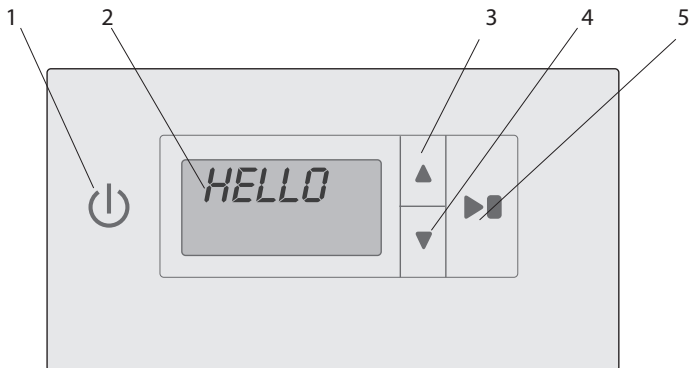
### 5.1 Placement of washing

- Take the hangers out of the drying cabinet to hang the items in. There is space for a complete set of workwear on each hanger.
- Place the straps of the trousers over the hanger and then hang on the jacket. Place the hanger in one of the four support rails. Use the cover plates supplied in the air outlets not in use.
- To minimise energy consumption in drying, fill the cabinet and do not open the doors until the machine has switched off.



### 5.2 Control panel

The drying cabinet is equipped with two drying programmes suited to different types of emergency services suit. These programmes are set using programming menus and operated with four touch buttons on the menu panel. Four languages can be handled. For language setting, see Service Manual.



1	ON / OFF
2	Display showing selected drying programme or instruction text
3	UP ARROW, changes drying programme
4	DOWN ARROW, changes drying programme
5	START/STOP, starts and stops the driving programme.

---

### 5.3 Programme description

The drying cabinet has two drying programmes:

- **Impregnation**
- **Normal**

*The programmes automatically close the drying process when the fabrics are dry.*

### 5.4 Selection of drying programme

- **Impregnation** – Used for drying of a newer type of emergency services suit that has an impregnated surface layer. The programme repairs/recreates the surface layer. The programme involves a high temperature for impregnation.
- **Normal** – Used for drying of older padded emergency services suits. The programme involves drying at lower temperature.

### 5.5 Starting

Press the on/off switch to the '**ON**' position - Indicated by the display lighting up and showing the last run programme.

If you want this, press **START/STOPP**. Or select another drying programme by stepping through with the **UP ARROW** or **DOWN ARROW** buttons.

Then start the drying programme with the **START/STOP button**.

The **animated symbol** (bar) on the left side of the display indicates that the drying process is in progress.

The drying process ends automatically when the fabrics are dry and the drying programme enters the cool-down period.

If the door is open when a drying programme is started and the **START/STOP button is activated, the display will show 'close door'**. Close the door, and the selected drying programme will start.

To interrupt a drying process in progress, press **START/STOP**.

---

## 5.6 Programme pause

If the door is opened while the drying process is in progress, the heat will be turned off, and the fan will continue operating for another 5 minutes.

If the door is closed within this 5 minute period, the drying process will start again from the beginning.

If the door is left open, the drying process will stop after 5 minutes and must be restarted manually.

## 5.7 Programme end

When the cool-down period has ended, the drying process is finished, and the display shows the text 'end'(flashing).

When the **START/STOPP** button is then pressed or the door is opened, the current programme ends and the display shows the last used programme.

## 5.8 Ending drying programme

To interrupt a drying process in progress, press **START/STOP**.

**NB:** The fans will continue to run for around 3 min to cool down the element packs.

## 5.9 Protection against overheating

The drying cabinet is equipped with double protection against overheating.

**Overheat cut-out** - reset by the user.

**Main control** - reset by service personnel.

### Overheat cut-out:

If the cabinet overheats during the drying process, the elements are closed and the fan continues.

The display shows '**ERR 05'** *flashing* and '**Wait**' on row 2.

When the temperature in the cabinet has been brought down to an acceptable level (this takes around 4 min), the display shows '**ERR 05'** with a *steady light* and the words "**OH PROTECTION**" scrolling on the bottom row.

The overheat cut-out can then be reset by holding down the **START/STOP** button for around 4 seconds.

### Main control

If the cabinet for any reason overheats outside the drying progress, the main control will trip.

The main control must be reset manually by service personnel who search for the cause while resetting.

## 6 Maintenance

---

### 6.1 Preventive maintenance by user

The user should wipe the cabinet with a damp cloth after each use of the drying cabinet. It must be free of dust/grit.

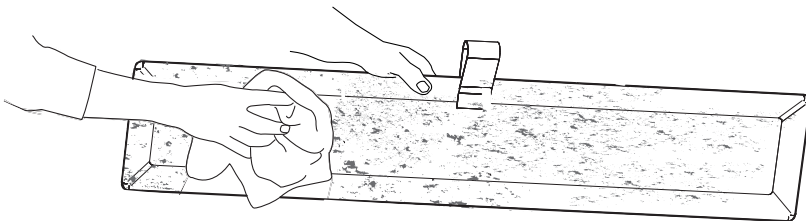
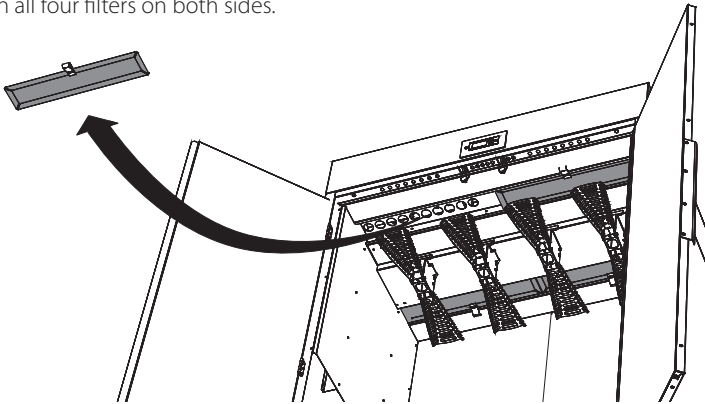
### 6.2 Filter

The drying cabinet has four filters located in the roof of the cabinet, two at the front and two at the rear.

**NB: If any of the filters is removed, the drying cabinet must not be used.**

**NB: The user is responsible for checking and cleaning the filters after each drying programme.**

- You remove filters by pulling the handle.
- Clean all four filters on both sides.



- Put back the filter and press it home.

## 7 Troubleshooting

---

### 7.1 How to deal with minor disruptions yourself

<i>Questions</i>	<i>What you can do</i>
The drying cabinet is not working.	<ol style="list-style-type: none"><li>1. Check the mains connection and that power is supplied.</li><li>2. Check that no fuse has tripped.</li><li>3. Have you pressed the start button?</li><li>4. Are the doors closed?</li></ol>
Drying takes a long time.	<ol style="list-style-type: none"><li>1. Clean the lint filters (must be done after each drying operation).</li><li>2. Make sure that the correct programme has been selected for the type of laundry.</li><li>3. Make sure that the laundry is not soaking wet (poorly spun).</li><li>4. The software controlling the drying process needs to be adjusted. Contact service technician.</li></ol>
The laundry does not become dry.	<ol style="list-style-type: none"><li>1. Make sure that the correct programme has been selected for the type of laundry.</li><li>2. The software controlling the drying process needs to be adjusted. Contact service technician.</li></ol>

---

## 7.2 Error codes

<b>No.</b>	<b>Name</b>	<b>Description / Action</b>
ERR 01	Fault in cabinet temp sensor Cabinet	Contact Service
ERR 02	Fault in temp sensor Exhaust air	Contact Service
ERR 04	Max. time for drying process exceeded	Contact Service
ERR 05	Overheating	Reset. See section on ' <i>Overheating cut-out</i> ', <b>5.9</b>
ERR 08	Clean filters 100 hours	Clean the filters and reset the error code.
ERR 12	Timeout communication	Contact Service

To reset an error code, hold down the **START/STOP** button for 5 sec.

## 8 Servicing

**Before contacting Service**, you should find out the name, article number and serial number of the drying cabinet.

This information can be found on the identification plate located inside the cabinet.



*Name of the drying cabinet*

*Article number  
Serial number (8 digits)*

