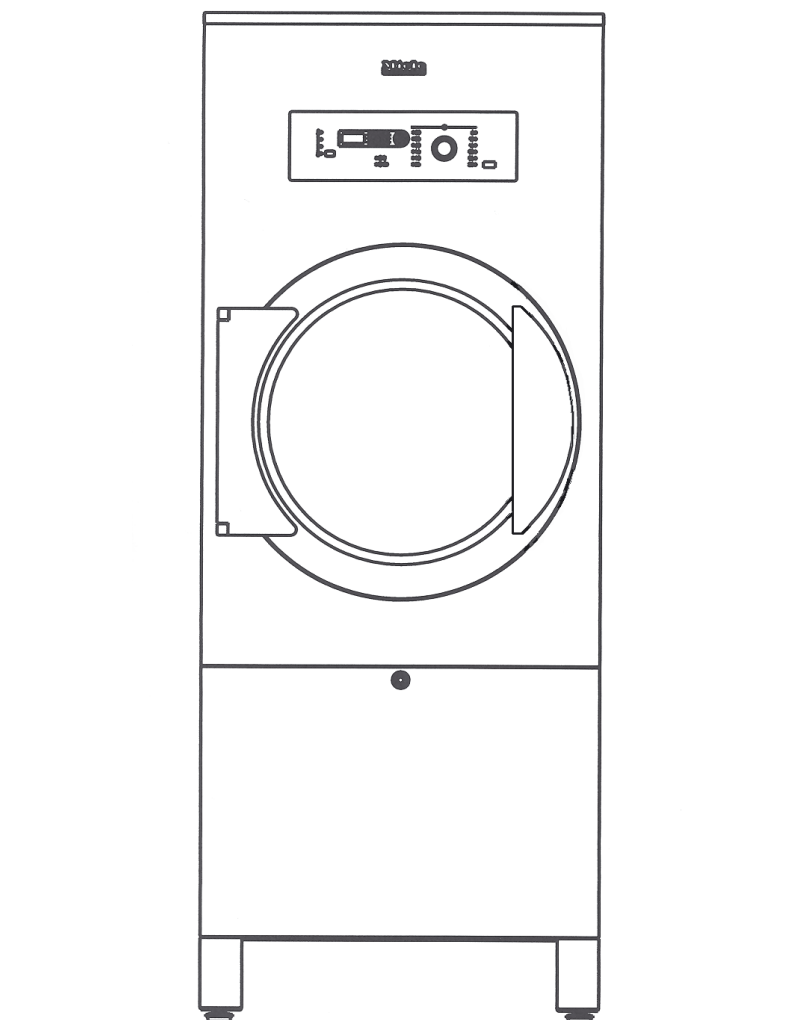


Operating instructions
Dryers



PT 8301 SL
PT 8303 SL

To avoid the risk of accidents or damage to the machine, it is **essential** to read these instructions before installing, commissioning and using it for the first time.

en - AU, NZ

M.-Nr. 09 197 130

Gas-heated machines

Safety precautions to take if you smell gas

- Turn off the gas emergency control valve immediately. This is usually located near the gas meter.
- Do not enter a room with an open flame where there is a smell of gas.
- Eliminate all sources of ignition in a safe manner. Do not smoke, light cigarette lighters or matches.
- Do not operate electrical lights or switches, i.e. do not switch them "On" or "Off".
- Open all windows and doors to ventilate the area.
- If the smell of gas persists, evacuate the building.

In case of emergency contact your local gas/electrical authority

Contents

Warning and Safety instructions	5
Caring for the environment	8
Guide to the machine	9
Description of tumble dryer PT 8301	10
Description of tumble dryer PT 8303	11
Drying	12
Sort the laundry	12
Before using for the first time	13
Switching the dryer on and loading the drum	13
Dryer PT 8301	14
Selecting a temperature	14
Selecting a drying duration	14
At the end of the programme	14
Dryer PT 8303	15
Selecting a programme	15
Lowering the temperature	15
At the end of the programme	15
After drying	16
Interrupting a programme	16
Adding or removing items	16
PT 8301 COP	17
Control panel PT 8301 Profitronic B COP (Coin Operation)	17
Select a temperature	17
At the end of the drying duration	17
Reprogramming	18
Reprogramming individual drying programmes (Changing the Standard options)	18
Example of reprogramming PT 8301 Profitronic B Timed programme machines	18
Example of reprogramming PT 8303 Profitronic B Plus Residual moisture programme machines	18
Programmable functions	19
Problem solving guide	20
Error messages	20
Other messages	20
Cleaning and care	21
Fluff filter	21
Installation and connection	22
Levelling the appliance	23
To fit the language insert (programme selection) (PT 8303 only)	23
Payment system	23
Communication module XKM RS232	23
Electrical connection	24
Air inlet and exhaust connection	24
Gas connection	24
Technical data	25

Explanation of the Warning and Safety symbols on the machine



It is essential to read these operating instructions.



Please refer to specific instructions, e.g. Installation instructions



Caution, hot surfaces.



Caution, voltage up to 1000 volts.



Earthing



⚠ Caution, Risk of Fire.
To avoid the possible danger of fire, please read these warnings carefully.



⚠ A clogged filter is a fire hazard!
The fluff filter must be cleaned after every programme.

To avoid the risk of accidents and damage to the machine, read the operating instructions carefully before using it for the first time. They contain important information about the installation, safety, use and maintenance of the machine. Keep them in a safe place and ensure that new users are familiar with the content. Pass them on to any future owner of the machine.

Correct application

► This dryer must only be used for drying articles which were washed in water and which have a care label stating that the article is suitable for machine drying.

THIS APPLIANCE SHALL NOT BE USED TO DRY OFF SOLVENTS OR DRY CLEANING FLUIDS.

► To prevent the risk of fire, the following must not be dried in this tumble dryer (with the exception of those fabrics which can be dried in the Special Programmes specifically designed for them):

- fabrics which contain a large proportion of rubber, foam rubber or rubber-like materials.
- items which have been treated with inflammable cleaning agents.
- items which have been splashed with hair lacquer, hair spray, nail varnish remover or similar substances.
- items which have been soiled with oils or residues containing grease (kitchen oils, cosmetics etc.).
- items soiled with wax or other chemicals (e.g. mops and floor cloths).
- items with damaged padding or fillings (e.g. pillows, jackets).

DO NOT USE OR STORE FLAMMABLE MATERIALS IN THE APPLIANCE STORAGE DRAWER OR NEAR THIS APPLIANCE.

DO NOT SPRAY AEROSOLS IN THE VICINITY OF THIS APPLIANCE WHILE IT IS IN OPERATION.

DO NOT MODIFY THIS APPLIANCE.

- The tumble dryer is not to be used if industrial chemicals have been used for cleaning.
- Do not dry unwashed items in the tumble dryer
- Fabric softeners, or similar products should be used as specified by the fabric softener.
- For appliances with ventilation openings in the base, a carpet must not obstruct the openings.
- Items that have been soiled with substances such as cooking oil, acetone, alcohol, petrol, kerosene, spot removers, turpentine, waxes and wax removers. Use heavy-duty detergents where necessary to clean heavily soiled garments before being dried in the tumble dryer. If necessary, consult the detergent manufacturer.
- Oil affected items can ignite spontaneously, especially when exposed to heat sources such as in a tumble dryer. The items become warm, causing an oxidation reaction in the oil. Oxidation creates heat. If the heat cannot escape, the items can become hot enough to catch fire. Piling, stacking or storing oil-affected items can prevent heat from escaping and so create a fire hazard.
- If it is unavoidable that fabrics that contain vegetable or cooking oil or have been contaminated by hair care products be placed in a tumble dryer, they should be first be washed with extra detergent - this will reduce, but not eliminate, the hazard.

Warning and Safety instructions

With sensitive fabrics there may be a danger of them **self igniting** if dried for too long. They should be removed as soon as the programme has finished or if there is a power cut.

Keep a fire extinguisher near the machine at all times.

▶ The final part of a tumble dryer cycle occurs without heat (cooling down phase) to ensure that the items are left at a temperature that ensures that the items will not be damaged.

▶ Do not unload laundry from the drum **until the cooling down phase** has been completed. Hot laundry can self ignite and cause a fire when folded or put away.

▶ If this was done, remove and spread out all items quickly so that the heat is dissipated.

▶ Check that all pockets of workwear etc. are empty to avoid the danger of inflammable objects, e.g. cigarette lighters, matches, candles or cosmetics being placed in the dryer.

▶ If the dryer is installed in a public area, the owner must ensure that it can be operated safely.

Technical and electrical safety

▶ This machine must only be installed and commissioned by a Miele authorised technician.

▶ The electrical safety of this machine can only be guaranteed if connected to a correctly installed earthing system on site. It is most important that this basic safety requirement is present and tested regularly and, where there is any doubt, the on-site electrical wiring should be inspected by a qualified electrician. The manufacturer cannot be held liable for the consequences of an inadequate earthing system (e.g. electric shock).

▶ The machine is only completely isolated from the electricity supply either when it is switched off at the isolator switch or the mains fuse has been withdrawn.

▶ Repairs to electrical and gas heated appliances should only be carried out by a suitably qualified and competent person in accordance with local and national safety regulations. Repairs and other work by unqualified persons could be dangerous. The manufacturer cannot be held liable for unauthorised work.

▶ Faulty components must only be replaced by genuine Miele original spare parts. Only when these parts are fitted can the safety standards of the machine be guaranteed.

▶ This machine must not be operated in the same room as dry cleaning machines which use solvents containing chlorofluorocarbons (CFCs). Escaping vapours break down during combustion into hydrochloric acid which can have a detrimental effect on both the laundry and the machine. Even when such machines are installed in separate rooms, care should be taken to ensure that no exchange of air can take place.

▶ The dryer must have a constant supply of fresh air. Vapours containing chlorine, fluorine or other solvents must not be able to reach the dryer.

▶ The ventilation inlet to the dryer is located at the back of the machine. It must not be blocked or hindered in any way. Do not cover the machine lid with cloths or similar items.

▶ Benzine, petrol, paraffin or any easily flammable substance must not be stored or used near the tumble dryer. **Fire and explosion risk.**

▶ To ensure the correct performance of the machine and to prevent the risk of faults and fire, it is important to check the machine and carry out maintenance on a regular basis.

Use

▶ This tumble dryer must only be used when it is connected to a suitable ducting system. The installation site must be adequately ventilated.

▶ This tumble dryer is not intended for use by people with reduced physical, sensory or mental capabilities, or lack of experience or knowledge, unless they are supervised whilst using it or have been shown how to use it by a person responsible for their safety.

▶ Keep children away from the tumble dryer at all times. It is not a toy! To avoid the risk of injury, do not allow them to play on or near it or to play with the controls. Supervise children whilst you are using it.

▶ Always close the drum door and the fluff filter compartment after use to avoid:

- the risk of children hiding things in the dryer
- the risk of children and small animals climbing into the drum and endangering their lives.

▶ Do not use a machine with damaged controls or cables. These must be repaired before it is used again.

▶ Do not damage, remove or bypass the safety features, fixtures and control elements of this machine.

▶ Any removable outer panels must be back in place, and all moving or electrical parts shielded before the machine is switched on.

▶ Whilst the dryer is in use, the porthole glass and drum door frame can become very hot. Laundry will also be very hot if you remove it early.

▶ To prevent the risk of injury or scalding, components carrying steam must not be touched.

▶ Always make sure that the drum is stationary before reaching into the machine to remove laundry. Reaching into a moving drum is extremely dangerous.

▶ Take care near the drum door hinges and the fluff filter compartment flap. Danger of injury. Ensure that you always use the handles.

▶ The drum door must be able to be opened to its fullest extent. This area must not be restricted by doors or structural features.

▶ Do not use the machine without the built-in fluff filter in place. **Fire risk.**

A damaged fluff filter must be replaced before the machine is used again.

Otherwise fluff and lint will cause a blockage in the airways, the heating and the vent ducting, and the correct functioning of the machine cannot be assured.

▶ Cleaning and disinfecting agents often contain chlorine-based substances. Do not let such agents come into contact with the stainless steel surfaces, as the chlorine can have a corrosive effect and cause rust. Use chlorine-free agents for washing and disinfecting and also for cleaning stainless steel surfaces to protect them from corrosion. If in doubt, confirm with the manufacturer that their product is suitable. If any agent containing chlorine comes into contact with the stainless steel surfaces, wipe it away immediately with clean water. Then dry with a soft cloth.

▶ Do not use a pressure washer or hose to clean the machine.

Gas heated dryers

▶ The gas mains connection point and the gas connection to the machine should be switched off for all cleaning and maintenance work and in the event of a fault.

▶ **Warning.** After commissioning the machine, and after any maintenance, conversion or repair work all components carrying gas from the gas tap to the burners should be tested for leakage. Test points on the gas tap and the burner are particularly important. The machine should be tested with the burner switched on and switched off.

Using accessories

▶ Accessory parts may only be fitted when expressly approved by Miele. If spare parts or accessories from other manufacturers are used, this will invalidate the warranty, and Miele cannot accept liability.

Disposing of your old machine

▶ Before disposing of an old machine, first make the door lock unusable. This way you will prevent children from accidentally locking themselves in and endangering their lives.

Keep these instructions in a safe and accessible place.

Caring for the environment

Disposal of the packing material

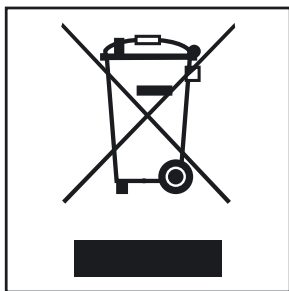
The transport and protective packing has been selected from materials which are environmentally friendly for disposal.

Rather than just throwing these materials away, please ensure they are recycled.

⚠ Ensure that any plastic wrappings, bags, etc. are disposed of safely and kept out of the reach of babies and young children. Danger of suffocation.

Disposing of your old machine

Electrical and electronic machines often contain materials which, if handled or disposed of incorrectly could be potentially hazardous to human health and to the environment. They are, however, essential for the correct functioning of your machine. Please do not therefore dispose of it with your household waste.



Please dispose of it at your local community waste collection / recycling centre or contact your Dealer for advice. Ensure that it presents no danger to children while being stored for disposal.

See the "Warning and Safety" section of this booklet for further details.

Tips on saving energy

Make sure that your laundry is thoroughly spun before drying. This saves time and energy.

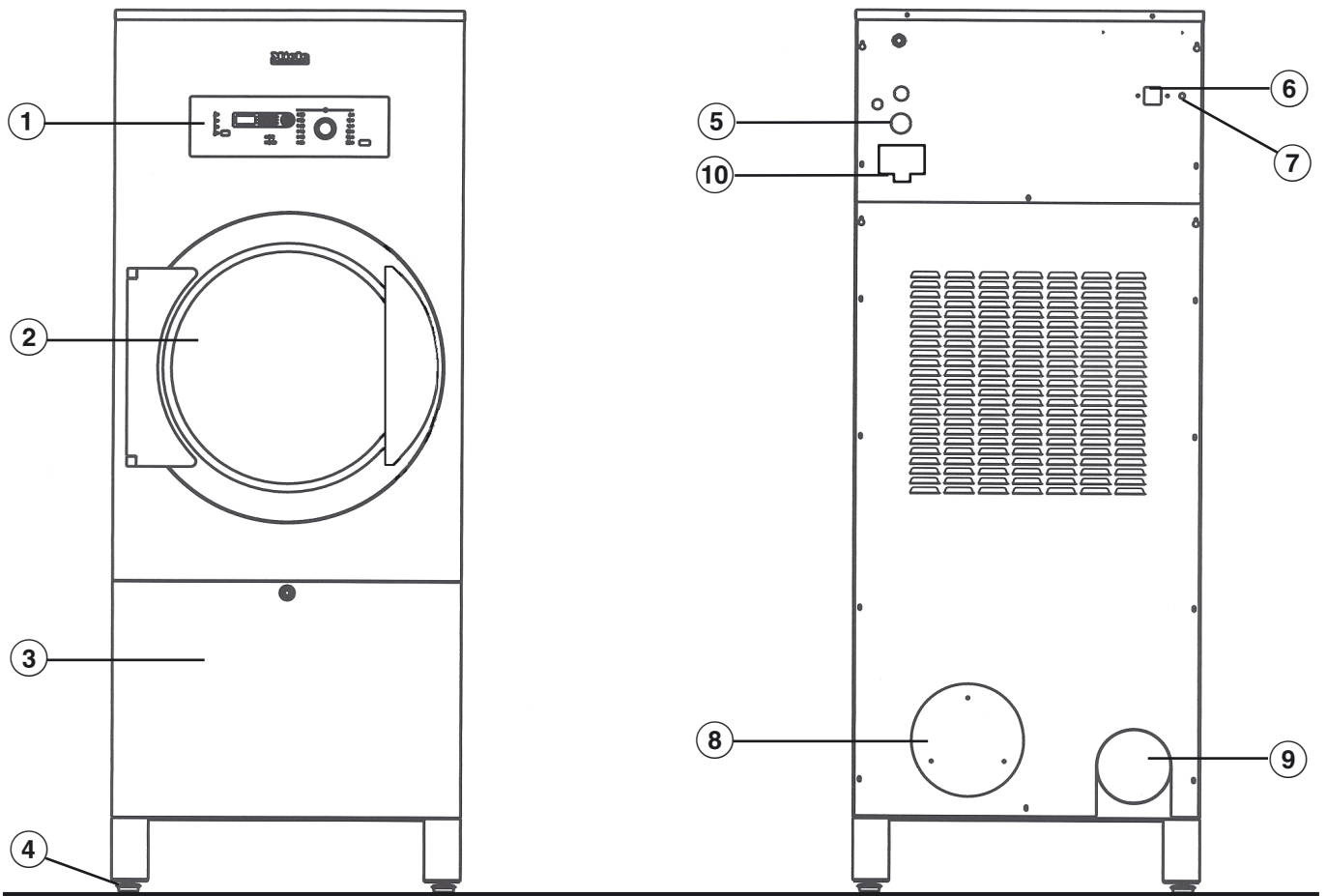
Rinsing the laundry using hot water in the final rinse helps to reduce the residual moisture level, and the residual heat in the laundry will help keep processing time down, thus saving energy.

Sort textiles according to:

- fabric and weave,
- drying level required,
- residual moisture levels.

For greater economy dry a full load. Underloading is uneconomical. Overloading will impair the drying result and the laundry finish.

Ensure that the room is well ventilated.



① **Control panel**

② **Drum door**

Pull the door handle to open the drum door.

③ **Access to fluff filter**

The fluff filter is opened with a key.

④ **4 adjustable screw feet**

⑤ **Electrical connection**

⑥ **Gas connection**

⑦ **Gas heating indicator light**

This comes on when the heating is in operation.

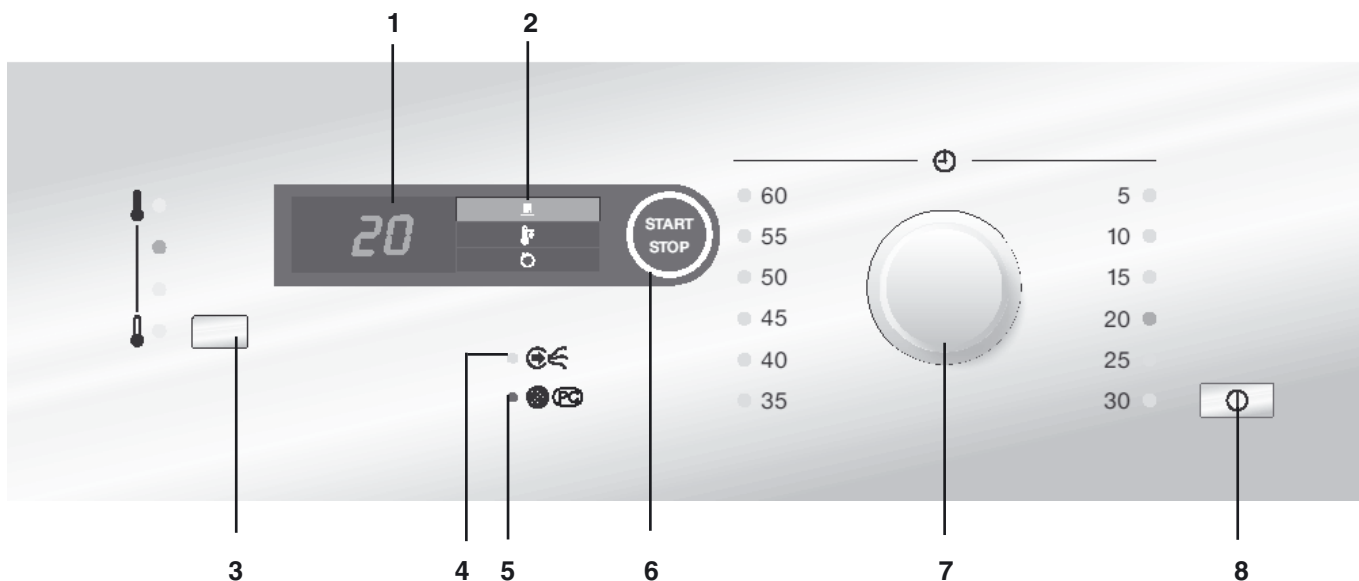
⑧ **Air intake**

⑨ **Exhaust connection**

⑩ **Communication slot (optional)**

Description of tumble dryer PT 8301

Control panel PT 8301 Profitronic B Timed programmes



- 1 Segment display - Time
- 2 Programme sequence display
- 3 Temperature selection button
- 4 Venting system fault indicator
- 5 Fluff filter fault indicator
- 6 START/STOP button
- 7 Time selection rotary dial
- 8 On/Off switch

Mains On/Off switch ①

Switches the machine on or off.

Temperature selection button

For setting the required drying temperature - **Cold, Low, Medium, High**. The corresponding LED will light up.

Time selection rotary dial ②

Programme durations of up to 60 minutes can be selected in five minute stages from 5 to 60 minutes to suit different fabric types and depending on how the laundry is to be further processed. The corresponding LED will light up. The drying duration can also be altered during the drying process.

START/STOP button

Press the Start/Stop button to start or stop the drying programme.

Segment display

Before the start of a programme, this shows the selected drying duration in minutes.

After the start of a programme, it shows the time left to the end of the programme.

It also shows fault messages, see "Problem solving guide".

It can also show *h* for "Peak load cut-out" (optional).

Programme sequence display

The programme sequence is displayed in three stages. The stage the programme is at will be highlighted in yellow.

☁	Drying
🔽	Cooling down
🔄	Programme finished / Anti-crease

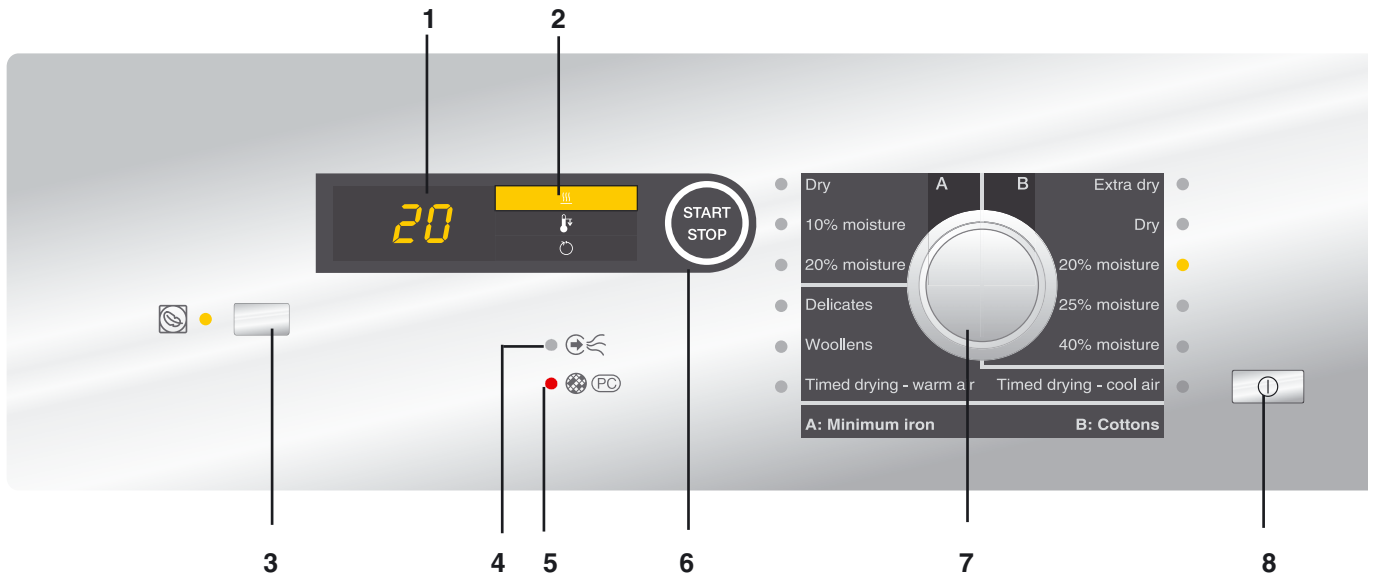
Check venting system 🌀 fault indicator

This will light up if there is a problem with the venting system.

Clean the fluff filter 🌀 fault indicator

This will light up when the fluff filter needs to be cleaned.

Control panel PT 8303 Profitronic B Plus Residual moisture programmes



- 1 Segment display - Residual moisture
- 2 Programme sequence display
- 3 Low temperature (additional option) button
- 4 Venting system fault indicator
- 5 Fluff filter fault indicator
- 6 START/STOP button
- 7 Programme selection rotary control
- 8 On/Off switch

Mains On/Off switch

Switches the machine on or off.

Low temperature (additional option) button

Lowers the drying temperature (by approx. 20°C). Use for delicate fabrics (e.g. synthetics). The LED will light up.

Programme selection rotary control

For selecting the drying programme.

A: Minimum iron	B: Cottons
Dry	Extra dry
10% moisture	Dry
20% moisture	20% moisture
Delicates	25% moisture
Woollens	40% moisture
Timed drying warm air	Timed drying cool air

START/STOP button



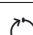
Press the Start/Stop button to start or stop the drying programme.

Segment display

Before the start of a programme, this shows the residual moisture which has been allocated to the programme as a %. After the start of a programme, it shows the residual moisture which is currently in the laundry until the programme is finished. It also shows fault messages, see "Problem solving guide". It can also show *h* for "Peak load cut-out" (optional).

Programme sequence display

The programme sequence is displayed in three stages. The stage the programme is at will be highlighted in yellow.

	Drying
	Cooling down
	Programme finished / Anti-crease

Check venting system fault indicator

This will light up if there is a problem with the venting system.

Clean the fluff filter fault indicator

This will light up when the fluff filter needs to be cleaned.

Drying


Sort the laundry

Not all textiles are suitable for machine drying. Please read the instructions given on the garment care label.

The meaning of the care symbols:

 = Dry at normal temperature

 = Dry at low temperature

 = Do not tumble dry

Sort the laundry according to fibre type and weave to ensure even drying and to prevent the risk of damage to textiles.

⚠ To prevent the risk of fire, the following must not be dried in this tumble dryer (with the exception of those fabrics which can be dried in the Special Programmes specifically designed for them):

- fabrics which contain a large proportion of rubber, foam rubber or rubber-like materials.
- items which have been treated with inflammable cleaning agents.
- items which have been splashed with hair lacquer, hair spray, nail varnish remover or similar substances.
- items which have been soiled with oils or residues containing grease (kitchen oils, cosmetics etc.).
- items soiled with wax or other chemicals (e.g. mops and floor cloths).
- items with damaged padding or fillings (e.g. pillows, jackets).
- items soiled with grease or oil which have not been properly cleaned beforehand. Use heavy-duty detergents where necessary to clean heavily soiled garments, e.g. workwear. If necessary consult the detergent manufacturer for advice.

The following textiles should not be machine dried:

Woollens and wool blends as these tend to matt and shrink. Partially dry these using the "Woollens" programme.

Pure linen tends to roughen if tumble dried. Please follow instructions given on the care label.

Important:

Textiles with large metal accessories such as buckles, hooks and zip tags should be placed in a laundry bag or a pillow case before drying. This is to protect the drum from scratches and dents during drying.

Garments with closed metal zips can cause the sensor electrodes in the drum ribs to be bridged.

This can cause the drying process to go on for too long, or to not finish at all. Open zips before drying.

Loopknit and woven textiles (e.g. T-shirts and underwear) have a tendency to shrink depending on their quality. This is made worse by over-drying. Do not use "Cottons extra dry" for these textiles.

Starched laundry can be machine dried. Select the most appropriate programme for ironing by hand or machine.

Sort the laundry according to the level of dryness required. It is not necessary to sort according to size.

Duvet covers and pillow cases should be closed to prevent smaller items rolling up inside them.

For greater economy, dry a full load. Underloading is uneconomical. Overloading will impair the drying result and the laundry finish.

Rinsing the laundry using hot water in the final rinse helps to reduce the residual moisture level, and the residual heat in the laundry will help keep processing time down, thus saving energy.

This machine must only be installed and commissioned by a Miele authorised technician.

Before using for the first time

Before loading the dryer with laundry, wipe the internal drum surface with a soft, dry cloth.

Switching the dryer on and loading the drum

- Open the on-site gas tap (only applicable for gas heated dryers).
- Switch on the on-site mains electricity switch.
- Press the mains On/Off switch ①.
- Open the drum door.
- Load the drum.
The pre-sorted laundry should be loaded loosely in the drum.

Make sure any dispensing aids such as detergent balls have been removed from the laundry.

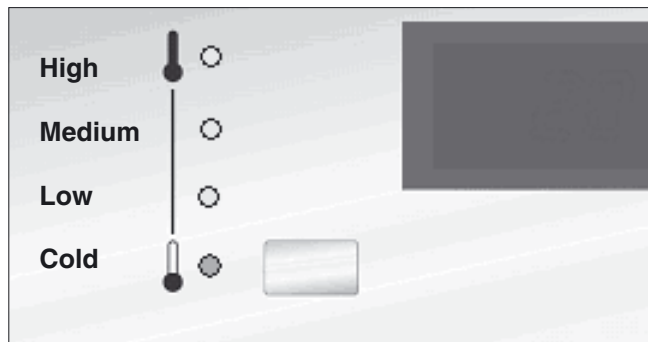
Max. load (dry weight of laundry)

PT 8301, PT 8303
Drum volume in litres 300
Cottons
12-15 kg
Minimum iron
8.0 kg
Delicates
3.0 kg
Woollens
6.0 kg

To prevent the risk of damaging laundry, make sure it cannot be trapped when the door is closed.

- Close the drum door.

Selecting a temperature



- Press the temperature selection button and select the required drying temperature - **Cold, Low, Medium, High**.
The corresponding LED will light up.

Cottons

Cotton and linen fabrics can be dried at any temperature, including **High**.

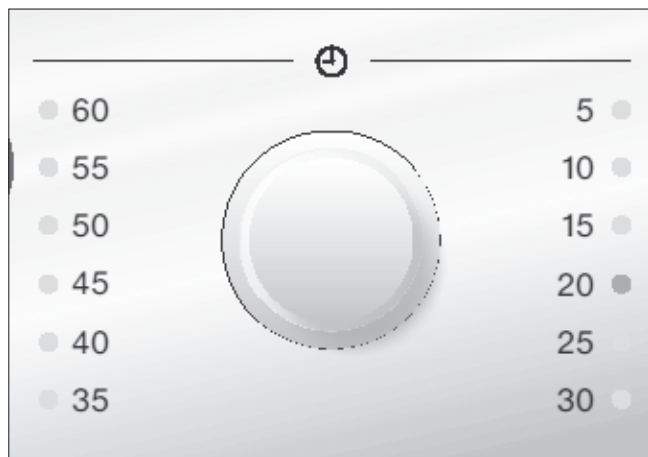
Minimum iron

Synthetic and mixed fibre fabric can be dried at a maximum of **Medium**.

Delicates Dry synthetic and rayon fabric using the **Low** temperature setting.

Use the **Cold** setting for airing textiles.

Selecting a drying duration



- Set the drying duration you require with the ⌚ Time selection rotary dial.
The corresponding LED will light up.

The segment display shows the selected programme duration in minutes.

- Press the START/STOP button.
The drying programme will begin.

The segment display shows the time left until the end of the programme in minutes.

	Drying
	Cooling down
	Programme finished / Anti-crease

The programme sequence is displayed in three stages. The stage the programme is at will be highlighted in yellow.

At the end of the programme

At the end of the programme a buzzer will sound to indicate that it has finished. "D" will appear in the segment display.

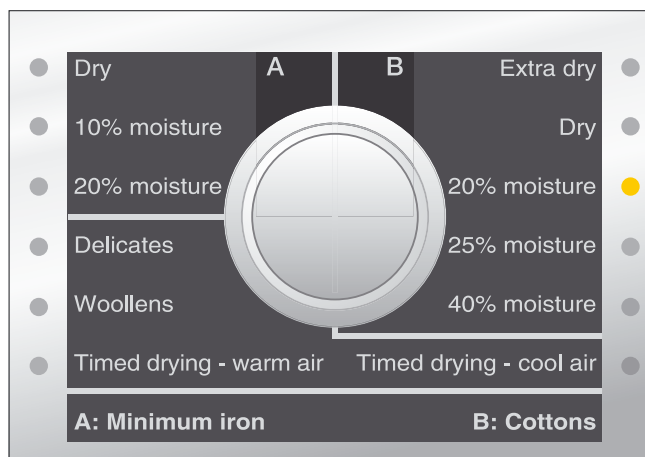
This is followed by a cooling-down phase.

	Drying
	Cooling down
	Programme finished / Anti-crease

If laundry is not removed as soon as the programme finishes, the anti-crease phase will begin.

The drum will rotate at brief intervals to keep the laundry from creasing.

Selecting a programme



- Use the programme selector rotary dial to select the programme you want. The corresponding LED will light up.

The segment display shows the residual moisture which has been allocated to the programme as a %.

Cottons

For drying cotton and linen fabrics

- **Extra dry** 0% residual moisture + 10 mins
- **Dry** 0% residual moisture
- **20% moisture** 20% residual moisture
- **25% moisture** 25% residual moisture
- **40% moisture** 40% residual moisture

Minimum iron

For drying synthetic and mixed fibre fabric

- **Dry** 0% residual moisture
- **10% moisture** 10% residual moisture
- **20% moisture** 20% residual moisture

Delicates 20% residual moisture

For drying synthetic and rayon fabric.

Woollens 5 minute drying duration

For drying machine washable woollen and wool blend garments.

Timed drying warm air 20 minutes drying duration at a high temperature.

Timed drying cool air 15 minute duration for airing garments.

Lowering the temperature

- When drying delicate fabric (such as acrylic), press the Low temperature additional option button.
- Press the START/STOP button. The drying programme will begin.

The segment display will show the residual moisture which is currently in the laundry until the programme is finished.

	Drying
	Cooling down
	Programme finished / Anti-crease

The programme sequence is displayed in three stages. The stage the programme is at will be highlighted in yellow.

At the end of the programme

At the end of the programme a buzzer will sound to indicate that it has finished. " " will appear in the segment display.

This is followed by a cooling-down phase.

	Drying
	Cooling down
	Programme finished / Anti-crease

If laundry is not removed as soon as the programme finishes, the anti-crease phase will begin.

The drum will rotate at brief intervals to keep the laundry from creasing.

After drying

At the end of the programme

- Open the drum door.

If the door remains closed, the dryer will start up again briefly after an interval of 30 minutes for safety reasons.

- Unload the drum.
Make sure nothing is left behind in the drum. If items are left in the dryer, they could be damaged by overdrying when the dryer is next used.
- Check the fluff filter and clean it if necessary. Close the fluff filter compartment flap to prevent anyone tripping over it.

Interrupting a programme

The programme is interrupted by:


- pressing the mains On/Off switch ①,
- opening the drum door,
- opening the fluff compartment flap.

To continue the programme:

Press the mains On/Off switch ①, or close the drum door or fluff compartment flap.


The remaining drying duration or the target residual moisture level will flash in the segment display, and a cooling-down phase will follow the end of the programme.

- Press the START/STOP button.

 Do not unload laundry from the drum until **after the cooling down phase** has been completed. Hot laundry can self-ignite and cause a fire when folded or put away.

Adding or removing items

The drum door can be opened during a drying programme to remove or add items if necessary.

 Always make sure that the drum is stationary before reaching into the machine to remove laundry. Reaching into a moving drum is extremely dangerous.

To continue the drying programme:

- Close the drum door.

The remaining drying duration or the target residual moisture level will flash in the segment display.

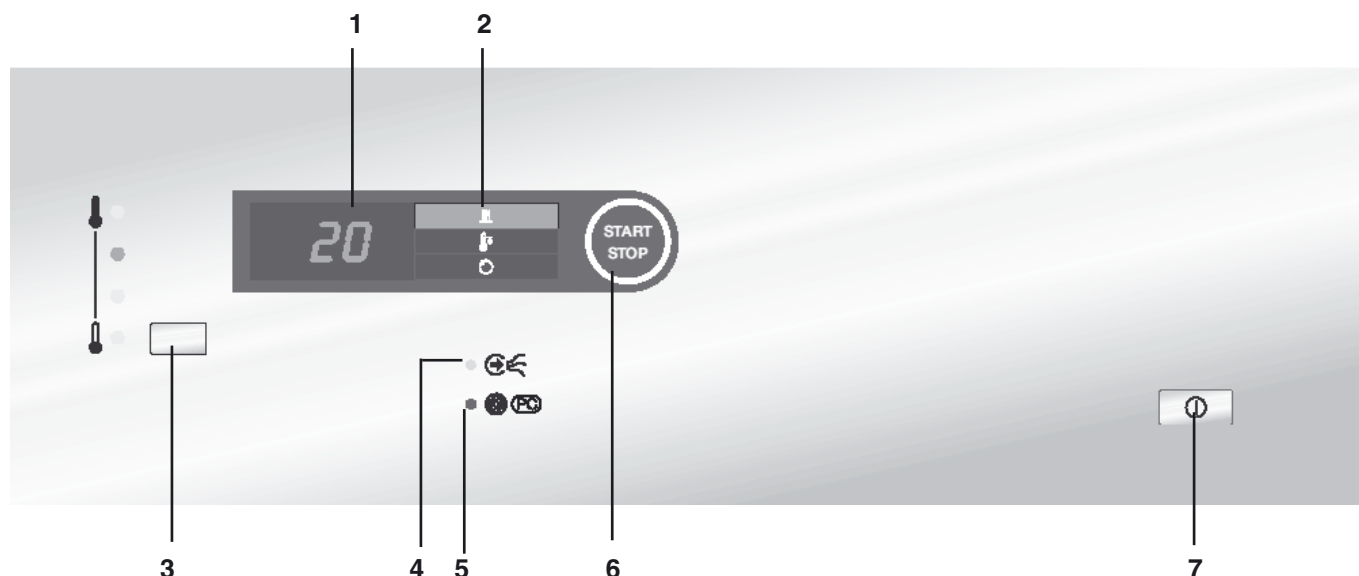
The fan will switch itself on automatically if the temperature in the drum is too high.

- Press the START/STOP button to continue the programme.

If no more laundry is to be processed:

- Close the drum door.
- Switch the dryer off by pressing the mains On/Off switch ①.
- Switch off the on-site mains electricity switch.
- Close the on-site gas tap (only applicable for gas heated dryers).

Control panel PT 8301 Profitronic B COP (Coin Operation)

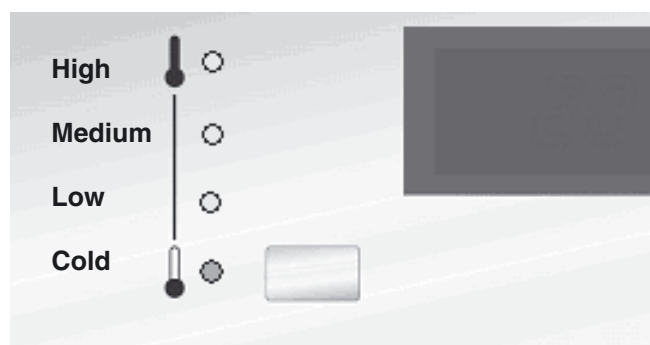


- 1 Segment display - Time 2 Programme sequence display 3 Temperature selection button
 4 Venting system fault indicator 5 Fluff filter fault indicator 6 START/STOP button 7 On/Off switch

Time selection can be controlled by a **C 4065** or **C 4070 coin control unit** or other type of payment system.

- Press the mains On/Off switch ①
- Load the drum and close the door.

Select a temperature



- Press the temperature selection button and select the required drying temperature - **Cold, Low, Medium, High**.
The corresponding LED will light up.

- Cold** For **airing** textiles
- Low** **Delicates**, synthetic fibre and rayon fabric
- Medium** **Minimum iron**, synthetic and mixed fibre fabric
- High** **Cottons**, cotton and linen fabric

- Insert coins or tokens.

The START/STOP button will start flashing.

- Press the START/STOP button.

At the end of the drying duration

	Drying
	Cooling down
	Programme finished / Anti-crease

At the end of the drying duration the "Drying" and "Programme finished" programme sequence stage symbols will flash. "Cooling down" will light up and the cooling down phase will begin.

- Remove the laundry (the laundry will still be hot).

	Drying
	Cooling down
	Programme finished / Anti-crease

At the end of the cooling down phase all three programme stage symbols will flash and the buzzer will sound.

- Remove the laundry.

Interrupt the programme by opening the drum door or the fluff filter compartment flap:

- Continue the programme by closing the drum door/fluff filter compartment flap and pressing the START/STOP button.

Short operating instructions which can be used as a wall chart are supplied with the dryer.

Reprogramming individual drying programmes (Changing the Standard options)

Individual drying programmes can be altered to suit specific requirements, practices and processes.

If the machine is connected to a payment system (coin operation) it is not possible to reprogramme the Standard options.


Before you begin, first ensure that:

- The dryer is switched off with the "On/Off" switch.
- The door is closed.

To access the programming level:

- Press and hold the "START/STOP" button and switch the dryer on with the "On/Off" switch.
- Hold the START/STOP button pressed in until the light around the button stops flashing and lights up constantly.
- Release the START/STOP button.
- *P* will flash alternately with *1* in the segment display.

Programmable functions P 1- P 27 (see next page) are selected by turning the rotary dial clockwise.

They can also be selected by pressing the Temperature selection button (PT 8xx1) or the Low temperature additional option button  (PT 8xx3).

Programmable options, e.g. *0* or *1* are selected with the START/STOP button.

The Temperature selection LED on time controlled machines (Profitronic B and B COP) or the Low temperature additional option LED on residual moisture controlled machines (Profitronic B Plus) shows which programmable function is currently selected.

A short (quick) flash represents one unit, a long (slow) flash represents ten units.

Example: The 5th Programmable function is represented by the LED flashing five times quickly. The 10th Programmable function is represented by the LED flashing once slowly. Programmable function 45 is represented by the LED flashing four times slowly and five times quickly.

Example of reprogramming PT 8301 Profitronic B Timed programme machines

P 4 to alter the acoustic tone when a button is pressed (see "Programmable functions").

- Turn the time selection rotary dial three clicks clockwise.
- The Temperature selection LED will flash four times quickly.
- *P* will flash alternately with *0* in the segment display (factory default).

Programmable option *0* = Off - *1* = On.


- Pressing the START/STOP button will change the option to *1*.

To save the setting:

- Switch the dryer off with the "On/Off" switch.

Example of reprogramming PT 8303 Profitronic B Plus Residual moisture programme machines

P 2 to alter the buzzer which sounds at the end of the programme (see "Programmable functions").

- Turn the programme selection rotary dial one click clockwise.
- The Low temperature option LED  will flash twice quickly.
- *P* will flash alternately with *1* in the segment display.

Programmable option *0* = Off - *1* = On.

- Pressing the START/STOP button will change the option to *0*.

To save the setting:

- Switch the dryer off with the "On/Off" switch.




Programmable functions

No.	Programmable function	Standard	Programmable option
P 1	Buzzer volume	1	0 = quiet 1 = loud
P 2	Buzzer at the end of the programme	1	0 = Off 1 = On
P 3	Memory function	1	0 = Off 1 = On
P 4	Acoustic tone which sounds when a button is pressed	0	0 = Off 1 = On
P 5*	Water conductivity setting	0	0 = Normal 1 = Low
P 6	Fan and heating during pauses	1	0 = Off 1 = On
P 7	Cottons and Timed progs. cold/hot reversing on (0 to 99 secs)	60	0 = 0 sec 99 = 99 secs
P 8	Cottons and Timed progs. cold/hot reversing off (3 to 99 secs)	3	3 = 3 secs 99 = 99 secs
P 9	Minimum iron reversing on (0 to 99 secs)	60	0 = 0 secs 99 = 99 secs
P 10	Minimum iron reversing off (3 to 99 secs)	3	3 = 3 secs 99 = 99 secs
P 11	Woollens duration (1 to 99 mins)	5	1 = 1 min 99 = 99 mins
P 12	Woollens programme reversing on (0 to 99 secs)	20	0 = 0 secs 99 = 99 secs
P 13	Woollens reversing off (3 to 99 secs)	10	3 = 3 secs 99 = 99 secs
P 14	Delicates reversing on (0 to 99 secs)	27	0 = 0 secs 99 = 99 secs
P 15	Delicates reversing off (3 to 99 secs)	3	3 = 3 secs 99 = 99 secs
P 16	Timed programme cold (1 to 99 mins)	15	1 = 1 min 99 = 99 mins
P 17	Timed programme warm (1 to 99 mins)	20	1 = 1 mins 99 = 99 mins
P 19*	Residual moisture for Programme 1 Cottons Extra dry	1	1 = -2% 2 = -4% 0 = 0%
P 20*	Residual moisture for Programme 2 Cottons Dry	1	1 = 0% 2 = -2% 0 = 2%
P 21*	Residual moisture for Programme 3 Cottons 20% moisture	1	1 = 20% 2 = 18% 0 = 22%
P 22*	Residual moisture for Programme 4 Cottons 25% moisture	1	1 = 25% 2 = 23% 0 = 27%
P 23*	Residual moisture for Programme 5 Cottons 40% moisture	1	1 = 40% 2 = 38% 0 = 42%
P 24*	Residual moisture for Programme 9 Delicates	1	1 = 20% 2 = 18% 0 = 22%
P 25*	Residual moisture for Programme 10 Minimum iron 20% moisture	1	1 = 20% 2 = 18% 0 = 22%
P 26*	Residual moisture for Programme 11 Minimum iron 10% moisture	1	1 = 10% 2 = 8% 0 = 12%
P 27*	Residual moisture for Programme 12 Minimum iron Dry	1	1 = 0% 2 = -2% 0 = 2%
P 45	Temperature stages for COP version (The setting will be available after the machine is connected to the electricity supply. Can be altered via the temperature selection button).	2	0 = Cold, 1 = Low, 2 = Medium, 3 = High


*** (only for PT 8xx3 machines with Profitronic B Plus Controls)**

Problem solving guide

Error messages

Indicator	Possible cause	Remedy
	Over-pressure in vent ducting. Leaks in the airways.	Check the vent ducting. Call the Miele Professional Service Department.
	Fluff filter blocked	Clean the fluff filter.
The dryer does not start.	The fluff filter compartment flap is not closed properly.	Twist the lock for the fluff filter compartment flap in a clockwise direction as far as it will go.
	Gas burner malfunction	Press the START/STOP button.

Other messages

	Peak load cut-out The dryer will continue to run without heating (cold) for the remainder of the programme.	If the peak load cut-out is overridden, the programme will continue as normal.
--	--	--

In the event of any of the following faults, please contact the Miele Professional Service Department:

- excessive noise
- there is a gaseous or burning odour
- the tumble dryer does not start after cleaning, or after several attempts at starting it
- the drying time is excessively long
- the laundry does not dry
- the fluff filter is damaged
- the door seal is damaged
- the door lock is damaged
- any accessories are damaged

When contacting the Professional Service Department, please quote the Model, Serial number (SN:) and Material number (M.Nr) of your dryer.

See data plate for details:

Model			
SN:	/ 0 0 0 0 0 0 0 0		
Art.-Nr.	Mat -Nr.		
IBN			


The data plate is located at the top of the door aperture with the door open or at the top of the rear of the machine.

Fluff filter

⚠ Do not use the machine without the fluff filter in place. **Fire risk.**

A damaged fluff filter must be replaced before the machine is used again.

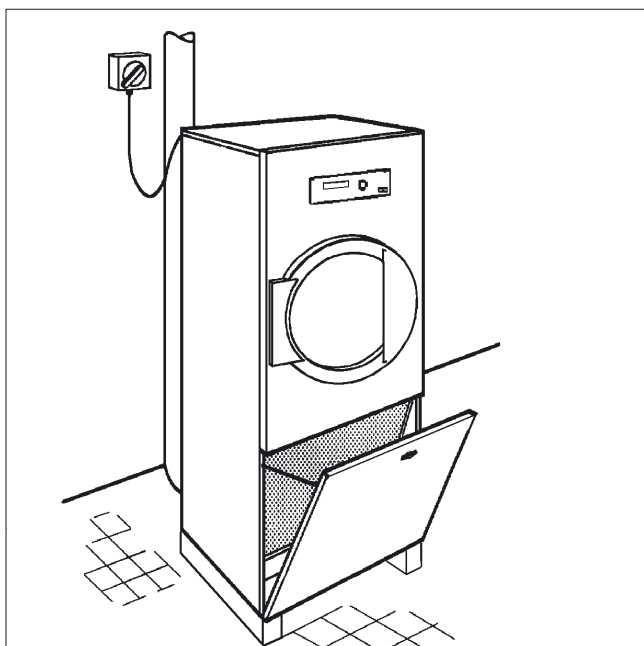
Otherwise fluff and lint will cause a blockage in the airways, the heating and the vent ducting, and the correct functioning of the machine cannot be assured.

The fluff filter collects any fluff and lint from the laundry. It should be cleaned at least once a day and when the  indicator comes on.

If there is a large amount of fluff and lint, the filter will need frequent cleaning.

Lint must not be allowed to accumulate around the tumble dryer.

The fluff filter must not be removed. When cleaning it, do so with care and make sure it does not get damaged.



- Open the fluff compartment flap.
- Wipe fluff off the filter by hand. Never use pointed or sharp edged objects to do this.

Tumble dryer

Before any cleaning or maintenance, switch the dryer off at the on-site mains switch.

With gas heated dryers the gas connection must also be switched off, both at the mains and at the machine. With steam heated dryers the steam supply cut-off valve must be closed.

⚠ Do not use a pressure washer or hose to clean the machine.

- The housing, control panel and any plastic components should be cleaned using a **suitable mild** cleaning agent, applied with a soft damp cloth. Rub dry with a soft cloth after cleaning.
- If starched laundry has been dried, the drum should be wiped out with a damp cloth afterwards.

Do not clean the machine with abrasive cleaning agents.

After cleaning, check the seals for any damage and make sure the door and fluff compartment flap shut correctly.

The **ventilation inlet** to the dryer is located at the back of the machine. It must not be blocked or hindered in any way. Do not cover the machine lid with cloths or similar items.

The area surrounding the machine, in particular around the air inlet, must be kept free of dust and fluff at all times. If taken into the dryer, they can cause faults with the machine.

Adequate ventilation has to be provided to avoid the back flow of gases into the room from appliances burning other fuels, including open fires.

Exhaust air of electric dryers must not be discharged into a flue which is used for exhausting fumes from appliances burning gas or other fuels.

The following should be checked and cleaned **once a year** by a Miele authorised service technician:

- The burners and burner compartment on gas-heated dryers, the heaters and heater shaft on electric-heated dryers.
- The entire interior of the dryer
- The fins on the exhaust fan

⚠ To ensure the correct performance of the machine and to prevent the risk of faults and fire, it is important to check the machine and carry out maintenance on a regular basis.

Installation and connection

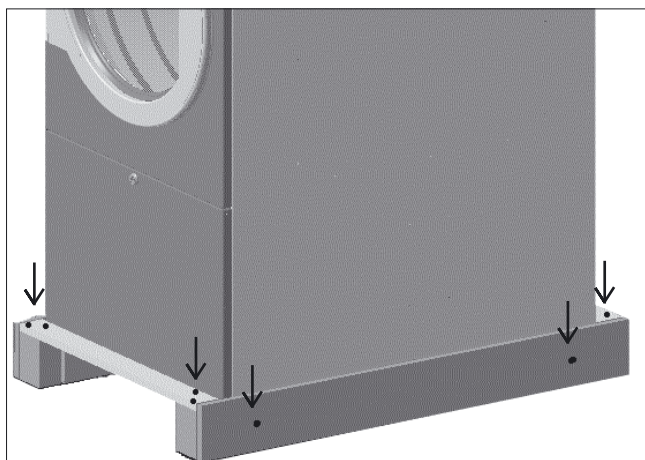
This dryer must only be installed and commissioned by a Miele authorised technician.

This appliance must be installed in accordance with local and national safety and building regulations by a suitably qualified engineer. It must only be operated in a room with sufficient ventilation.

Read the instructions supplied with the appliance before installing and using it for the first time.

Do not install the tumble dryer in a room where there is a risk of frost occurring.

Use a suitable fork-lift to transport the dryer to its final location. **Caution. Danger of tipping.**



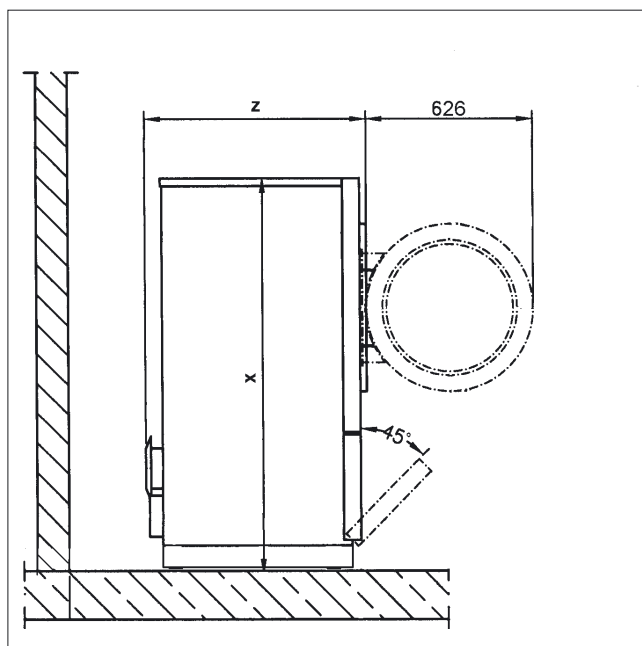
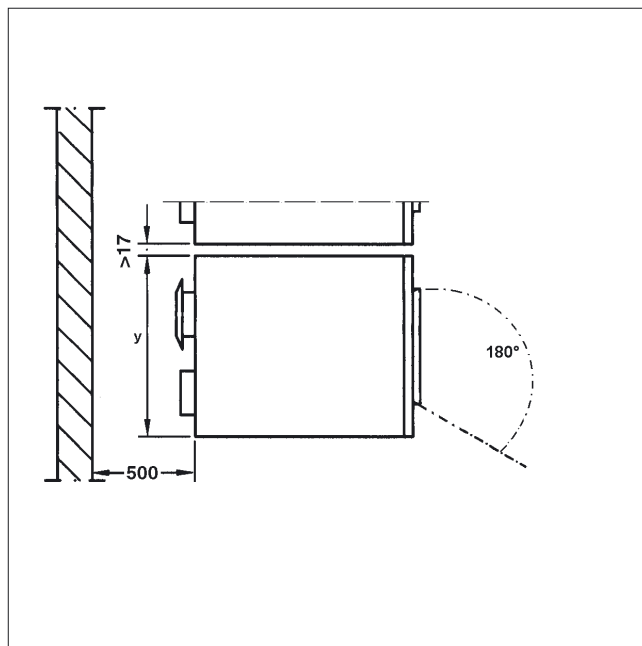
Remove the transport packaging. Unscrew the Torx T 20 and 30 screws on the wooden pallet and remove the wooden battens.

Using a suitable fork-lift, raise the dryer and fit the four feet supplied.

To ensure suitable access for future maintenance and service work, please ensure that the minimum distances between the dryer and the wall specified on the installation diagram are strictly observed.

A gas appliance shall be installed such that the surface temperature of any nearby combustible surface will not exceed 65 °C above ambient.

The appliance must not be installed behind a lockable door, a sliding door or a door with a hinge on the opposite side to that of the tumble dryer, in such a way that a full opening of the tumble dryer is restricted.

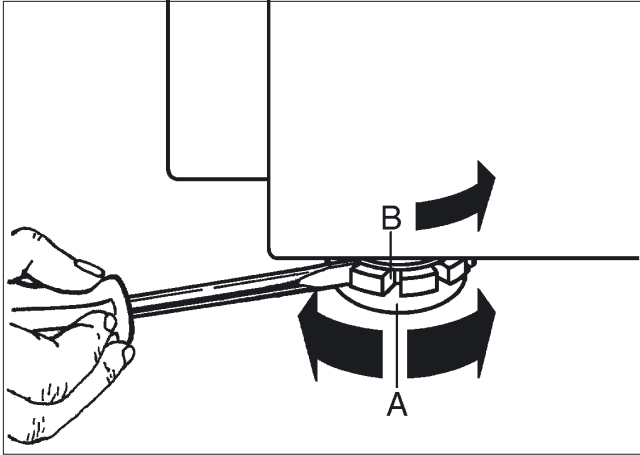


	PT 830x
x	1800 mm
y	710 mm
z	1090 mm

Levelling the appliance


The dryer does not require a plinth. However, make sure that any uneven areas of the floor are made level.

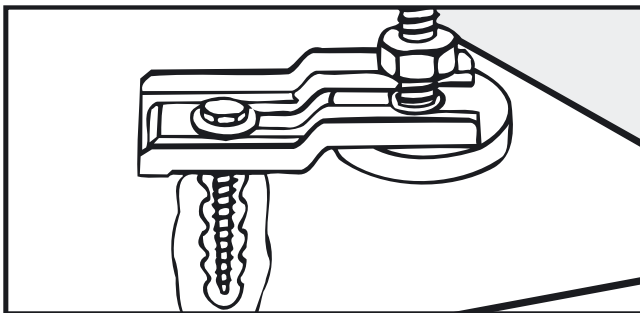
The dryer must be perfectly level to ensure that it functions correctly.



The screw feet **A** can be adjusted to align it.

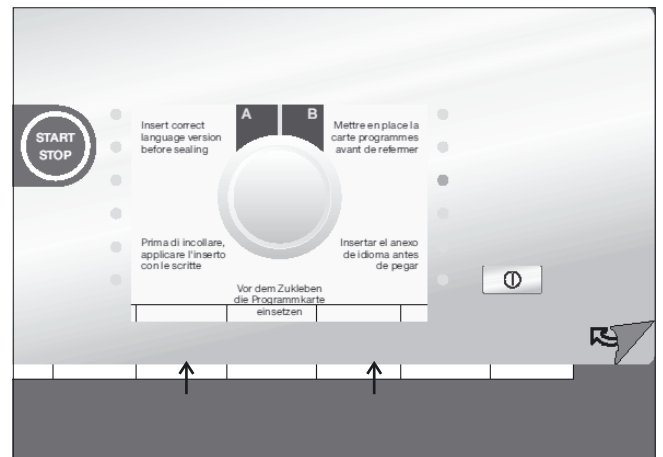
After aligning the dryer correctly, you need to use a screwdriver to secure discs **B** to the floor plate.

 Gas-heated dryers **must** be secured using clamps.



- Secure the front feet of the dryer with the clamps supplied.
- Follow the fitting instructions supplied.

To fit the language insert (programme selection) (PT 8303 only)



Remove the protective cover on the control panel. Carefully lift up the lower area of the control panel cover underneath the programme rotary dial slightly. Push in the language insert and align it. Remove the dividers which are located underneath and press the control panel cover down.

Reducing the noise level

This dryer is fitted with an exhaust fan which can be heard during operation.

If this noise disturbs you, it is possible to fit a silencer (available from Miele as an optional accessory) into the dryer's exhaust duct (see Installation instructions).

Payment system

All COP models are fitted with a connection for a coin control unit.

Empty the coin box every day. This prevents too many coins or tokens collecting in the coin box, which could lead to the dryer breaking down.

Communication module XKM RS232

This dryer can fitted with a communication module which enables it to be linked to a PC via a serial interface.

The slot for the communication module is located on the rear of the dryer.

An editor programme is available from Miele.

Installation and connection

Electrical connection

The electrical components of this dryer comply with IEC 335-1 and IEC 335-2-11.

The electrical connection may only be carried out by a suitably qualified technician in accordance with local and national safety regulations.

Please observe the wiring diagram supplied.

Please ensure that the voltage and frequency of the dryer as quoted on the data plate comply with the on-site supply.

Connection should be made via a suitable isolator which complies with local and national safety regulations and in accordance with the wiring rules and which is easily accessible for disconnecting the dryer from the electricity supply. Provision must be made on-site to switch off all poles. Switches with a minimum all-pole contact gap greater than 3 mm are suitable for isolating the appliance. These include circuit breakers, fuses and relays (IEC/EN 60947).

If the appliance is disconnected from the electricity supply, ensure adequate measures are taken to ensure that the appliance cannot be reconnected to the electricity supply until all work has been carried out.

After the dryer has been connected to the electricity supply, check the phase rotation on the incoming power supply to the appliance.

If the mains connection cable is damaged, it must be replaced by the manufacturer, its service agent or similar qualified persons in order to avoid a hazard.

Equipotential bonding


Equipotential bonding must be carried out if required.

Air inlet and exhaust connection

This dryer must only be used when it is connected to a suitable ducting system. The installation site must be adequately ventilated. See the installation instructions supplied.

Gas connection


This work must be carried out by an authorised person in accordance with local and national safety regulations. See the installation instructions supplied.


 The earth lead (N) and phase conductor (L) must be connected to the correct connectors. Take care not to connect them the wrong way round!

The gas group to which the dryer has been set at the factory is given on the Gas Data label on the rear of the dryer.

If the appliance is converted for a different gas group, or to liquid gas, a conversion kit is required. This is available from the the Miele Spare Parts Department. When ordering, please quote the model and serial number of the appliance, as well as the gas type, group and connection pressure in the country of installation.

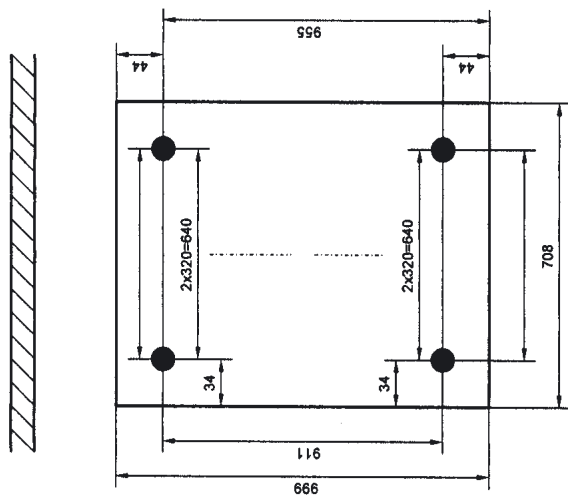
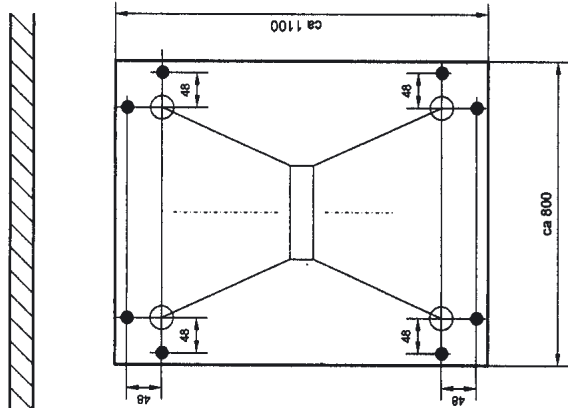
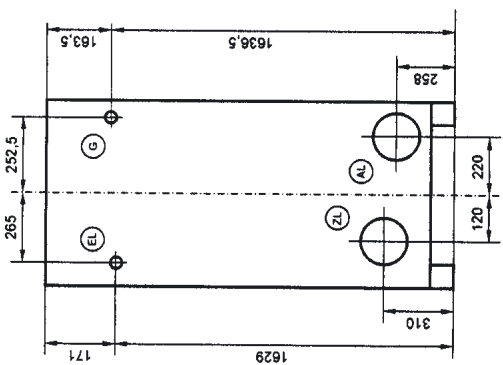
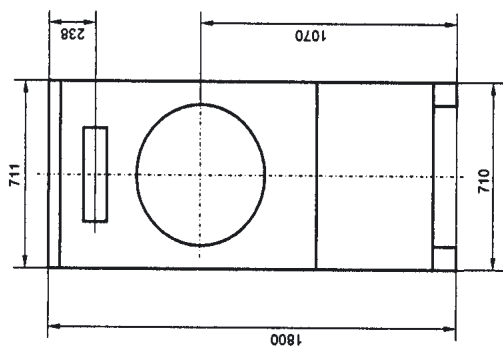
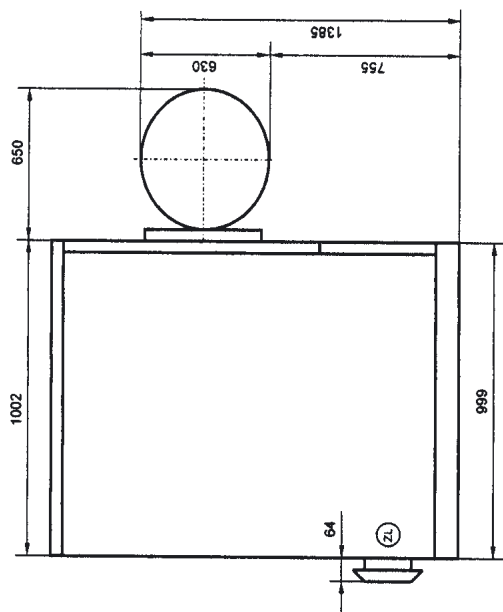
Please follow the installation instructions carefully. To ensure safety, any conversion work must only be carried out by an authorised technician.

 Do not attempt to repair or work on gas-heated appliances yourself. Repairs must only be carried out by an authorised technician to ensure safety. In the event of a fault please contact the Miele Professional Service Department.

 After setting up and connecting the appliance, ensure that all outer casing parts are correctly fitted back into position.

Model	PT 830x EL/G
Height in mm	1800
Width in mm	710
Depth in mm	1063
Depth with door open in mm	1716
Weight in kg	138.8/145.4
Drum volume in l	300
Max. capacity in kg (dry laundry)	15
Voltage	See data plate
Rated load	See data plate
Fuse rating	See data plate
Test certificates awarded	See data plate
Max. load bearing in operation in N	1582/1647
Product safety standard	IEC 335-1, IEC 335-2-11
Emission sound pressure level in dB (A), EN ISO 11204	< 70
Sound power level in dB (A), EN ISO 9614-2	< 80

PT830X SL



Australia:

Miele Australia Pty. Ltd.

ABN 96 005 635 398

1 Gilbert Park Drive, Knoxfield, VIC 3180

Telephone: 1300 464 353, Fax: (03) 9764 7149

www.miele.com.au

New Zealand

Miele New Zealand Limited

Unit L, 10-20 Sylvia Park Road, Mt. Wellington, 1060, Auckland, NZ

Telephone: 0800 264 353, Fax: 0800 463 453

www.miele.co.nz