

Miele



Operating and installation instructions Commercial flatwork ironer

PRI318

PRI418

PRI421

To avoid the risk of accidents or damage to the machine, it is **essential** to read these instructions before it is installed and used for the first time.

en-GB

M.-Nr. 11 445 510

Contents

Warning and Safety instructions	4
Correct use.....	4
Take these safety precautions if you smell gas	4
Technical and electrical safety	5
Use of the appliance	5
Using accessories	6
Notes on the use of this ironer	6
Caring for the environment	8
Guide to the machine	9
Appliance overview	9
Touch display	10
Display symbols	12
Finger guard	13
Emergency switch-off	14
Using for the first time	15
Cleaning and waxing before use	15
Preparing the laundry	16
Only iron suitable fabrics.....	16
Residual moisture.....	16
Sorting the laundry	16
Using the ironer	17
Making the appliance ready for use	17
Ironing.....	17
Ironing temperature	17
Setting the ironing temperature.....	18
Changing the value of a temperature selection button	18
Speed of ironer.....	18
Setting the ironer speed	19
Changing the value of a roller speed selection button.....	19
Saving and loading favourites	19
Feeding in laundry	20
Picking laundry out of the ironer	20
Pausing the ironing process	21
ECO mode.....	21
Standby mode.....	21
“FlexControl” foot switch	21
Stopping ironing	21
Preventing running while unloaded	22
Continuing ironing after a power outage	22
Fault messages	22
Cleaning and care	23
Cleaning the heater plate	23
Starting the cleaning programme.....	23
Using the cleaning cloth.....	23
Waxing the heater plate.....	25
Starting the waxing programme.....	25
Using the ironer waxing cloth and ironing wax	25
Padding instructions.....	26

Removing the ironing cloth (only for steel-wool roller covering)	27
Fitting the ironing cloth (only for steel-wool roller covering)	27
Padding instructions for rollers with steel-wool padding	28
Padding instructions for rollers with leaf-spring padding.....	28
Cleaning the laundry pickers.....	28
Ironing cloth washing (when soiled)	28
Maintenance for gas-heated ironers	29
Miele Customer Service Department	29
Installation and connection	30
Installation requirements	30
Storage	30
Operating conditions.....	30
Installation	30
Securing the machine.....	31
Fitting the laundry outfeed table	31
1. Unscrew the laundry outfeed table	31
2. Remove the rails from the side columns	32
3. Fit the rails to the insides of the side columns	33
4. Fit the laundry outfeed table	34
Fitting the laundry box.....	35
Removing the transport safety device.....	38
Store the transport safety device in the side column.....	38
Electrical connection	39
Ducting	39
Gas connection (only for gas-heated flatwork ironers)	40
Waste gas duct	40
After installation.....	41
Levelling	41
Optional accessories	42
Flexible laundry return feed.....	42
Changing the ironer over for laundry return feed	42
Extension for outfeed table	43
Peak load/energy management.....	43

Warning and Safety instructions

Read the operating instructions carefully before using the flatwork ironer. They contain important information on safety, installation, use and maintenance.

To avoid the risk of accidents or damage, it is essential to read the operating instructions before using the ironer for the first time.

If other persons are being shown how to operate the ironer, they must be given or made aware of these important safety instructions.

Miele cannot be held liable for injury or damage caused by non-compliance with these instructions.

Keep these operating instructions in a safe place and pass them on to any future owner.

Correct use

► This flatwork ironer should not be installed or operated in any area where there is a risk of explosion.

Take these safety precautions if you smell gas

These precautions apply only to gas-heated flatwork ironers.

- Extinguish any open flames and put out any cigarettes immediately.
- Do not carry out any actions which produce electrical sparks. Do not operate any light switches, device power switches or bells. Do not pull any electrical plugs from sockets. Do not use your telephone or mobile phone.
- Immediately open all windows and doors and ensure adequate ventilation.
- Close the gas line shut-off valves.
- If you smell gas in a room, under no circumstances should you enter that room carrying an open flame.
- Do not strike any matches or ignite a cigarette lighter.
- Contact the relevant gas supply company.

Technical and electrical safety

- ▶ The flatwork ironer must not be operated in the same room as dry-cleaning equipment using perchloroethylene or solvents containing CFCs.
- ▶ The flatwork ironer may only be operated in a suitable dry room.
- ▶ Only operate the flatwork ironer when all removable outer panels are in place so that it is impossible to touch an electrical component, moving part or hot machine parts.
- ▶ Do not damage, remove or bypass the safety features or control elements of the flatwork ironer.
- ▶ Do not make any alterations to the flatwork ironer unless explicitly authorised to do so by Miele.
- ▶ If the control elements or the electrical cabling insulation has been damaged, the flatwork ironer must not be used until such damage has been repaired.
- ▶ Repairs may only be carried out by suitably qualified personnel. Incorrect repairs can cause considerable danger to users.
- ▶ Faulty components may only be replaced by genuine Miele spare parts. Miele can only guarantee that the flatwork ironer fully complies with safety requirements if Miele genuine replacement parts are used.
- ▶ The electrical safety of this flatwork ironer can only be guaranteed if it is correctly earthed. It is essential that this standard safety requirement is observed and regularly tested. If in any doubt, please have the electrical installation inspected by a qualified electrician. Miele cannot be held liable for damages arising from an absent or faulty earth connection.
- ▶ The flatwork ironer is only completely isolated from the electricity supply if switched off at the mains isolator, or if the on-site mains fuse is disconnected.
- ▶ Electrostatic charge may occasionally build up whilst using the flatwork ironer, depending on the type of fabric and residual moisture.

Use of the appliance

- ▶ The flatwork ironer must not be operated unsupervised.
- ▶ The flatwork ironer can be used by people with reduced physical, sensory or mental capabilities, or lack of experience and knowledge, only if they are supervised whilst using it, or have been shown how to use it in a safe way and recognise and understand the dangers of such use.
- ▶ Always supervise any children in the vicinity of the flatwork ironer. Never allow children to play with the flatwork ironer.
- ▶ While the flatwork ironer is switched on and heated, there is a risk of burning if the edge of the heater plate on the laundry output side is touched.
- ▶ Do not set the ironing temperature higher than the temperature given on the care label of the laundry item you intend to iron. The laundry could ignite if the ironing temperature is set too high.

Warning and Safety instructions

- ▶ When ironing double-layered laundry items, do not put your hands between the layers when trying to stretch the item. There is a danger that you do not move your hands out of the way of the hot heater plate in time. This also applies to inserting your hands in pockets whose open sides are facing the hot heater plate.
- ▶ The flexible laundry feed mechanism for reverse laundry removal (optional) may only be turned from the front.
- ▶ Do not iron items with fringes, thin ties and straps, etc. on flatwork ironers with feed-in belts. These could get tangled in the feed-in belts and cause a fault.
- ▶ While using the ironer, keep your hands away from the areas between the side columns and the roller. There is a danger of squashing your fingers in the rotating roller.
- ▶ Ensure the room in which the flatwork ironer is being used is sufficiently lit.
- ▶ The flatwork ironer must be switched off when not in use.
- ▶ Keep the working area around the flatwork ironer free from clutter.
- ▶ Make sure that a fire extinguisher is in the direct vicinity and can be used at any time. There is a risk of fire if the ironing temperature is set too high, the laundry is not suitable for ironing or the laundry was not cleaned in water!
- ▶ The installation of the flatwork ironer in non-stationary locations (for example, on ships) may be performed only by specialised companies/specialists if they can guarantee the prerequisites for the safe use of the flatwork ironer.
- ▶ The country-specific safety regulations and provisions, as well as standards, must be taken into consideration.

Using accessories

- ▶ Accessory parts may only be fitted when expressly approved by Miele. Using spare parts or accessories from other manufacturers will invalidate the warranty, and Miele cannot accept liability.

Notes on the use of this ironer

- ▶ Only responsible people over the age of 16 years who have been fully trained in the use of the ironer should use the infeed table.
- ▶ When working with the ironer, always wear close fitting clothes and keep long hair tied back. Wide sleeves, apron straps, scarves and ties etc. could be taken in by the roller.
- ▶ Remove rings and bracelets before ironing.
- ▶ Smooth out folds as far away from the infeed on the infeed table as possible. Feed pillow cases and duvet covers into the ironer with the open end first. Do not take hold of the corners from the inside. Do not take hold of straps or ties etc. from the inside of garments
- ▶ Check daily that safety devices are correctly set. This ironer must only be used if all safety features are functioning correctly. This way you will avoid the danger of burns, squashed fingers and even loss of hands.
- ▶ Before switching to reverse make sure that nobody is endangered.

Warning and Safety instructions

If other persons are being shown how to operate the ironer, they must be given or made aware of these important safety instructions.

Pass these instructions on to any future users/owners of the ironer.

Caring for the environment

Disposal of the packing material

The packaging is designed to protect the appliance from damage during transportation. The packaging materials used are selected from materials which are environmentally friendly for disposal and should be recycled.

Recycling the packaging reduces the use of raw materials in the manufacturing process and also reduces the amount of waste in landfill sites.

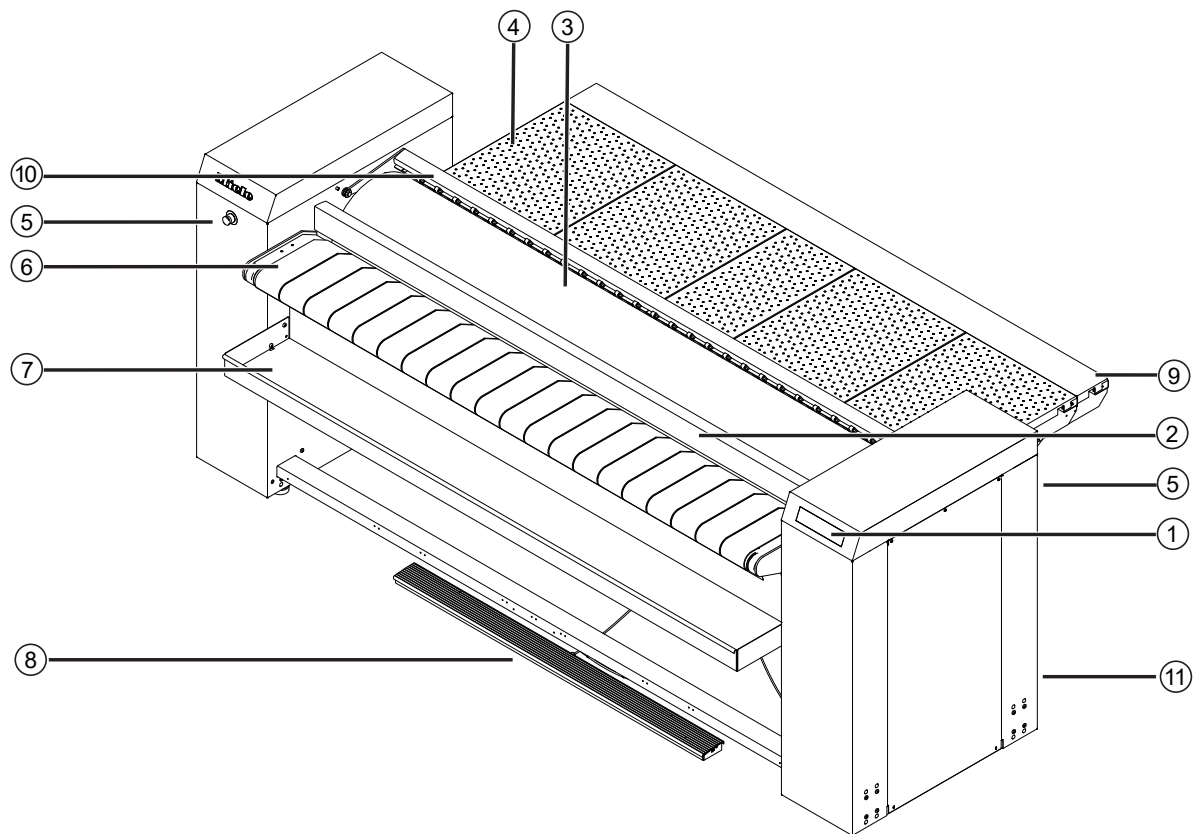
Disposing of your old appliance

Electrical and electronic appliances often contain valuable materials. They also contain specific materials, compounds and components, which were essential for their correct function and safety. These could be hazardous to human health and to the environment if disposed of with your domestic waste or if handled incorrectly. Please do not, therefore, dispose of your old appliance with your household waste.



Please dispose of it at your local community waste collection / recycling centre for electrical and electronic appliances, or contact your dealer or Miele for advice. You are also responsible (by law, depending on country) for deleting any personal data that may be stored on the appliance being disposed of. Please ensure that your old appliance poses no risk to children while being stored prior to disposal.

Appliance overview

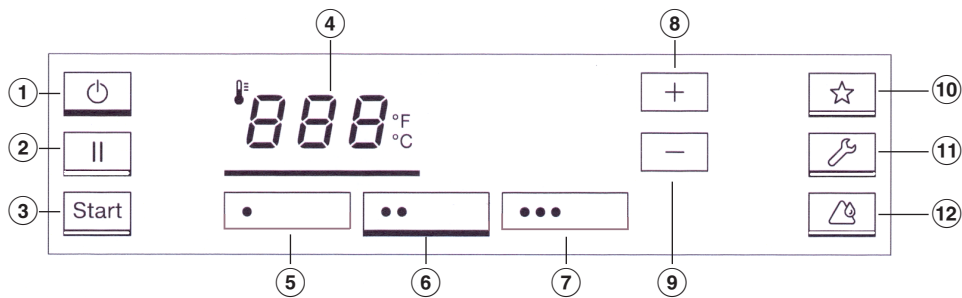


- | | |
|--|---|
| <p>① Control field (touch display)</p> <p>② Finger guard</p> <p>③ Roller with ironing cloth</p> <p>④ Outfeed table</p> <p>⑤ Emergency switch-off
(on the front of the left side column and
on the back of the right side column)</p> <p>⑥ Laundry infeed table
(with or without feed-in belts, depending
on the model)</p> | <p>⑦ Laundry box
For preparation and pre-sorting of laundry
items.</p> <p>⑧ “FlexControl” foot switch</p> <p>⑨ Extension for outfeed table
(Optional)</p> <p>⑩ Laundry picker band</p> <p>⑪ Gas burner light (for gas-heated ironers
only)
Lights up when the gas burner is active.</p> |
|--|---|

Guide to the machine

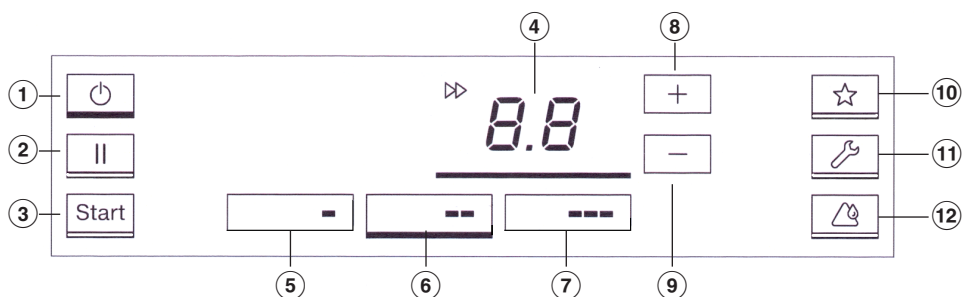
Touch display

The buttons on the touch display can be selected by pressing lightly. The button that is currently selected will be highlighted with a bar underneath.






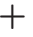
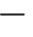







Display in the ironing temperature selection mode

- ① button
Switches the ironer on and off.
- ② button
Pauses the ironing process.
- ③ Start button
Begins the ironing process once the set ironing temperature is reached. Flashes when the ironing process can be started.
- ④ **000** button
Ironing temperature selection mode.
- ⑤ Temperature selection button •
For nylon and artificial silk.
- ⑥ Temperature selection button ••
For silks and woollens.
- ⑦ Temperature selection button •••
For cottons and linen.
- ⑧ + button
Raises the ironing temperature.
- ⑨ – button
Lowers the ironing temperature.
- ⑩ ☆ button
Favourites programme
- ⑪ button*
Service position for carrying out maintenance work. This button must be held down for at least 3 seconds in order to activate or deactivate it.
* Depending on the model, this button is displayed or hidden
- ⑫ button
Heater plate cleaning and waxing mode. This button must be held down for at least 3 seconds in order to activate or deactivate it.

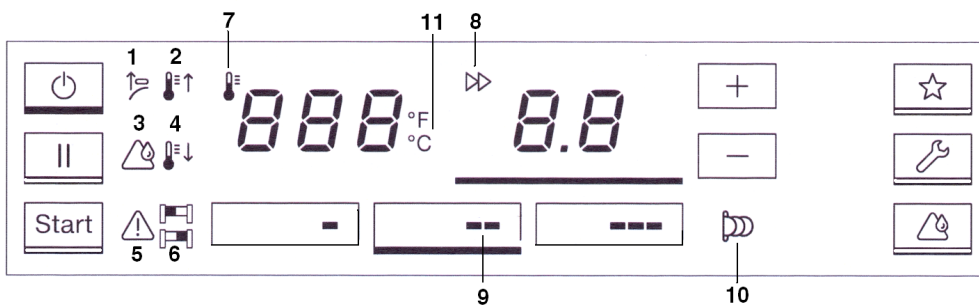


Display in the roller speed selection mode

- ①  button
Switches the ironer on and off.
- ②  button
Pauses the ironing process.
- ③ start button
Begins the ironing process once the set ironing temperature is reached. Flashes when the ironing process can be started.
- ④ *B.B* button
Switches to the roller speed selection mode
- ⑤ Speed selection button  -
Low speed range
- ⑥ Speed selection button  --
Medium speed range
- ⑦ Speed selection button  ---
High speed range
- ⑧  + button
Increases the roller speed
- ⑨  - button
Decreases the roller speed
- ⑩  ☆ button
Favourites programme
- ⑪   button*
Service position for carrying out maintenance work. This button must be held down for at least 3 seconds in order to activate or deactivate it.
* Depending on the model, this button is displayed or hidden
- ⑫   button
Heater plate cleaning and waxing mode. This button must be held down for at least 3 seconds in order to activate or deactivate it.

Guide to the machine

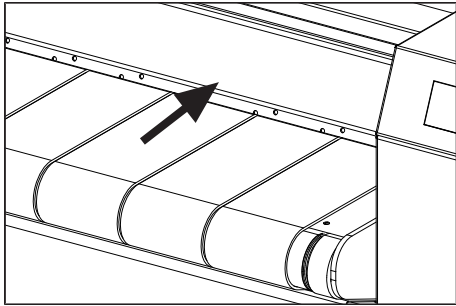
Display symbols



- | | |
|--|---|
| 1 | 7 |
| Activate the finger guard | Pre-selection and display of temperature in °C/°F |
| 2 | 8 |
| The current temperature of the heater plate is lower than the setpoint temperature. The temperature of the heater plate is raised. | Pre-selection and display of roller speed |
| 3 | 9 |
| Service display for cleaning and waxing (see “Cleaning and care”) | Roller speed range |
| 4 | 10 |
| The current temperature of the heater plate is higher than the setpoint temperature. The temperature of the heater plate is lowered. | Payment system mode (see “Ironing with a payment system”) |
| 5 | 11 |
| Fault present | Display of ironing temperature in °C or °F. This can be altered by the Miele Customer Service Department. |
| 6 | |
| Continuous laundry infeed on the left () or the right () side of the ironer (see “Feeding in laundry”). | |

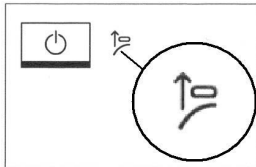
Finger guard

The finger guard is a safety feature that must be checked daily for proper functioning before the machine is used.




⚠ Risk of injury due to lack of finger guard function.
A malfunctioning finger guard function can lead to serious injury.
Shut down the flatwork ironer immediately.
Contact the Miele Customer Service Department without delay.
Ensure that the flatwork ironer is not put into operation by other persons and draw attention to the potential hazard.

After being switched on, the ironer will only switch to normal operating mode if the finger guard has been activated properly after switching on the ironer. Otherwise, the ironer will switch off again after a short amount of time.



“Finger guard” display symbol

If the display symbol  is flashing, gently press the underside of the finger guard once.

If fingertips become trapped between the roller and the finger guard, the ironer will be stopped immediately and the heater plate disengaged. At the same time, the  symbol will light up continuously. Press the **start** button to switch the ironer back on.

While the ironer is operating, do not use the finger guard intentionally to interrupt the ironing process.

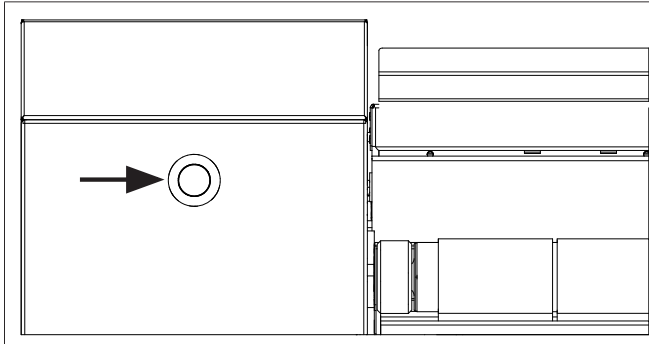
Press the **||** button to interrupt the ironing process.

Guide to the machine

Emergency switch-off

The emergency off switch puts the ironer into a safe state in the event of danger or in order to prevent danger.

The ironer features two emergency off switches – one on the front of the left side column and one on the back of the right side column.



Emergency stop switches on the side columns

Pressing the emergency stop switch will immediately stop the roller and disengage the heater plate from the roller. *STOP* appears in the display.

Once the emergency stop switch has been pressed, twist it in a clockwise direction to release it again.

Do not use the emergency off switch to switch off the flatwork ironer normally.
The emergency stop switches are intended for use only in hazardous situations.




Cleaning and waxing before use

It is essential to clean and wax the heater plate before it is used for the first time (see “Cleaning the heater plate” and “Waxing the heater plate” in “Cleaning and care”).

- Clean the heater plate by passing the cleaning cloth offset through the ironer across the entire width of the roller multiple times.
- After cleaning the heater plate, wax it using the ironer waxing cloth and suitable ironing wax. Use the ironing wax sparingly to avoid the ironing cloth becoming too smooth.

Preparing the laundry

Only iron suitable fabrics

Only clean fabrics that have been washed using water may be ironed. Before ironing, make sure the fabrics are suitable for the ironing process. Suitable fabrics can be identified as such by the corresponding care symbol on the label (,  or .

Residual moisture

Laundry items with 25–50 % residual moisture are perfect for ironing because this ensures an excellent finish. The residual moisture is absorbed by the fabric fibres, which makes them easier to smooth.

The ideal level of residual moisture depends on the fabric's properties.

If the laundry is rinsed in the final cycle using warm water, the laundry will still be warm and will have lower residual moisture. Therefore, laundry rinsed with warm water takes less time and energy to iron.

Sorting the laundry

Sort the laundry according to type and fabric before starting to iron. **At the same time, please observe the instructions on the laundry care label.** We recommend sorting the laundry in the following order:


Type of material	Symbol	Temperature
Nylon and other synthetics	●	100–110 °C
<i>then</i>		
Woolens, silks	●●	111–150 °C
<i>followed by</i>		
Cotton, linen	●●●	151–185 °C

Always follow the instructions on the care label when ironing laundry.

Starched laundry should always be ironed last.

Otherwise, any remaining starch residue on the heater plate may have a negative effect when ironing other laundry items.

Making the appliance ready for use

- Turn on the on-site main switch for the power supply.
- Press the  button to switch on the ironer.


The red  symbol flashes.

- Now gently press the underside of the finger guard.

The ironer switches to normal operating mode.


The ironer is only ready for use if the finger guard has been actuated properly. Otherwise, the ironer will switch off again after a short amount of time.

The red  symbol will appear in the display and the heater plate will heat up.

 Risk of burns when touching the hot heater plate.
When the machine has heated up, there is a danger of burns on the edge of the heater plate. Warning labels on the outer casing of the heater plate indicate the danger of burns.
Avoiding touching the edges of the heater plate.

- Wait until the selected temperature has been reached.

The start button begins to flash as soon as the minimum temperature has been reached.


The flatwork ironer is ready for operation when the set temperature is reached and the  symbol no longer appears in the display.

- Now press the flashing start button to start up the ironer.

The ironer is now ready for use.

Ironing

Whilst ironing, the laundry is fed into the ironer using the laundry infeed table. The ironed laundry is removed from the other side. The laundry pickers pick off the laundry from the roller after ironing. The laundry can then be folded together on the outfeed table.

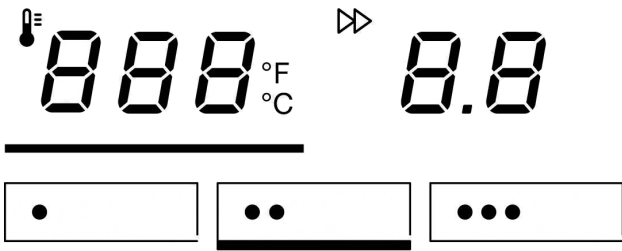
 Risk of burning due to hot laundry and hot edges of the heater plate outfeed.
While the ironer is in use, the heater plate becomes very hot. Ironed laundry may also be very hot when it emerges from the heater plate.
Always take care when removing ironed laundry from the appliance.
Do not touch the edges of the heater plate outfeed.

Ironing temperature

The ironing temperature should be selected according to the type of fabric being ironed.

Fabric	Symbol	Temperature	Preset value
Nylon/artificial silk	•	100–110 °C	110 °C
Silks/woollens	••	111–150 °C	125 °C
Cottons/linens	•••	151–185 °C	180 °C

Using the ironer



Temperature selection buttons

The ironer temperature can be set either via the temperature selection buttons (•/••/•••) or alternatively via the + or – buttons.

When adjusting the machine from a higher ironing temperature to a lower ironing temperature, the heater plate must cool down first. In this case, the heater element for the ironer is switched off. The symbol indicates that the current ironer temperature is still too high. When the symbol goes out, this indicates that the selected temperature has been reached.

Setting the ironing temperature

- Press the 888 button on the control panel to access the ironing temperature selection mode.

The 888 button will then be highlighted with a bar underneath.

- Now press one of the three temperature selection buttons.

(For example, •• temperature selection button)

The selected temperature selection button will be highlighted with a bar underneath and the heater plate heated / cooled to the appropriate temperature.

Changing the value of a temperature selection button

- Press the temperature selection button you want to change the value for.

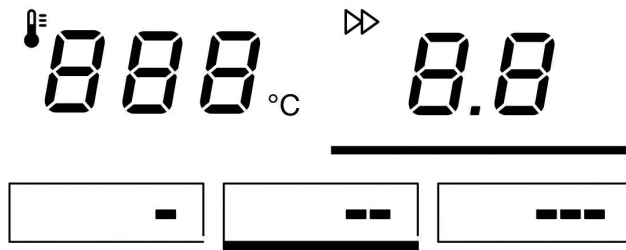
When keeping the button pressed, the bar will light up underneath it and the current temperature value will appear in the display.

- Press the + or – button to set the temperature you want to save for that button.
- Then press and hold the temperature selection button highlighted with a bar underneath until it flashes once.

The new temperature value is now saved for that temperature selection button.

Speed of ironer

Iron type	Symbol	Speed range	m /min	Preset value
PRI318:	-	Low speed range	1.5–2.4	2.0
	--	Medium speed range	2.5–3.4	3.0
	---	High speed range	3.5–4.6	4.0
PRI418/421:	-	Low speed range	1.5–2.9	2.0
	--	Medium speed range	3.0–3.9	3.5
	---	High speed range	4.0–5.4	4.5



Roller speed selection buttons

The roller speed can be set either via the roller speed selection buttons (-/--/---) or alternatively via the + or – buttons.

Setting the ironer speed

- Press the 8.8 button to access the roller speed selection mode.

The button will then be highlighted with a bar underneath.

- Now press one of the three roller speed selection buttons.

(For example, -- button)

The selected roller speed selection button will be highlighted with a bar underneath and the ironer speed will be adopted as the button value.

Changing the value of a roller speed selection button

- Press the roller speed selection button you want to change the value for.

The bar will light up underneath the selected button and the current roller speed value will appear in the display.

- Press the + or – button to set the roller speed you want to save for that button.
- Press and hold the roller speed selection button until it flashes once.

The new roller speed is now saved for that button.

Saving and loading favourites

The following steps describe how to save and load the most frequently used combinations of ironing temperature and roller speed on the ☆ button.

Saving favourites

- First set the desired ironing temperature and roller speed (see “Ironing” in “Using the ironer”).
- Then press and hold the ☆ button until it flashes once.

The set combination of ironing temperature and roller speed is then saved to the ☆ button.

Loading favourites

- Tap the ☆ button to load a favourite.

The ironer’s roller speed and ironing temperature are then set to the combination of values saved to the button.

Using the ironer

Exiting favourites

- Tap the ☆ button to exit a favourite setting.

The set ironing temperature and roller speed set previously are loaded.

Feeding in laundry

- Press the start button to start the ironing process.

The heater plate engages and the roller begins to rotate.

⚠ Risk of damage as a result of incorrect laundry in-feed.

If laundry items with buttons are incorrectly fed into the ironer, they may be damaged or torn off when the item is passed into the heater plate.



Laundry with buttons must be inserted into the ironer so that the buttons are facing the roller and can be pressed into the roller's ironing cloth during ironing.

Place a cloth over zips, metal buttons and metal hooks before ironing to protect the heater plate.

Never iron metal or plastic clasps of any kind, or very bulky buttons (e.g. ball-shaped buttons).

- Align the laundry item parallel to the roller on the laundry infeed table.
- Smooth the item of laundry.
- Feed the item of laundry evenly into the ironer.

Do not feed small items of laundry into the ironer on only one side.

If laundry in-feed is on just one side, the heat will only be used on one side and the load only exerted on the roller padding on one side. If the laundry in-feed continues to be on one side only, this will be indicated by an audible signal and the red  symbol or  symbol appearing in the display.

Use the entire roller width wherever possible and distribute small items of laundry evenly on the laundry in-feed table.

Picking laundry out of the ironer

⚠ Risk of burning due to hot edges of the heater plate outfeed.

While the ironer is in use, the heater plate becomes very hot. Ironed laundry may also be very hot when it emerges from the heater plate.

Always take care when removing ironed laundry from the appliance.

Do not touch the edges of the heater plate outfeed.


The picker springs on the laundry picker band separate the ironed laundry from the roller. The laundry can then be removed from the ironer.

⚠ Risk of fire due to laundry self-ignition.

Hot laundry could self-ignite and cause a fire.

Allow the ironed laundry to cool down before packing or stacking it.

If a picker spring is loosened from its position, the ironer must be switched off. The picker spring then needs to be moved by hand to the original position of the laundry picker band.

 Danger of squashing fingers in the laundry picker band.
When moving the laundry picker band, there is a risk of body parts being caught.
Before moving the laundry picker band, make sure that the area between the laundry picker band and the side column is clear.
Always take care when moving the laundry picker band.

Pausing the ironing process

- Press the **||** button to interrupt the ironing process and switch the appliance to pause mode.

In pause mode, the roller stops and the heater plate disengages. The heater of the ironer will initially remain switched on. During pause mode, the ironer remains ready for use.


- Press the **start** button to start ironing again.

ECO mode

After an adjustable period of non-use (factory default setting = 10 minutes), the temperature is reduced to a value between 50 and 70 °C (factory default setting = 60 °C). The values can be set at the service level by the Miele Customer Service Department.

Standby mode

After an adjustable period of non-use, the ironer can switch to standby mode. In standby mode, the roller is at a standstill and the heater plate is disengaged. During this process, the ironer heater is switched off as well.

Press the  button to switch the ironer back on.

Standby mode is deactivated by default. Standby mode can be activated at service level by the Miele Customer Service Department. The time at which the ironer will switch to standby mode can be adjusted to a value between 1 and 30 minutes of non-use.

“FlexControl” foot switch

The roller can be stopped temporarily using the adjustable foot switch. This makes it easy to avoid mistakes when feeding in items.

Using the foot switch

- During ironing, press down the foot switch with your foot to stop the roller.

The roller stops moving. The heater plate remains engaged.


- Remove your foot from the foot switch again to continue ironing.

The roller begins to rotate again. The ironing process continues.

Stopping ironing

- After ironing, let the roller run for about 10 minutes at the minimum heating temperature without feeding in any laundry to dry out the roller cover completely.

- Switch off the flatwork ironer by pressing the  button.

The heater plate disengages and the fan runs for up to 10 minutes to cool down the ironer. The  button flashes during this process.

- Switch off the on-site main switch.

Using the ironer

Preventing running while unloaded

If you interrupt the ironing process for a certain period of time, press the **||** button to enter pause mode or alternatively press the **⏻** button to switch off the ironer. This prevents any unnecessary running while unloaded (i.e. the ironer operating without laundry) and means that much less strain is exerted on the ironing cloth and the drive.

If the ironer is operated while unloaded over an extended period of time, this will result in the roller covering having a significantly shorter service life.

Continuing ironing after a power outage

- After a power outage, press the **⏻** button.

The flatwork ironer is switched back on.

- Activate the finger guard.
- Press the **start** button.

Ironing can then be resumed.

Fault messages

When a fault occurs, ironing is interrupted and the **||** button flashes. A four-digit fault code is then shown on the display (e.g. *F0001*). Pressing the flashing **||** button acknowledges the fault (the fault is stored in the fault memory). The **start** button flashes and ironing can then be restarted.

If the fault message appears again, repeat the process or switch the ironer off before switching it back on again. If the fault persists, call the Miele Customer Service Department.

In the event of malfunctions, please alert the Miele Customer Service Department.

Cleaning the heater plate


Regular cleaning and care of the heater plate is essential for protecting the roller drive and the roller covering. Refer to the instructions in the Miele Ironing Handbook. Always wax the heater plate after cleaning. Failure to exercise due care and attention can result in a significant reduction in the service life of the ironer.

The heater plate for this ironer is made of aluminium.

Coarse-grained scouring agents or abrasive cleaning cloths must not be used for cleaning aluminium heater plates.

Use the Miele cleaning set for cleaning. This contains a cleaning cloth, an ironer waxing cloth and ironing wax. This set is available as an optional accessory.


Residue (such as starch and detergent) may deposit on the heater plate. For this reason, clean the heater plate as appropriate for the degree of soiling at least each time before you start work.

When the red symbol  lights up, this indicates that the heater plate requires cleaning and waxing in cleaning mode (factory setting = after 80 operating hours). The first time the appliance is used, this interval may be adjusted or disabled by Service as may be desirable.

Starting the cleaning programme

- Press and hold the  button for more than 3 seconds.

The ironer is now in the cleaning programme. 80 °C is shown in the display.

If the current ironing temperature is above 80 °C, the  symbol is displayed and the ironer is cooled down.

The cleaning process can be started when the start button is flashing.

- Press the flashing start button to start the ironer in the cleaning programme.

The ironer can then be cleaned using the cleaning cloth.

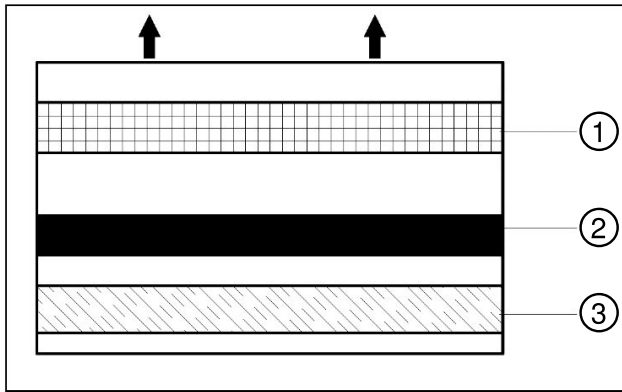
Using the cleaning cloth

- Use the cleaning cloth for cleaning the heater plate.

Since the cleaning cloth is narrower than the heater plate, you cannot clean the entire heater plate width by feeding the cloth through once. You need to feed the cleaning cloth through the ironer several times, and move it from side to side.

Tip: You can loosen incrustations such as starch residues by feeding a cloth soaked in lukewarm water through the ironer first.

Cleaning and care



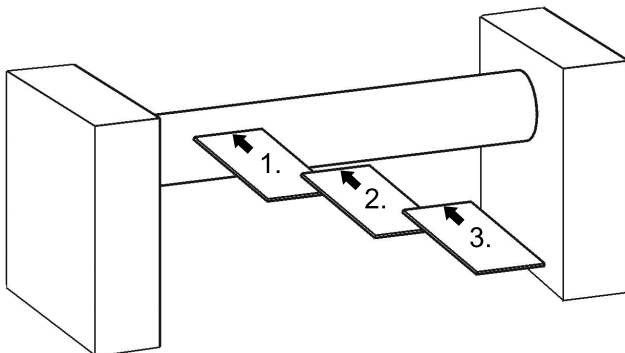
① Pocket

③ Cotton strip

② Cleaning strip

- Lay the cleaning cloth on the left side of the feed table with the cleaning strip facing the heater plate.
- Feed the cleaning cloth evenly and straight from the left side of the infeed table through the ironer until it comes all the way out on the other side.


The cleaning strip loosens the soiling. The softer cotton strip removes the soiling and polishes the heater plate.



Feeding the cleaning cloth through the ironer from the left to the right side

- Now lay the cleaning cloth back on the feed table, but this time move it slightly to the right. The cleaning strip must again face the heater plate.
- Feed the cleaning cloth through the ironer again.
- Repeat the process until you reach the right side of the feed table and the entire width of the heater plate has been cleaned.
- Press the II button to end the cleaning programme.

It is essential to wax the heater plate after cleaning.

You can then switch directly to the waxing programme by pressing the temperature selection button ●● on the right or exit the cleaning programme by pressing and holding the  button for at least 3 seconds.

Waxing the heater plate



Starting the waxing programme

- Press and hold the  button for at least 3 seconds.

2 temperature selection buttons which do not take the form of temperature dots (e.g. ••) are displayed.

- To start the ironer waxing programme, press the temperature selection button on the right.


The ironer will then switch to the waxing programme. 180 °C is shown in the display.

To deactivate the waxing programme, press the  button and then keep the  button pressed for at least 3 seconds.

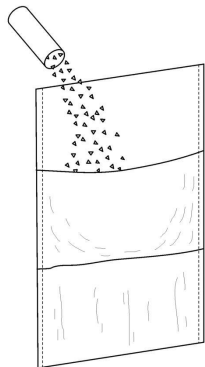
When the ironer has reached a temperature of 180 °C, the start button begins to flash. The waxing programme is then ready to begin.

- Press the flashing start button to start the waxing programme.

The heater plate can then be waxed using the ironer waxing cloth.

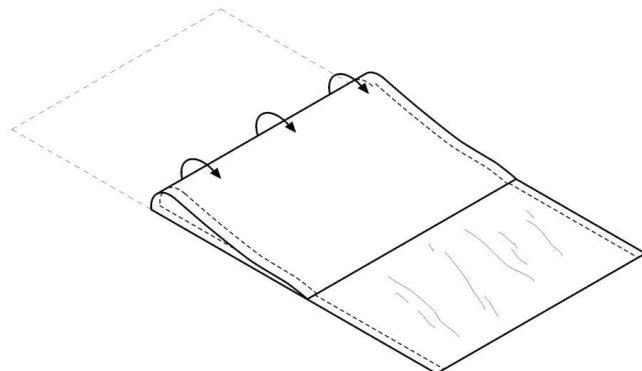
If waxing has been successfully carried out in the waxing programme for a period lasting at least 40 seconds, the maintenance interval for prompting the cleaning and waxing of the heater plate (indicated by a red symbol ) will be reset.

Using the ironer waxing cloth and ironing wax



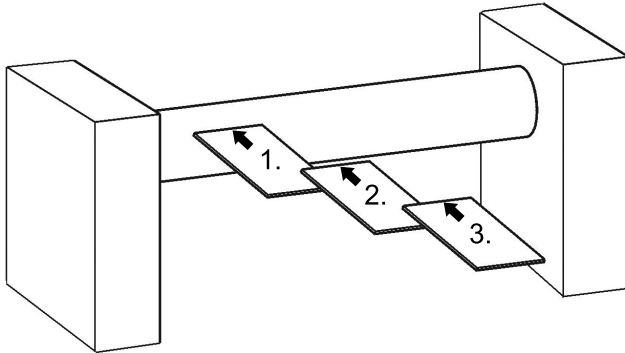
- Sprinkle some ironing wax into the pocket of the ironer waxing cloth.

Use the ironing wax sparingly to prevent the ironing cloth around the roller from becoming too smooth.



Cleaning and care

- Fold the ironer waxing cloth.
- Start the waxing programme (see “Starting the waxing programme” in “Waxing the heater plate”).
- Feed in the ironer waxing cloth **with the rubber-coated side facing the roller** into the ironer.



- Feed the ironer waxing cloth multiple times into the ironer from the left or right side at the necessary intervals across the entire working width of the ironer. If no damp patches can be seen on the ironer waxing cloth after it has passed through the ironer, add additional ironing wax.

On ironers with feed-in belts, ensure that no ironing wax comes into contact with the belts.

Otherwise the feed belts may become too smooth and can no longer be driven properly.

- Press and hold the  button for at least 3 seconds once waxing is complete.

Waxing mode is deactivated.

- After waxing, feed a cotton cloth through the ironer in order to remove wax residues.
- To maintain the smooth surface of the heater plate, it should be waxed after every working day.

Always carry out cleaning in the cleaning programme and waxing in the waxing programme, as otherwise the ironer's maintenance interval will not be reset. The maintenance interval is only reset once cleaning and waxing have been carried out for at least 40 seconds in the corresponding mode.

Padding instructions

Before the ironing cloth can be removed for the purpose of cleaning or replacing the roller, the ironer must be switched off and the heater plate allowed to cool down.

Removing the ironing cloth (only for steel-wool roller covering)

⚠ For rollers **with leaf-spring padding**, removing the ironing cloth without authorisation can cause damage.

If the ironing cloth is removed without authorisation, there is a risk of damaging the leaf-spring padding.

For rollers with leaf-spring padding, the ironing cloth may only be removed or fitted by the Miele Customer Service Department or by trained personnel from an authorised dealer.

Before the ironing cloth can be removed, the laundry pickers on the roller need to be fully retracted one after the other.

- Switch on the flatwork ironer by pressing the  button.


- Press and hold the  button for longer than 3 seconds.

The heater plate disengages and is locked into this position.

- Repeatedly press the - button to reverse the roller incrementally (jog mode).

- Take the end of the ironing cloth and put it on the laundry infeed table.

- With the roller in reverse, completely remove the ironing cloth.

- After this, press and hold the  button for longer than 3 seconds to deactivate the maintenance position.

Wire wool residues may fall onto the laundry infeed table while the ironing cloth is being fitted or removed. These residues must be removed.

Fitting the ironing cloth (only for steel-wool roller covering)

- Switch on the flatwork ironer by pressing the  button.

- Select the lowest temperature (●) and the lowest roller speed (➔).

- From the outfeed table, lay the ironing cloth on the roller parallel to the roller axis.

- Start the ironer by pressing the start button.

The covering diameter of the roller will indicate when the roller padding requires attention.

The steel wool padding on the roller may only be topped up or replaced by the Miele Customer Service Department or trained specialist personnel.

When the roller padding is being topped up or replaced, the padding should always be fitted to the maximum diameter (including ironing cloth).

PRI 318	PRI 418/421
298–303 mm	363–368 mm

Within this range the roller should be wound cylindrically over its entire length.

When the roller padding is replaced, the Miele Customer Service Department should check whether the carbon brushes of the drive motor need to be replaced as well.

Cleaning and care

Padding instructions for rollers with steel-wool padding

The steel-wool padding of the roller is covered by a polyester or ARAMID needle felt. During the ironing process, rollers covered in this material press the laundry onto the heater plate. The pressure applied and the heat causes the laundry to straighten and become dry.

The advantage of steel-wool padding is that it is slightly springy and can therefore adapt to various material thicknesses. In addition, it is permeable to both moisture and heat.

Over time, the steel-wool padding is pressed together closer and closer, causing the laundry finish and ironing performance to deteriorate. For this reason, the steel-wool padding must be replaced on a regular basis.

Roller padding may only be replaced by the Miele Customer Service Department or by trained personnel from an authorised dealer!

When removing or fitting an ironing cloth, steel-wool residues may fall into the heater plate.

These steel-wool residues must be removed.

Padding instructions for rollers with leaf-spring padding

For rollers with leaf-spring padding, only iron laundry items with a thickness of 3 mm or less. Thicker laundry items, protruding buttons, curtain rollers or similar items may damage the leaf-spring padding.

Cleaning the laundry pickers

The laundry pickers need to be raised so that the picker springs or ironing cloth can be cleaned. The laundry pickers also need to be raised if the roller requires re-winding or if you are temporarily ironing without laundry pickers.

If the ironer has been in use for a long period of time, the points of the picker springs should be cleaned to remove deposits (e.g. starch, dirt, wax) so that trouble-free operation of the laundry pickers can be ensured.

Ironing cloth washing (when soiled)

Do not wash the ironing cloth if it is only slightly discoloured. Yellow discolouration of the ironing cloth is normal. Wash the ironing cloth as infrequently as possible.

- Remove the ironing cloth from the roller.
- Wash the ironing cloth in a high-temperature washing programme at 90–95 °C in a suitable washing machine.

 Risk of damage due to the ironing cloth.

If washing the ironing cloth in a washing machine that is not designed for this purpose, the washing machine may sustain damage.

If you need to, only wash the ironing cloth in a suitable washing machine.

After the final rinse, the ironing cloth should be completely detergent-free (alkaline-free).

- To avoid excess creasing, make sure the spin cycle is not too intense when washing the ironing cloth.
- Fit the ironing cloth back on the roller while it is still damp.

Maintenance for gas-heated ironers

For gas-heated ironers, the interior, burners and burner chamber must be checked and cleaned according to country-specific regulations and at regular intervals by the Miele Customer Service Department or trained specialist personnel.

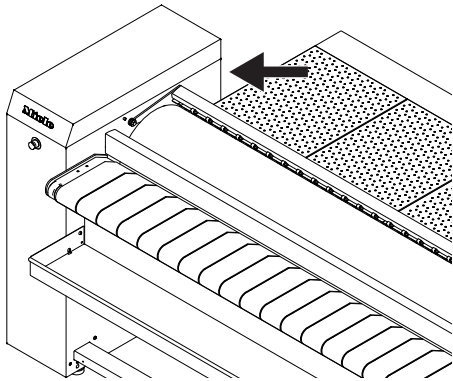
⚠ Risk of fire due to untimely maintenance.

If gas-heated ironers do not undergo maintenance at the right intervals, malfunctions may occur. Lint deposits in the interior could ignite.

Always arrange for gas-heated ironers to be maintained in a timely manner by the Miele Customer Service Department.

Miele Customer Service Department

In the event of a malfunction, contact the Miele Customer Service Department. The Miele Customer Service Department requires the model and serial number of the ironer. You will find these on the data plate on the back of the left-hand side column.



Data plate on the left-hand side column

⚠ Danger due to incorrect repairs.

Incorrect repairs can cause considerable danger to users.

Repairs may only be carried out by the Miele Customer Service Department or a specialist firm authorised by the manufacturer.

Installation and connection

Installation requirements

The flatwork ironer must only be set up by a Miele authorised and trained service technician or an authorised dealer.

- ▶ This flatwork ironer must be installed in accordance with all relevant regulations and standards. Local energy supplier regulations must also be observed.
- ▶ This flatwork ironer must only be operated in a room that has sufficient ventilation and which is frost-free.

Storage

The following conditions must be observed for transport and storage of the flatwork ironer:

- Ambient temperature: -25 °C to +55 °C
- Humidity: 5 % to 75 %, non-condensing

Operating conditions

In general, the operating conditions of DIN 60204 and EN 60204-1 apply.

- Ambient temperature: +5 °C to +40 °C
- Humidity: 10 % to 85 %
- At +21 °C ambient temperature, the maximum permissible relative humidity is 70 %.
- Maximum height above sea level of location site: 1000 m

⚠ The ironer must not be operated in the same room as dry-cleaning equipment using perchloroethylene or solvents containing CFCs.

Collector motor sparking may convert solvent vapours into hydrochloric acid which can lead to consequential damage.

Ensure adequate ventilation is present in the room in which the ironer is installed whilst it is being used.

Installation

The flatwork ironer should be transported to the installation site using a suitable pallet truck. Do not remove the packaging until right before the appliance is used for the first time.

This flatwork ironer may only be lifted from the wooden frame or transported with the side column covers fitted.

During installation, ensure that the clearance next to and behind the machine columns is at least 600 mm so that the cover panels remain accessible.

The clearance in front of the flatwork ironer must amount to at least 1.5 m to prevent foreign materials (furniture, walls) from getting hot. There should be a clearance of at least 1 m above the machine.

During transportation of the flatwork ironer, ensure its stability. The ironer must not be transported without the wooden frame.

If the ironer needs to be transported again (e.g. if you are moving location), it must be raised to the wooden frame and secured within.

Securing the machine

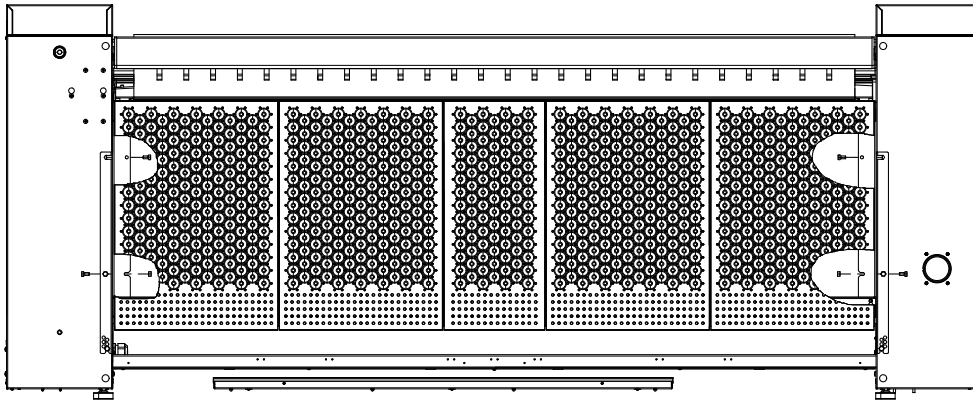
Measures to secure the ironer in place on the floor are essential.

The ironer must be secured to the floor after installation using the plugs and screws supplied.

The fittings supplied are for bolting the machine to a concrete floor. For other types of flooring, please purchase suitable fastening materials separately.

Fitting the laundry outfeed table

1. Unscrew the laundry outfeed table



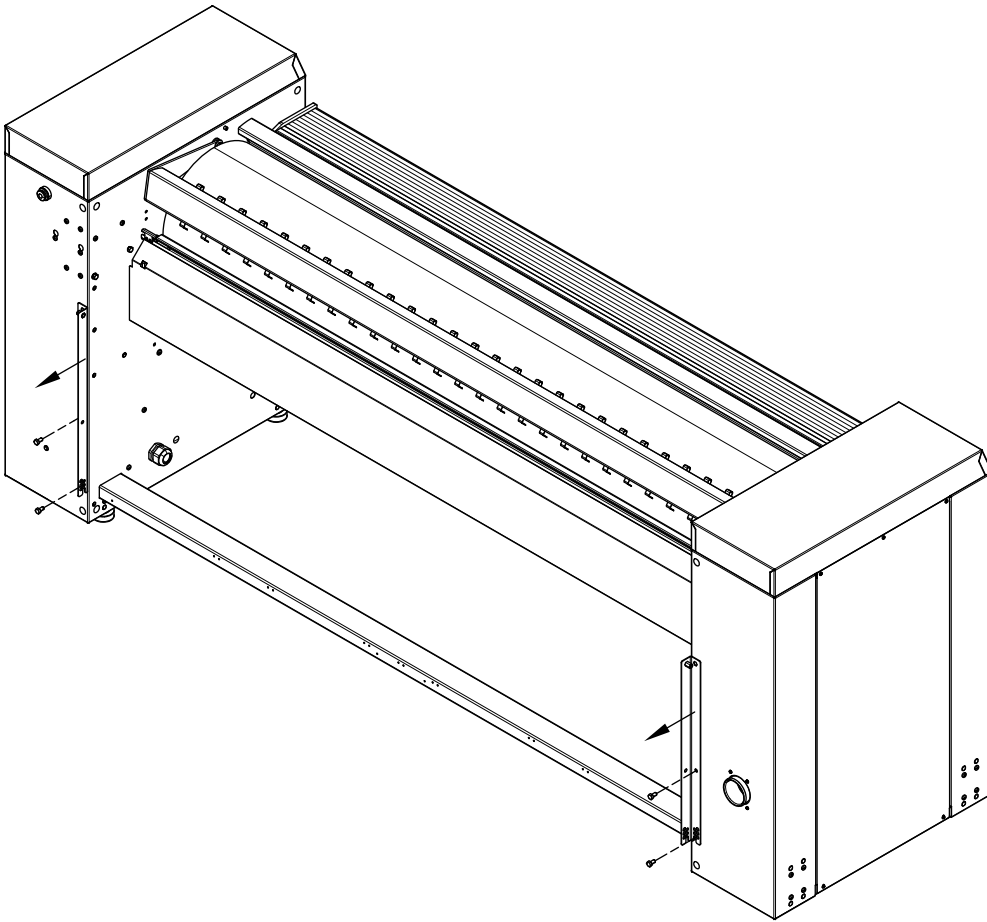
- Use a spanner (WAF 13) to undo the screws on the inside of the laundry outfeed table.
- Remove the laundry outfeed table from the back of the ironer.

The side rails remain attached to the back of the side columns for now.

- Set the laundry outfeed table down in a safe place. Make sure that the table is secure and cannot tip over.

Installation and connection

2. Remove the rails from the side columns

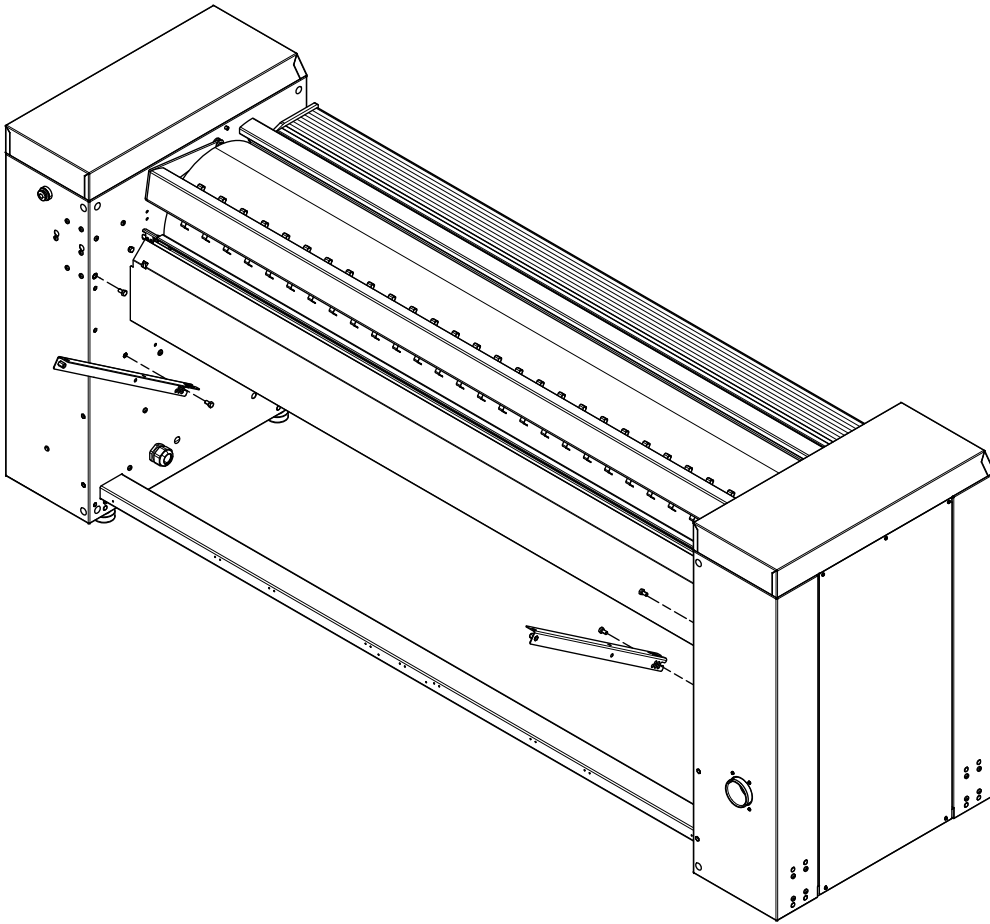


- Undo the screws on the rails.
- Remove the rails from the back of the side columns.

To fit the laundry outfeed table, each rail must be **switched over to the other side** and then screwed to the inside of the corresponding side column.

- Set down the rail from the left-hand side column ready to be fitted to the right-hand side column.
- Set down the rail from the right-hand side column ready to be fitted to the left-hand side column.

3. Fit the rails to the insides of the side columns



- Fit one side of the rails to the inside of the corresponding side column. Screw the rail from what was the original left-hand side column to the inside of the right-hand side column. Screw the rail from what was the original right-hand side column to the inside of the left-hand side column.

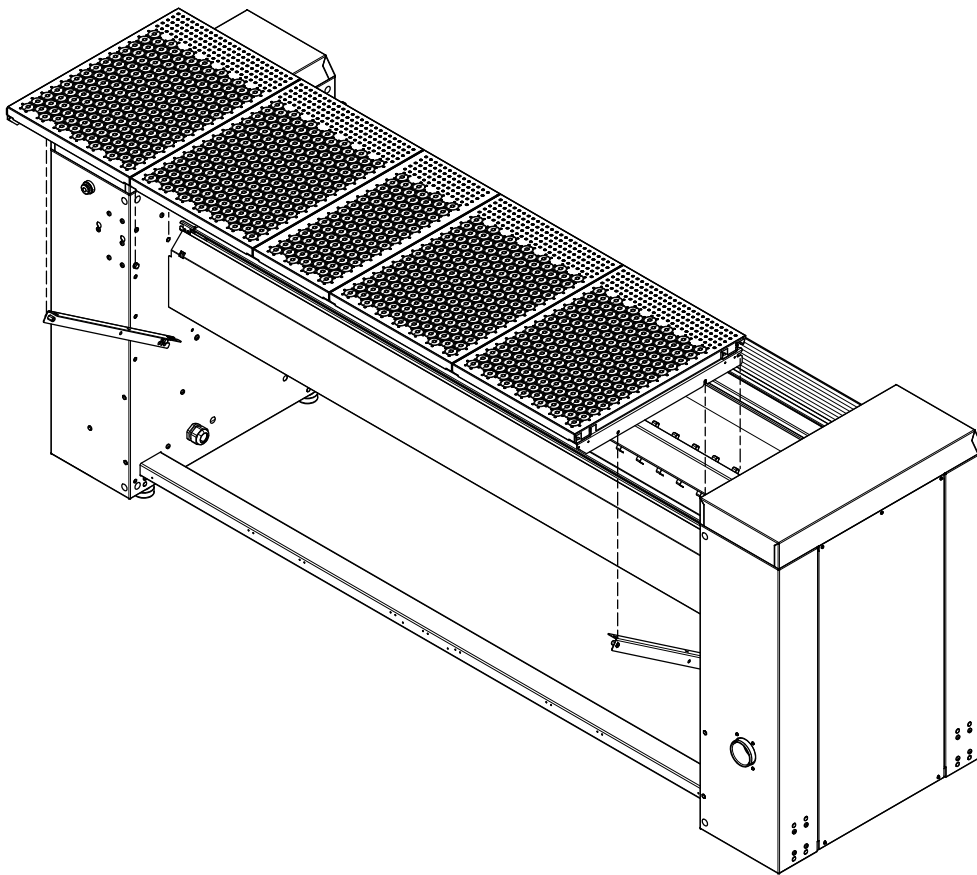


Rail fitted to the left-hand side column

- The screw at the top on the inside of the side column should only be attached loosely. It needs to protrude slightly so that the laundry outfeed table can hook onto the screw thread in the next step.
- Undo the screw located slightly further in as well.

Installation and connection

4. Fit the laundry outfeed table

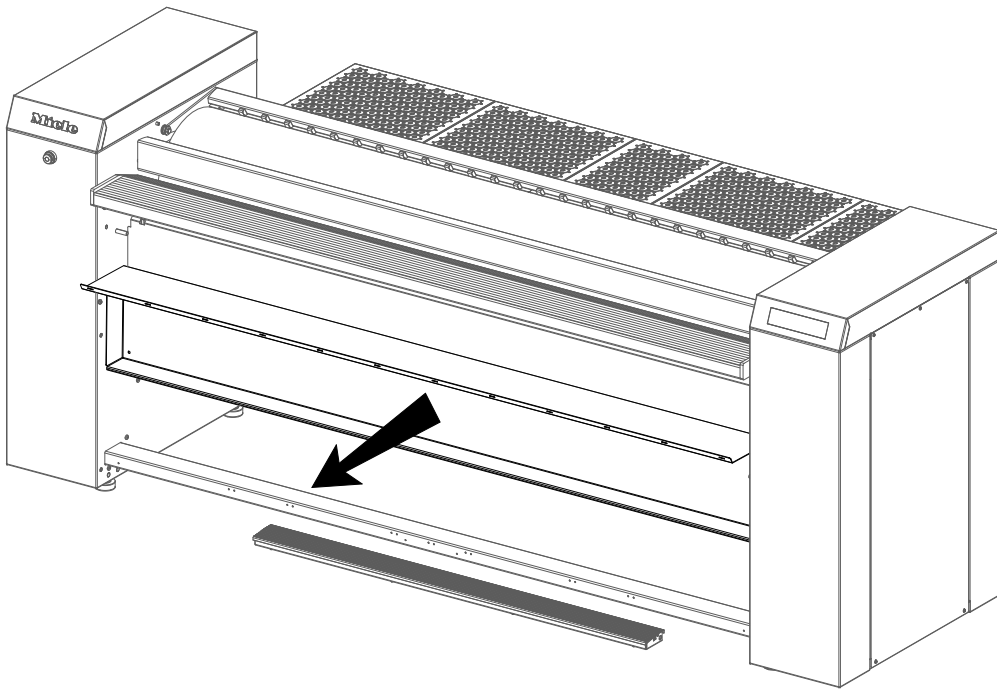


Fit the laundry outfeed table to the left-hand side column.

- Insert the laundry outfeed table between the screw and the inside of the side column on both sides.

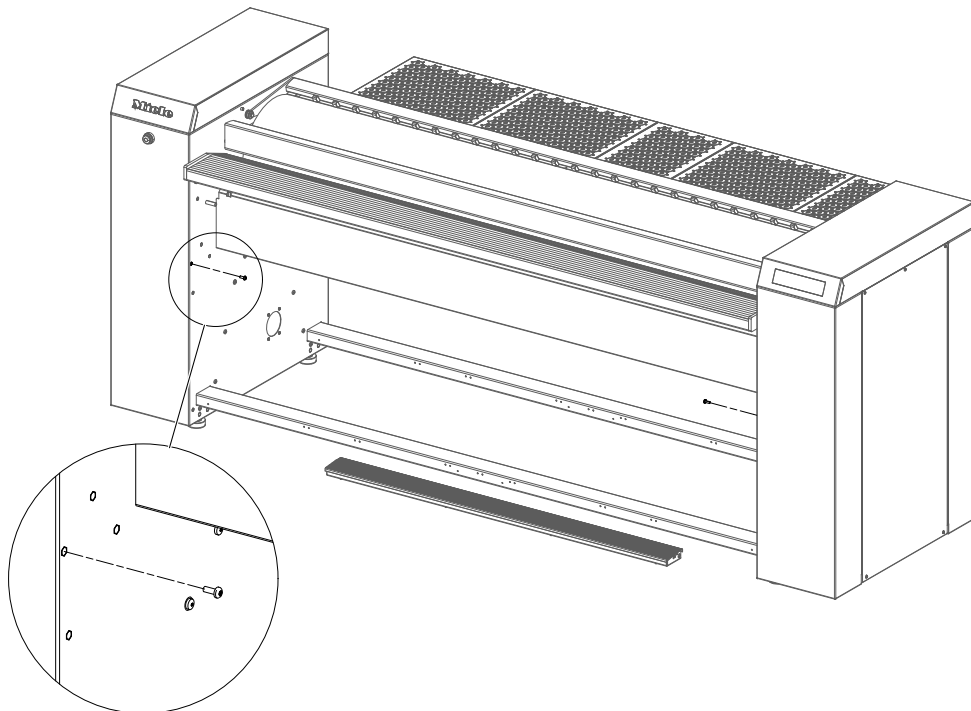
Fitting the laundry box

1. Remove the laundry box



- Undo the screws with a screwdriver.
- Remove the laundry box.

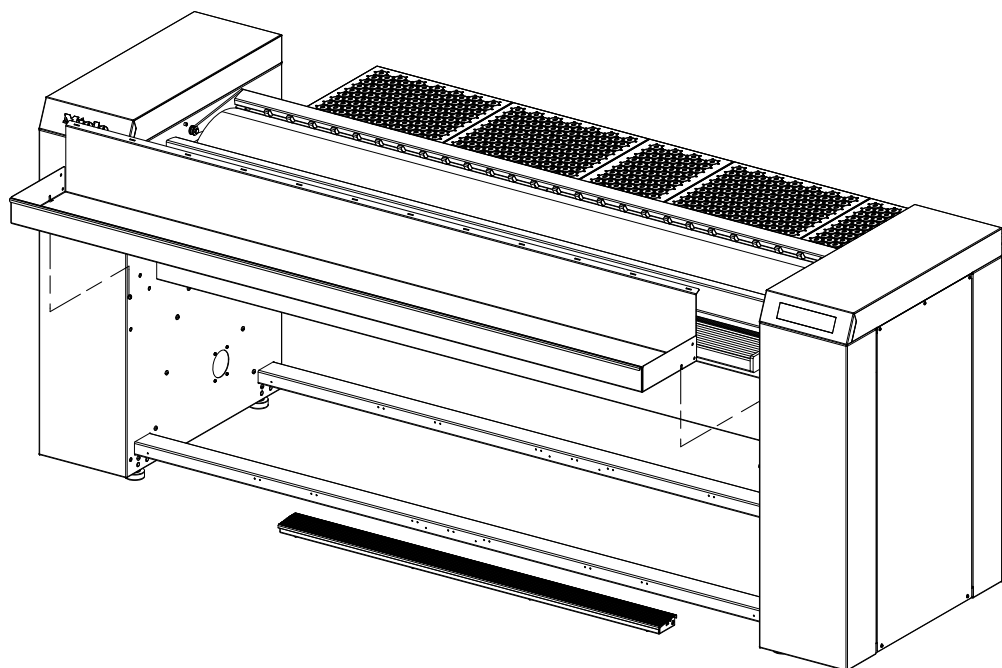
2. Fit screws to the side column



- Attach the screws loosely to the side column so that the laundry box can be hooked into place.

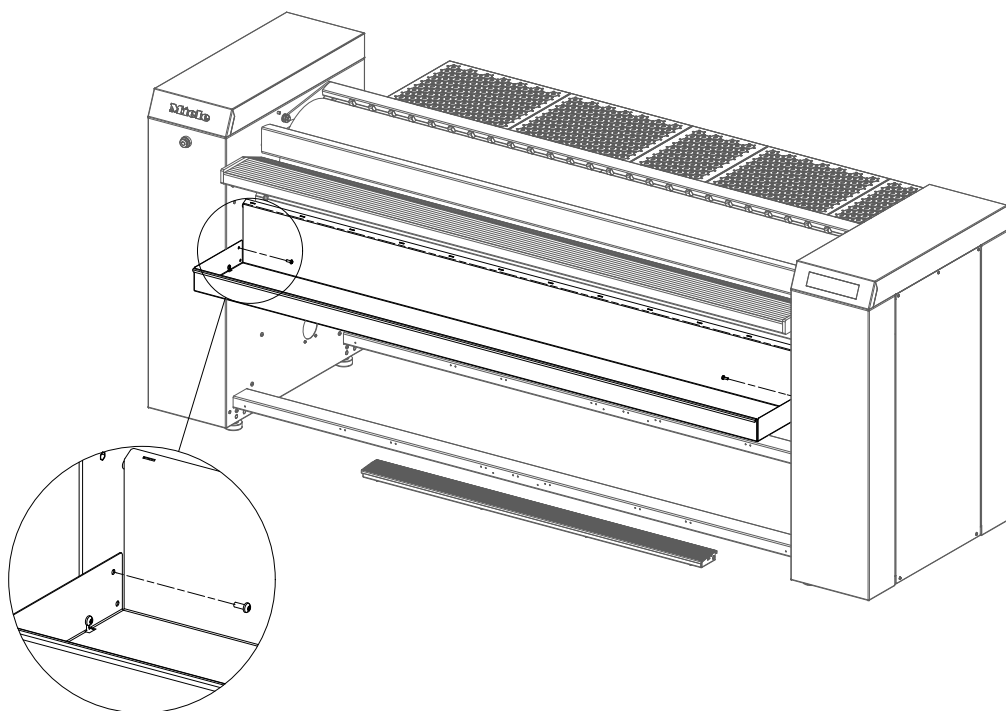
Installation and connection

3. Attach the laundry box



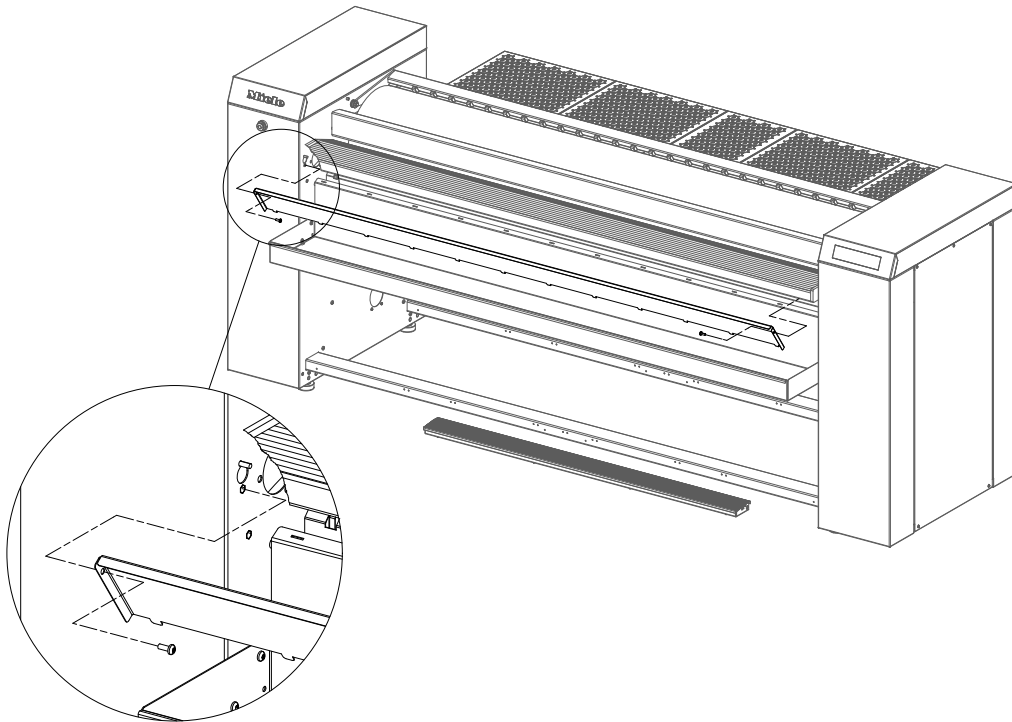
- Hook the laundry box into place on the screws on the side column.

4. Screw the laundry box tight



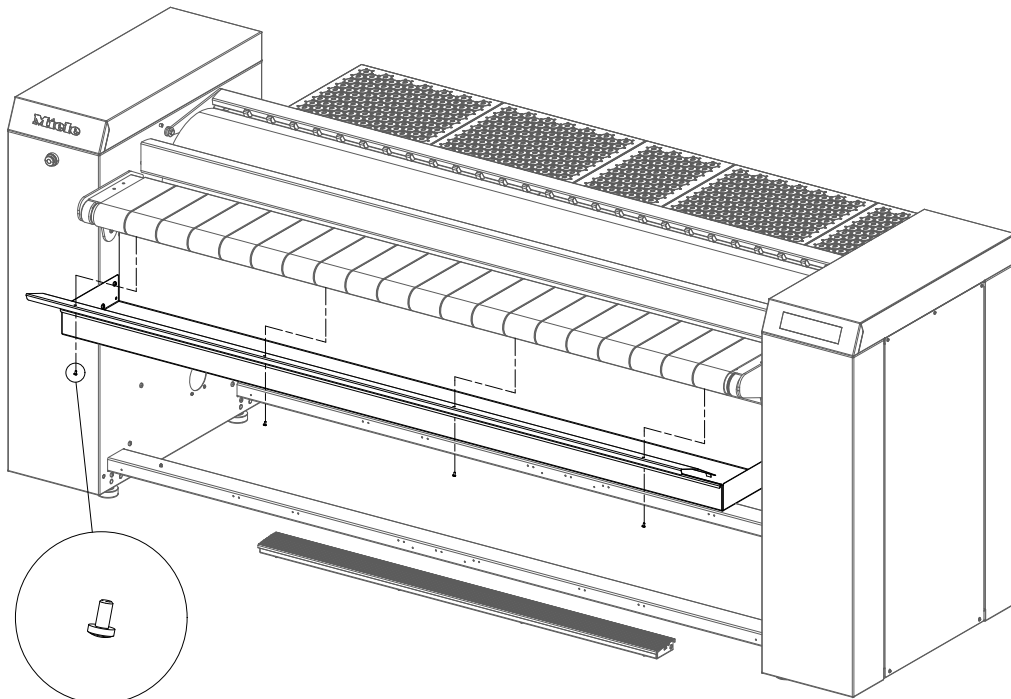
- Tighten the screws on the side column to fix the laundry box in place. Firmly tighten all of the screws.

5. Screw on the guard (ironers without feed-in belts)



- Hook the guard into the slot at the back.
- Screw the guard firmly into place on the side column.

5. Screw on the guard (ironers with feed-in belts)

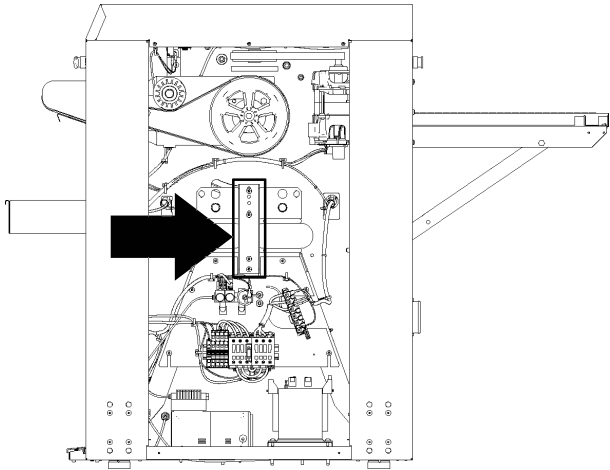


- Hook the guard into the slot at the back.
- Screw the guard firmly into place underneath the feed-in belts.

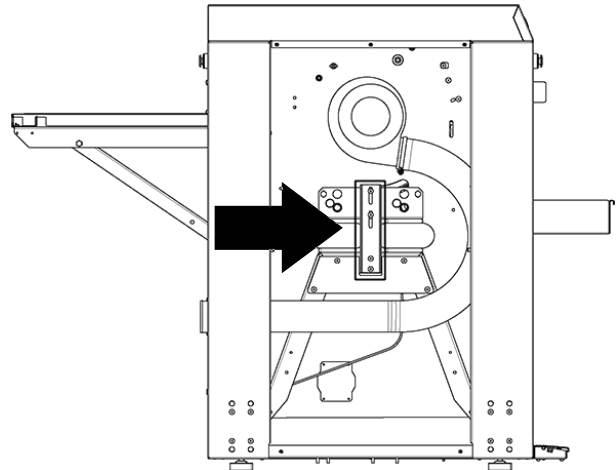
Installation and connection

Removing the transport safety device

Before use, the transport safety device must be removed from the heater plate. Remove the transport safety device by dismantling the brackets (shown below) in both side columns.



Transport safety device in the right-hand side column.

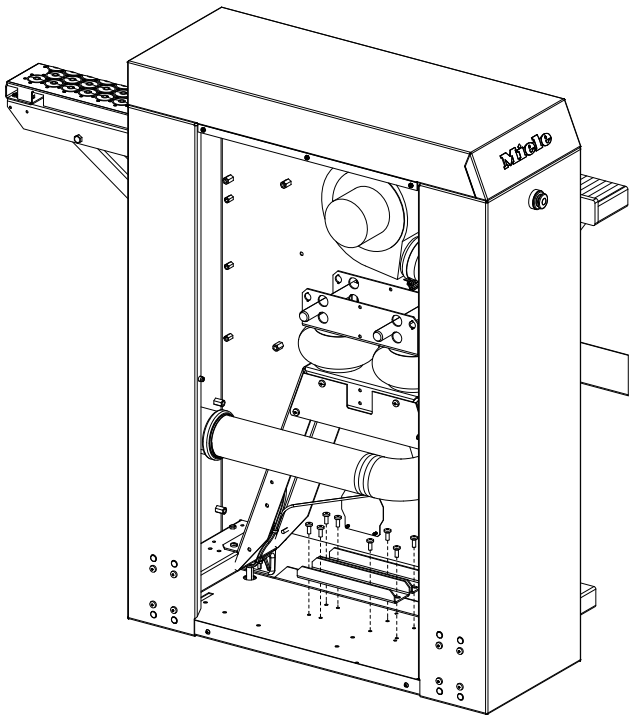


Transport safety device in the left-hand side column.

Before transporting the ironer again, the transport safety device must be refitted.

Store the transport safety device in the side column

Keep the transport safety device for subsequent use. There are holes drilled into the base of the left-hand side column to secure the transport safety device.



Securing the transport safety device for storage in the left-hand side column.

- Screw the transport safety device to the base of the left-hand side column for storage.

Electrical connection

The electrical connection must be carried out by a qualified electrician who must ensure that all electrical work is carried out in accordance with applicable regulations and standards.

The ironer should be connected to the mains electrical supply via a suitably rated plug and socket.

The electrical connection and wiring diagram are located behind the mounting flap of the right-hand side column.

The required voltage, rated load and external fuse rating can be found on the data plate on the flatwork ironer.

Connection to a supply voltage other than the one quoted on the data plate can lead to functional faults and damage to the flatwork ironer.

Before connecting the flatwork ironer to the electricity supply, please ensure that the mains supply voltage complies with the values given on the data plate.

The electrical equipment of the flatwork ironer complies with standards IEC 61000-3-12, IEC/EN 60335-1, IEC/EN 60335-2-44, EN ISO 10472-1 and EN ISO 10472-5.

In the case of unfavourable electrical conditions, the flatwork ironer may lead to interfering voltage fluctuations. If the mains impedance is greater than 0.265 ohm at the connection point to the public mains network, additional measures may be required before the appliance can be properly operated using this connection. The mains impedance can be requested from the local power supply company if necessary.

If the machine is hard wired, an all-pole means of deactivation must be installed. Switches with a minimum contact gap greater than 3 mm are suitable disconnectors. These include circuit breakers, fuses and contactors (VDE 0660).

The plug connector or isolator switch should be easily accessible at all times.

If the flatwork ironer is disconnected from the electricity supply, the disconnector must be lockable or the point of disconnection must be monitored at all times.

If it is necessary to install a residual current device (RCD) in accordance with the local regulations, a type-A residual current device can be used.

Ducting

The warm and moist exhaust air of the ironer must be conducted outside or to a suitable venting duct over the shortest path possible.

The exhaust air ducting must not be channelled into a chimney or flue already in use for any gas-, coal- or oil-burning installation.

The exhaust ducting for the ironer must be installed separately from the exhaust ducting of any tumble dryers.

The exhaust ducting must be laid in such a way that air flow is not hindered (few bends, short lines, well-made connections and transitions). Do not install any filters or louvres into the ducting.

Since the relative humidity can be up to 100 %, suitable measures must be taken to prevent condensate from flowing back into the flatwork ironer.

Installation and connection

If the machine fan is not powerful enough to remove the moist air, a suitably powerful additional fan must be installed in the shaft or the roof outlet on-site.

Make sure that a sufficient air quantity is fed to the room in which the appliance is installed (e.g. non-lockable ventilation openings).

If the exhaust ducting is leading upwards, a condensate drain hole with a diameter of 3–5 mm must be provided at the lowest point.

The on-site ducting system and the exit point to the outside must be checked on a regular basis for a build-up of lint. Clean them if required.

The end of ducting leading outside must be protected against the elements, e.g. with a downward-facing 90° bend, without any grills or louvers fitted. The ironer must not exhaust into a plenum box.

Gas connection (only for gas-heated flatwork ironers)

The gas connection may only be carried out by a registered installation technician in accordance with the applicable national regulations. In addition, the regulations of the local gas supply company must be observed.

Service work on gas appliances may only be carried out by suitably qualified persons in accordance with all applicable safety regulations. Before any service work is commenced on the appliance, the machine must immediately be disconnected from the gas mains.

Follow the installation instructions for the gas connection.

The gas heating is set as standard in accordance with the flatwork ironer's gas rating (see the data plate on the rear of the machine).

If the gas type needs to be changed, please request the appropriate conversion kit from the Miele Customer Service Department. When doing so, please have ready the information on the type of flatwork ironer, the appliance number, gas type, gas group, gas connection pressure and country in which the appliance is installed.

 Danger due to incorrectly carried out service and repair work

There is a risk of serious damage, injury and even death if service and repair work is carried out incorrectly.

Never carry out repairs on gas appliances yourself.

If you need repairs, immediately contact the Miele Customer Service Department or an authorised dealer.

If there is a gas system fault, the fault message *F0098* is shown on the display. To acknowledge the fault, press the **||** button. There is then a period of 1 minute until both automatic gas stokers are reset and the ironer can be started up again.

Waste gas duct

The connector for the waste gas duct (∅ 120 mm) can be found on the back of the ironer next to the right-hand side column.

Follow the installation instructions.

Make sure that a sufficient air quantity is fed to the room in which the ironer is installed (e.g. non-lockable ventilation openings).

After installation

Once the ironer is installed, all removed outer panels must be put back in place.

⚠ Danger from exposed machine parts.

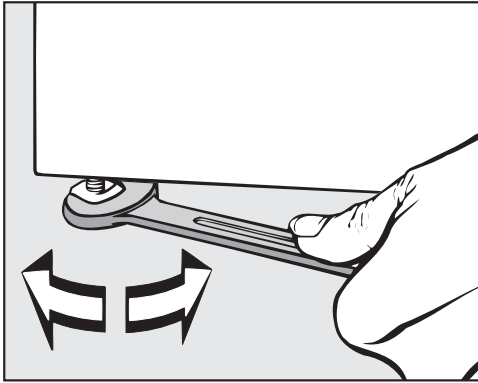
Live or moving machine parts which are exposed due to the lack of outer panels can result in serious injuries or even death.

Once the ironer has been installed and connected, all removed outer panels must be put back in place.

Levelling

The ironer must stand evenly and horizontally on all four feet to ensure trouble-free and energy-efficient operation.

- Align the ironer vertically and horizontally using the adjustable feet, a spirit level and mason's lacing cord so that it is level.



- After aligning the ironer, tighten the lock nuts by turning them in a counterclockwise direction with a wrench. This will prevent the feet from adjusting themselves.

Optional accessories

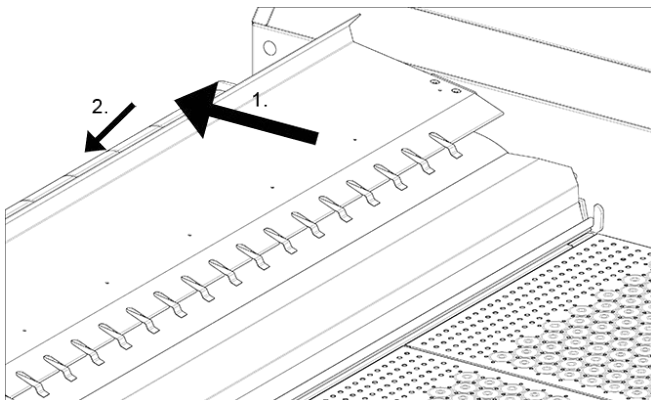
Flexible laundry return feed

The flexible laundry return feed allows you to remove ironed laundry from the infeed side. Because this eliminates the need to remove laundry from the rear, the ironer can also be operated by just one person. Ironers with laundry return feed can be placed with their rear side facing a wall.

⚠ Danger of burning on the hot edge of the heater plate.
When turning the laundry return feed from the rear of the ironer, there is a risk of being burned.
Only turn the laundry return feed from the front of the ironer.
Never touch the heater plate as this will be hot.

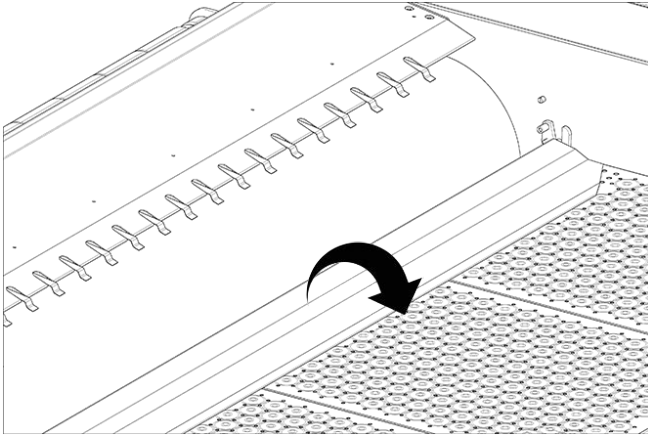
Changing the ironer over for laundry return feed

⚠ Danger of squashing fingers in the moving laundry return feed.
There is a risk of your hands getting caught in the areas between the laundry return feed and the rotating roller. There is a risk of body parts being caught between the laundry guide plate and the side column.
Always keep clear of the area between the receiving tray and the rotating roller.
Keep clear of the area between the laundry guide plate and the side column.
Always take care when moving the laundry guide plate.

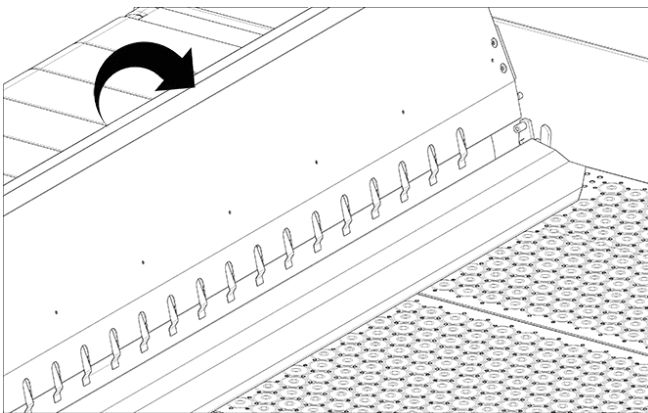


- Take hold of the laundry guide plate in the middle from the front.
- Pull the laundry guide plate in the direction of the laundry infeed table.
- Then move the laundry guide plate down towards the roller.

Directing laundry to the rear outfeed table



- Fold the laundry guide plate back to the outfeed table.



- Push the laundry return feed towards the outfeed table from the infeed side.
The ironed laundry will now be directed to the outfeed table.

Extension for outfeed table

The optional extension can be used to extend the laundry outfeed table by 132 mm.

Peak load/energy management

An option is available for connecting the ironer to a peak-load/energy management system. If the peak-load/energy management system is active, the ironer's heater element switches off and either *BBB* or *B.B* flashes in the display. The residual heat in the heater plate means that ironing can continue until the ironer goes into Pause mode (II).

United Kingdom

Miele Co. Ltd., Fairacres, Marcham Road
Abingdon, Oxon, OX14 1TW
Professional Sales, Tel: 0845 365 6608
E-mail: professional@miele.co.uk
Internet: www.miele.co.uk/professional

Australia

Miele Australia Pty. Ltd.
ACN 005 635 398, ABN 96 005 635 398
Level 4, 141 Camberwell Road, Hawthorn East, VIC 3123
Tel: 1300 731 411
Internet: www.miele.com.au/professional
E-mail: sales@miele-professional.com.au

China Mainland

Miele Electrical Appliances Co., Ltd.
1-3 Floor, No. 82 Shi Men Yi Road
Jing' an District, 200040 Shanghai, PRC
Tel: +86 21 6157 3500, Fax: +86 21 6157 3511
E-mail: info@miele.cn, Internet: www.miele.cn

Hong Kong, China

Miele (Hong Kong) Ltd.
41/F - 4101, Manhattan Place
23 Wang Tai Road, Kowloon Bay, Hong Kong
Tel: (852) 2610 1025, Fax: (852) 3579 1404
Email: customerservices@miele.com.hk
Website: www.miele.hk

India

Miele India Pvt. Ltd.
1st Floor, Copia Corporate Suites,
Commercial Plot 9, Mathura Road, Jasola,
New Delhi - 110025
E-mail: customercare@miele.in, Website: www.miele.in

Ireland

Miele Ireland Ltd.
2024 Bianconi Ave., Citywest Business Campus, Dublin 24
Tel: (01) 461 07 10, Fax: (01) 461 07 97
E-Mail: info@miele.ie, Internet: www.miele.ie

Malaysia

Miele Sdn Bhd
Suite 12-2, Level 12
Menara Sapura Kencana Petroleum
Solaris Dutamas No. 1, Jalan Dutamas 1
50480 Kuala Lumpur, Malaysia
Phone: +603-6209-0288
Fax: +603-6205-3768

New Zealand

Miele New Zealand Limited
IRD 98 463 631
8 College Hill
Freemans Bay, Auckland 1011, NZ
Tel: 0800 464 353
Internet: www.miele.com.au/professional
E-mail: sales@miele-professional.com.au

Singapore

Miele Pte. Ltd.
29 Media Circle, #11-04 ALICE@Mediapolis
Singapore 138565
Tel: +65 6735 1191, Fax: +65 6735 1161
E-Mail: info@miele.com.sg
Internet: www.miele.sg

South Africa

Miele (Pty) Ltd
63 Peter Place, Bryanston 2194
P.O. Box 69434, Bryanston 2021
Tel: (011) 875 9000, Fax: (011) 875 9035
E-mail: info@miele.co.za
Internet: www.miele.co.za

United Arab Emirates

Miele Appliances Ltd.
Showroom 1, Eiffel 1 Building
Sheikh Zayed Road, Umm Al Sheif
P.O. Box 114782 - Dubai
Tel. +971 4 3044 999, Fax. +971 4 3418 852
800-MIELE (64353)
E-Mail: info@miele.ae, Website: www.miele.ae



Manufacturer: Miele & Cie. KG
Carl-Miele-Straße 29, 33332 Gütersloh, Germany