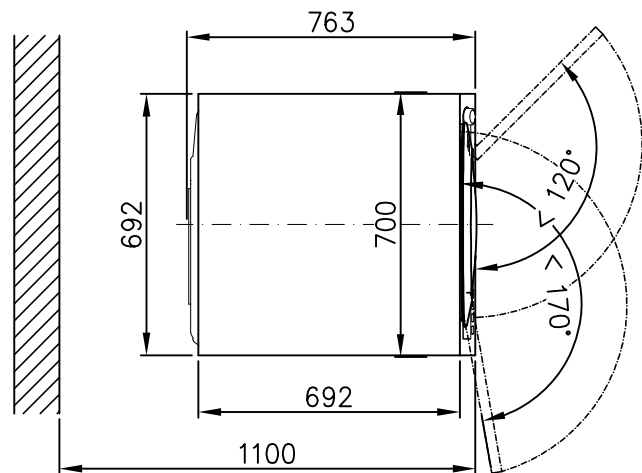
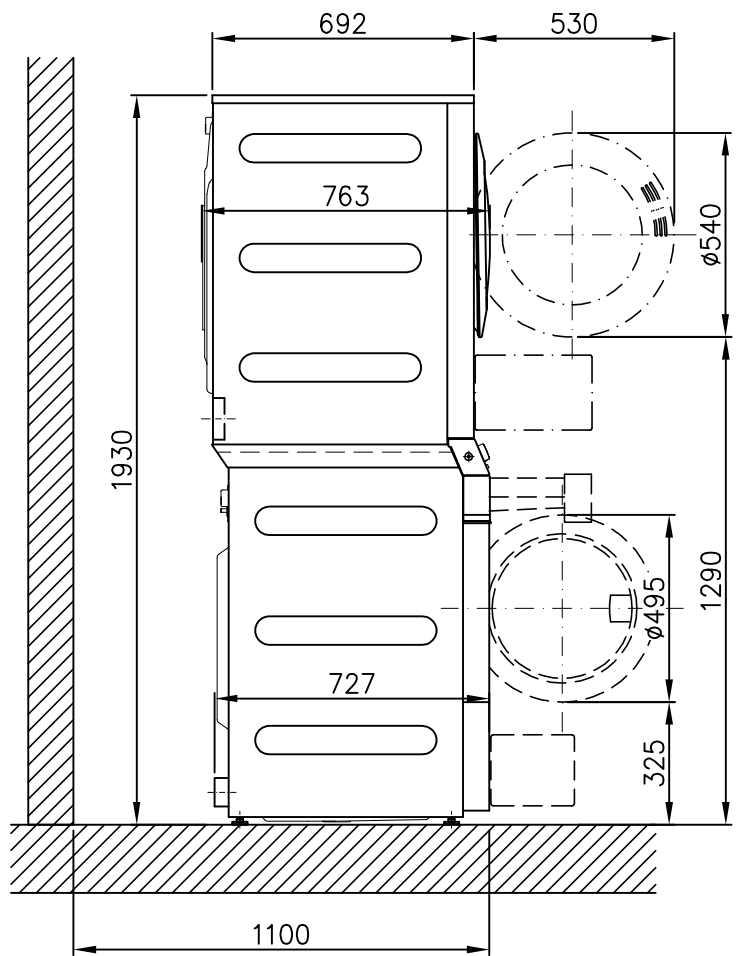
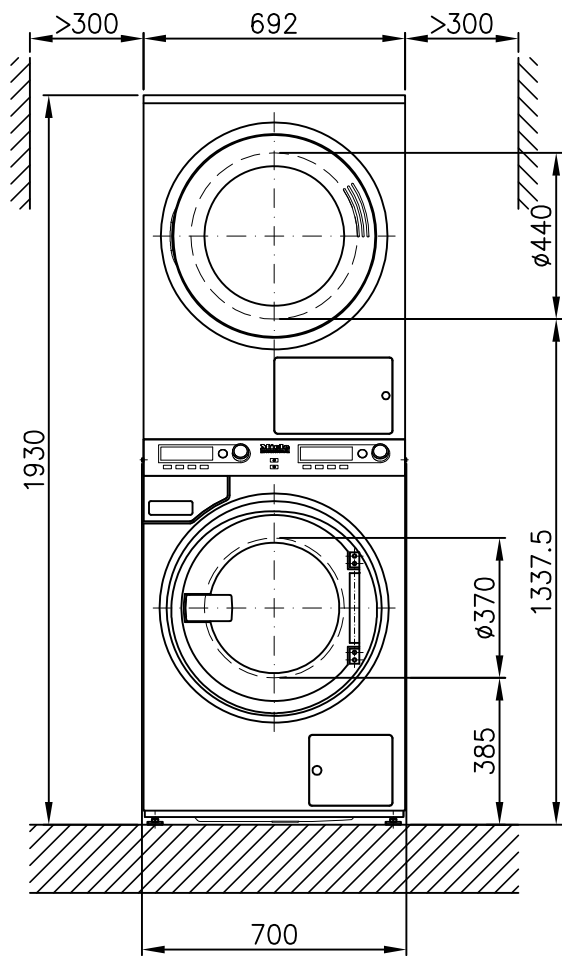


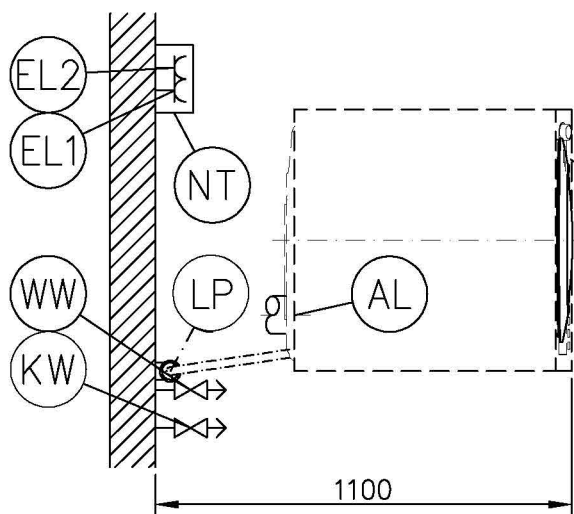
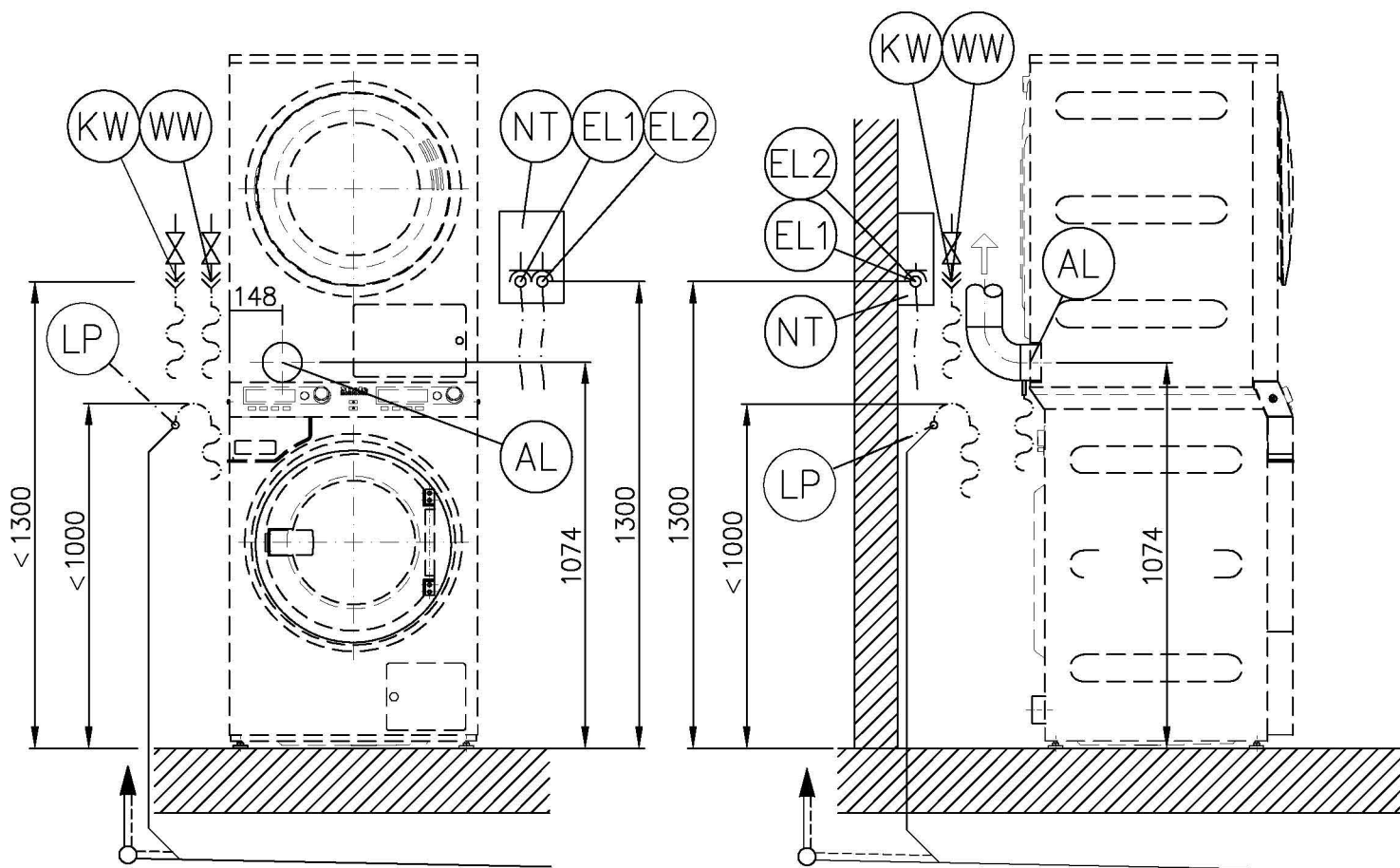
Installation plan
Washer-dryer stack

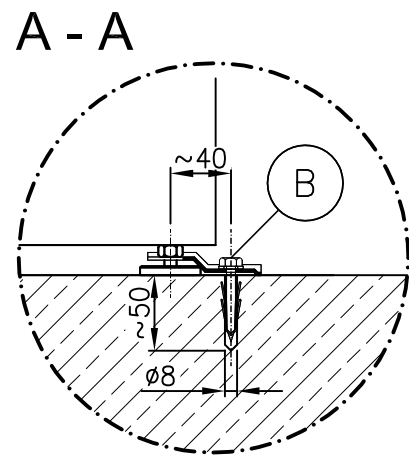
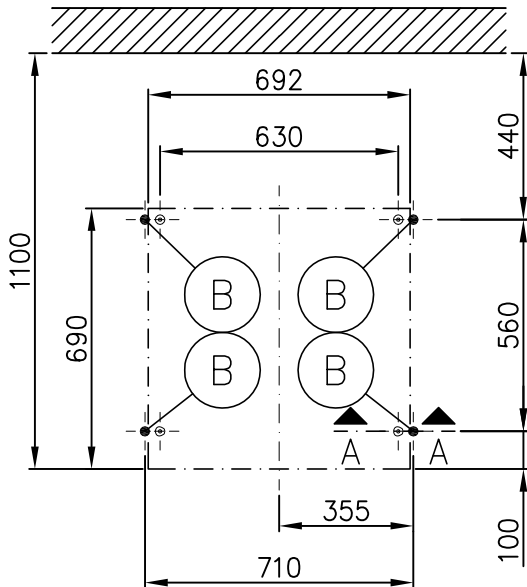
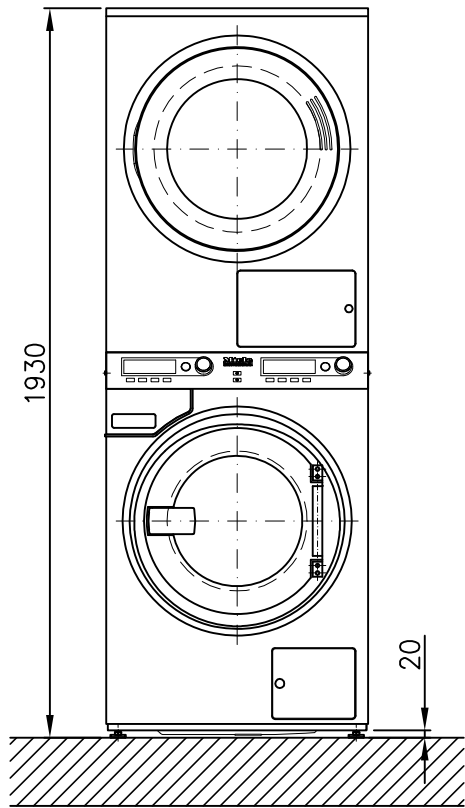


PWT 6089 EL LP

en-GB







Technical datasheet



Washing machine:
Heating:

PWT 6089 LP
Electric (EL)

Legend:



Abbreviations in bold type:
Connection required






Abbreviations in circle with dashes:
Connection optional or required depending on model
version

en - GB

Machine connections:

EL	Electrical connection	Standard voltage - Wash (ex works)	V	3N AC 400
	EL1	Frequency Rated load Fuse rating Supply lead cross-section Length of supply lead Supply lead without plug (supplied)	Hz kW A mm ² mm	50 8.2 3 × 16 5 × 1.5 2000
	EL2	Standard voltage - Dry (ex works) Frequency Rated load Fuse rating Supply lead cross-section Length of supply lead Supply lead without plug (supplied)	V Hz kW A mm ² mm	3N AC 400 50 8.5 3 × 16 5 × 1.5 2000
		The washer-dryer stack is fitted with two flexible supply leads without plugs. Electrical connection must be in full compliance with national regulations and guidelines and with relevant local codes. Similarly, relevant regulations issued by power utilities, occupational safety authorities and insurance companies as well as good installation practices should be observed throughout. Connection to the electricity supply should only be performed by qualified and properly trained persons. Connection of the washer-dryer stack can be hard-wired or using a plug and socket connection in accordance with IEC 60309-1. Plug and socket connection is recommended to facilitate accessibility for electrical safety tests and maintenance.		
Country variations:				
GB	EL1	Standard voltage - Wash (ex works) Frequency Rated load Fuse rating Supply lead cross-section Length of supply lead Supply lead without plug (supplied)	V Hz kW A mm ² mm	1N AC 230 50 5.5 1 × 25 3 × 2.5 2000
	EL2	Standard voltage - Dry (ex works) Frequency Rated load Fuse rating Supply lead cross-section Length of supply lead Supply lead without plug (supplied)	V Hz kW A mm ² mm	1N AC 230-240 50 5.78 - 6.24 1 × 25 3 × 2.5 2000

N,B (EL1)	Standard voltage - Wash (ex works) Frequency Rated load Fuse rating Supply lead cross-section Length of supply lead Supply lead without plug (supplied)	V Hz kW A mm ² mm	3 AC 230 50 8.2 3 × 20 4 × 2.5 1800
	Standard voltage - Dry (ex works) Frequency Rated load Fuse rating Supply lead cross-section Length of supply lead Supply lead without plug (supplied)	V Hz kW A mm ² mm	3 AC 230 50 8.5 3 × 25 4 × 2.5 1800
Non-standard voltages:			
OS 440 (EL1)	Standard voltage - Wash (ex works) Frequency Rated load Fuse rating Supply lead cross-section Length of supply lead Supply lead without plug (supplied)	V Hz kW A mm ² mm	3 AC 440 60 7.9 3 × 16 4 × 1.5 2000
	Standard voltage - Dry (ex works) Frequency Rated load Fuse rating Supply lead cross-section Length of supply lead Supply lead without plug (supplied)	V Hz kW A mm ² mm	3 AC 440 60 8.5 3 × 16 4 × 1.5 2000
(NT)	Mains isolator	<p>Both washer-dryer stack connections must be switched by a joint, all-pole mains isolator in accordance with IEC 60947-1 [Q1].</p> <p>The mains isolator [Q1] and plug connections [EL1, EL2] must be located in the immediate vicinity of the machine. Both must be immediately recognisable and fully accessible.</p> <p>If the mains isolator [Q1] is not in full view of a person performing maintenance work on the machine at all times, the mains isolator must be fitted with a lock.</p> <p>Installation proposals:</p>	

	<p>Cold water (Soft water)</p>	<p>Min. flow pressure Max. pressure Max. throughput On-site connection thread according to DIN 44 991 Length of connection hose (supplied) 1 connection hose Water requirements (average for 60°C ≈programme) Standard connection (hot water fill)</p> <p>Additional requirements if hot water supply is not available.</p> <p>If connected to grey water supply (optional), subtract from cold water volume.</p>	<p>kPa kPa l/min Inch mm l/h</p>	<p>100 1000 11 ¾" external thread 1550 approx. 70</p>
	<p>Hot water (Soft water)</p>	<p>Max. temperature Min. flow pressure Max. pressure Max. throughput On-site connection thread according to DIN 44 991 Length of connection hose (supplied) 1 connection hose Water requirements (average for 60°C programme)</p> <p>Machine can be connected to a hot water supply line with a temperature of 70°C to max. 85°C. This requires a separate inlet hose. This additional inlet hose is available from Miele Spares. The machine must also be reprogrammed by Miele Service or an authorised agent.</p> <p>If hot water is not available, connect hot water hose to cold water valve!</p>	<p>°C kPa kPa l/min Inch mm l/h</p>	<p>70 100 1000 11 ¾" external thread 1550 approx. 70</p>
	<p>Waste water Model versions with drain pump</p>	<p>Max. temperature Drain hose(int. diameter) On-site hose connector for drain hose (int. diameter x length) Max. transient throughput Drain pump head height (from floor level)</p> <p>Vented drainage required. If ventilation is insufficient, fit Miele kit, Mat. no. 05238090. Drain manifolds serving several machines must be of sufficient cross-section.</p>	<p>°C mm mm l/min mm</p>	<p>70 22 [DN 22] 22 x 30 26 1000</p>

United Kingdom

Miele Co. Ltd., Fairacres, Marcham Road
Abingdon, Oxon, OX14 1TW
Professional Sales, Tel: 0845 365 6608
E-mail: professional@miele.co.uk
Internet: www.miele.co.uk/professional

Australia

Miele Australia Pty. Ltd.
ACN 005 635 398, ABN 96 005 635 398
1 Gilbert Park Drive, Knoxfield, VIC 3180
Tel: 1300 731 411
Internet: www.miele.com.au/professional
E-mail: info@miele-professional.com.au

China Mainland

Miele Electrical Appliances Co., Ltd.
1-3 Floor, No. 82 Shi Men Yi Road
Jing' an District, 200040 Shanghai, PRC
Tel: +86 21 6157 3500, Fax: +86 21 6157 3511
E-mail: info@miele.cn, Internet: www.miele.cn

Hong Kong, China

Miele (Hong Kong) Ltd.
41/F - 4101, Manhattan Place
23 Wang Tai Road, Kowloon Bay, Hong Kong
Tel: (852) 2610 1025, Fax: (852) 3579 1404
Email: customerservices@miele.com.hk
Website: www.miele.hk

India

Miele India Pvt. Ltd.
Ground Floor, Copia Corporate Suites
Plot No. 9, Jasola, New Delhi - 110025
Tel: 011-46 900 000, Fax: 011-46 900 001
E-mail: customercare@miele.in, Internet: www.miele.in

Ireland

Miele Ireland Ltd.
2024 Bianconi Ave., Citywest Business Campus, Dublin 24
Tel: (01) 461 07 10, Fax: (01) 461 07 97
E-Mail: info@miele.ie, Internet: www.miele.ie

Manufacturer: Miele & Cie. KG, Carl-Miele-Straße 29, 33332 Gütersloh, Germany

Malaysia

Miele Sdn Bhd
Suite 12-2, Level 12
Menara Sapura Kencana Petroleum
Solaris Dutamas No. 1, Jalan Dutamas 1
50480 Kuala Lumpur, Malaysia
Phone: +603-6209-0288
Fax: +603-6205-3768

New Zealand

Miele New Zealand Limited
IRD 98 463 631
8 College Hill
Freemans Bay, Auckland 1011, NZ
Tel: 0800 464 353
Internet: www.miele.com.au/professional
E-mail: info@miele-professional.com.au

Singapore

Miele Pte. Ltd.
29 Media Circle, #11-04 ALICE@Mediapolis
Singapore 138565
Tel: +65 6735 1191, Fax: +65 6735 1161
E-Mail: info@miele.com.sg
Internet: www.miele.sg

South Africa

Miele (Pty) Ltd
63 Peter Place, Bryanston 2194
P.O. Box 69434, Bryanston 2021
Tel: (011) 875 9000, Fax: (011) 875 9035
E-mail: info@miele.co.za
Internet: www.miele.co.za

United Arab Emirates

Miele Appliances Ltd.
Showroom 1, Eiffel 1 Building
Sheikh Zayed Road, Umm Al Sheif
P.O. Box 114782 - Dubai
Tel. +971 4 3044 999, Fax. +971 4 3418 852
800-MIELE (64353)
E-Mail: info@miele.ae, Website: www.miele.ae