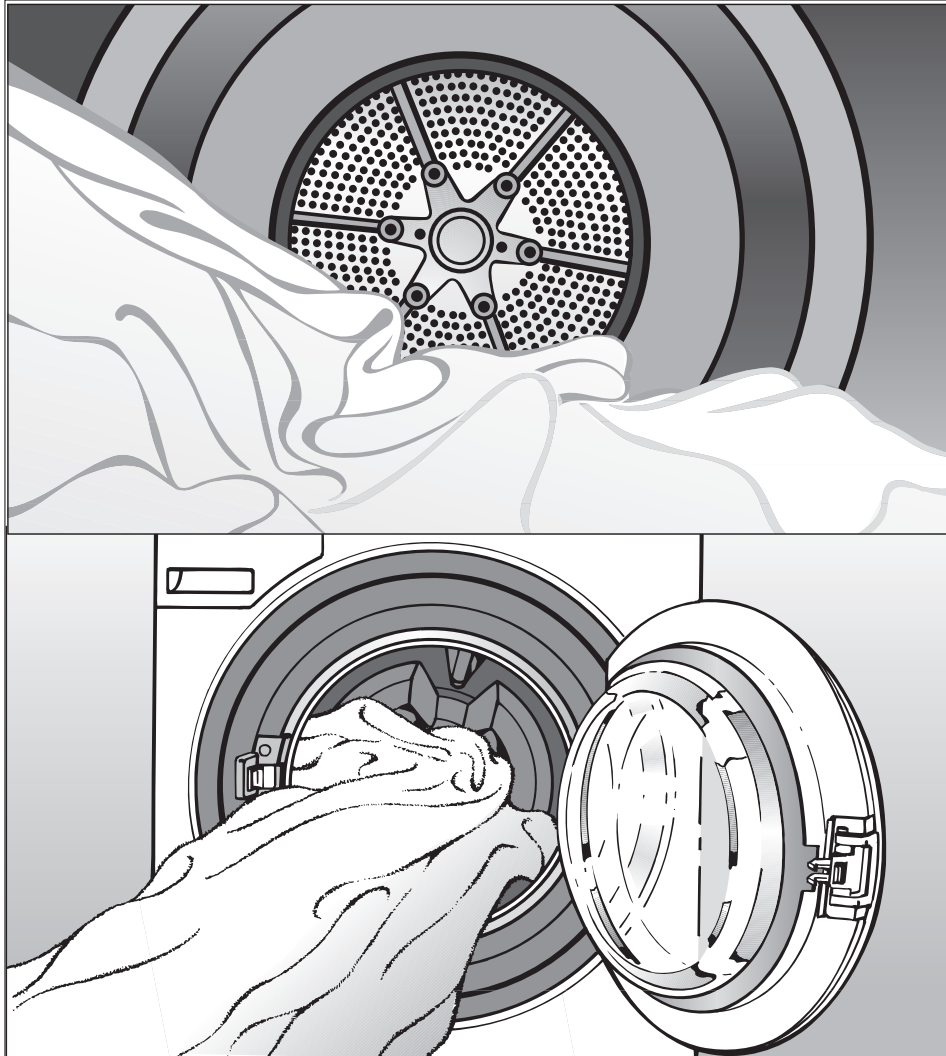


Miele



Operating and installation instructions for washer-extractor and tumble dryer stack

PWT 6089 Vario XL

en - GB

To avoid the risk of accidents or damage to the machine, it is **essential** to read these instructions before it is installed and used for the first time.

M.-Nr. 11 730 010

Caring for the environment

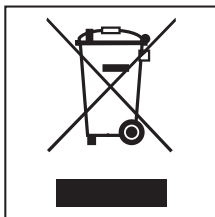
Disposal of the packing material

The transport and protective packing has been selected from materials which are environmentally friendly for disposal and should be recycled.

Ensure that any plastic wrappings, bags etc. are disposed of safely and kept out of the reach of babies and young children. Danger of suffocation.

Disposing of your old appliance

Electrical and electronic appliances often contain materials which, if handled or disposed of incorrectly, could be potentially hazardous to human health and to the environment. They are, however, essential for the correct functioning of your machine. Please do not therefore dispose of it with your general waste.



Please dispose of it at your local community waste collection / recycling centre or contact your dealer for advice. Ensure that it presents no danger to children while being stored for disposal.

Energy saving tips

Energy and water consumption

- Water consumption and energy usage are determined by the size of the load.

To make the most out of your appliance, load the maximum amount for the washing or drying programme you are using.

Detergent

- Do not exceed the amounts of detergent recommended by the manufacturer on the packaging.
- Reduce the amount of detergent for smaller loads.

To avoid unnecessarily long drying times and high consumption of energy:

- Make sure that your laundry is thoroughly spun before drying. The higher the spin, the greater the savings that can be made in energy and time during drying.
- Make sure the room in which the dryer is located is well ventilated.
- Remove the fluff from the filter when necessary (see "Cleaning and Care").
- Check all parts of the ventilation system on a regular basis, and remove any build-up of fluff etc.

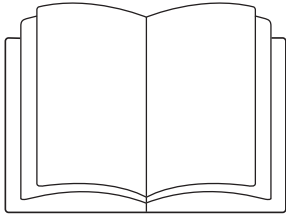
The vent ducting should be as short, straight and smooth as possible to minimise any resistance to the air throughflow.

Caring for the environment	2
Warning and Safety instructions	5
Operating the washer-extractor and tumble dryer stack	17
Control panel	17
Before using for the first time	17
Display	18
Notes and tips on laundry care	23
Garment care label symbols	25
Short washing instructions	28
Selecting a washing programme	32
Extras	35
Pre-wash	35
Starch stop	35
Rinse hold	36
Intensive*	36
Water plus*	36
Timer	37
Spinning	38
To omit the final spin (Rinse hold)	38
Changing the programme sequence	39
Interrupting a programme	39
Cancelling a programme	39
Changing a programme	39
Detergent	40
Water softeners	40
Washing with several components	40
Colour run and dye removers/dyes	40
Fabric conditioners, liquid starch and starch formulations	41
External dispensing system	42
Short drying instructions	44
Selecting a drying programme	48
Timer	51
Changing the programme sequence	52
Payment system	52
Changing a programme once it has started	52

Contents

Cancelling the current programme	52
Adding or removing laundry after a programme has started	52
Power cuts	52
Time remaining	52
Cleaning and care	53
Cleaning the washer-extractor and tumble dryer stack	53
Cleaning the water inlet filters	55
Cleaning the fluff filter	56
Cleaning the filter housing	58
Problem solving guide	60
Opening the drum door in the event of a blocked drain outlet and/or power failure	68
Cleaning the drainage system	69
Opening the drum door	69
Changing the lamp	70
Peak load cut-out.	71
Service interval	71
After sales service	72
Installation and connection	73
Installing the washer-extractor and tumble dryer stack	75
Payment system.	76
Removing the transit bars	77
Levelling the washer-extractor.	79
Installing the tumble dryer	80
Plumbing	83
Water drainage	85
Electrical connection	86
Installation - extraction ducting	87
General	87
To calculate the total duct length	88
Dimensions for exhaust connection.	89
Technical data	95

Warning and Safety instructions



► It is **essential** to read these instructions.

This washer-extractor and tumble dryer stack conforms to current safety requirements. Inappropriate use can, however, lead to personal injury and damage to property.

To avoid the risk of accidents and damage to the machines, please read these instructions carefully before using them for the first time. They contain important information on their safety, installation, use and maintenance.

Keep these instructions in a safe place and ensure that they are made available to new users. They must be made aware of these Warning and Safety instructions. Pass these instructions on to any future users/owners of the machines.

Correct application

► Only use the washer-extractor to wash items which are specified by the manufacturer to be machine-washable on the wash-care label, and textiles composed of hand-washable wool or wool blend fabrics as well as satin, lace, silk and other hand-washable garments. The tumble dryer must only be used for drying fabrics which are marked on the manufacturer's care label as being suitable for tumble drying. Any other applications may be dangerous. The manufacturer cannot be held liable for damage resulting from incorrect or improper use or operation.

Warning and Safety instructions

- ▶ The washer-extractor and tumble dryer stack must be used as described in these instructions and must be checked on a regular basis to make sure it is functioning correctly. Maintenance must be carried out when necessary.
- ▶ The machine is not intended for outdoor use.
- ▶ This appliance stack is not intended for use by people with reduced physical, sensory or mental capabilities, or lack of experience or knowledge, unless they are supervised whilst using it or have been shown how to use it by a person responsible for their safety.
- ▶ Children under 8 years of age must be kept away from the appliance stack unless they are constantly supervised.
- ▶ Children 8 years and older may only use the appliance stack unsupervised if they have been shown how to use it in a safe way and recognise and understand the consequences of incorrect operation.
- ▶ Children must not be allowed to clean or maintain the appliance stack unsupervised.
- ▶ Please supervise children in the vicinity of the washer-extractor and tumble dryer stack and do not let them play with it.
- ▶ It is the operator's responsibility to ensure that the standard of disinfection in thermal as well as chemo thermal procedures is maintained (in accordance with § 18 IFSG and national health and safety regulations) by carrying out suitable validation tests. Disinfection programmes must not be interrupted, as this can have a limiting effect on the disinfection result.
- ▶ If the appliance stack is used in a publically accessible room, it is the supervisor's responsibility to ensure that suitable measures are in place which enable operators to use it safely.

Technical safety

▶ Before setting up the appliance stack, check it for any externally visible damage.

Do not install or use a damaged appliance.

▶ The electrical safety of this appliance stack can only be guaranteed when it is correctly earthed. It is most important that this basic safety requirement is observed and regularly tested, and where there is any doubt the on-site wiring system should be inspected by a qualified electrician. The manufacturer cannot be held liable for the consequences of an inadequate earthing system (e.g. electric shock).

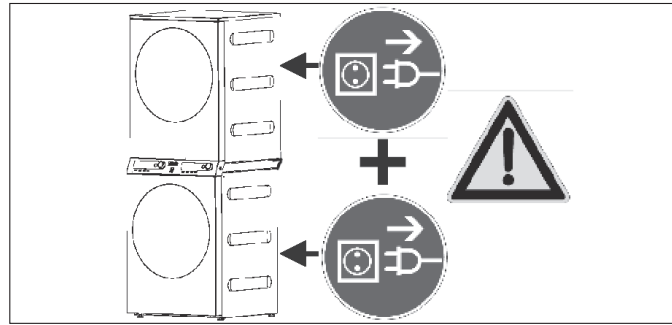
▶ Unauthorised repairs could result in unforeseen dangers for the user, for which the manufacturer cannot accept liability. Repairs should only be undertaken by a Miele approved service technician. If this is not done, any resultant damage will not be covered by the guarantee.

▶ Do not make any alterations to the appliance stack, unless authorised to do so by Miele.

▶ To ensure the correct performance of the appliances and to prevent the risk of faults and fire, it is important to check it and carry out maintenance on a regular basis.

▶ This washer-dryer and tumble dryer stack must only be connected to the on-site water supply using a hose that is in good condition. Old hoses must not be re-used. Check the hose regularly for signs of wear. Change in good time to avoid the risk of leaks and subsequent damage.

Warning and Safety instructions



- ▶ In the event of a fault or for cleaning purposes, the appliance is only completely isolated from the electricity supply when:
 - the connection plugs on the washer-extractor and on the tumble dryer have been withdrawn, or
 - the on-site fuse has been disabled for both the washer-extractor and tumble dryer, or
 - the screw-out fuse has been disabled for both the washer-extractor and the tumble dryer (in countries where this is applicable).
- ▶ Faulty components must only be replaced by genuine Miele original spare parts. Only when these parts are fitted can the safety standards of the appliance be guaranteed.
- ▶ **Do not** use force to open the washer-extractor drum door. The door handle is fitted with a safety device to ensure that the door lock functions correctly.
- ▶ This washer-extractor and tumble dryer stack must not be used in a non-stationary location (e.g. on a ship).
- ▶ In areas which may be subject to infestation by cockroaches or other vermin, pay particular attention to keeping the appliance stack in a clean condition at all times. Any damage which may be caused by cockroaches or other vermin will not be covered by the guarantee.
- ▶ If this appliance stack is being used in a commercial environment please ensure that all relevant health and safety regulations are obeyed.

Warning and Safety instructions

Correct use

- ▶ Do not install the appliance stack in a room where there is a risk of frost occurring. Frozen hoses may burst or split. The reliability of the control unit may be impaired at temperatures below freezing point. The ambient room temperature should be between +2°C and +50°C.
- ▶ Always keep the area around the appliance stack free of dust and fluff. Dust drawn into the appliances can cause blockages over time. Faults can then occur as well as the risk of fire.
- ▶ Before using the washer-extractor and tumble dryer stack for the first time, check that the transit bars at the rear of the washer-extractor have been removed (see section on "Installation and connection"). During spinning, a transit bar which is still in place may result in damage to both the appliance stack and adjacent furniture or appliances.
- ▶ Turn off the stopcock if the appliance is to be left for any length of time (e.g. holiday), especially if there is no floor drain (gully) in the immediate vicinity.
- ▶ Flooding danger.
If hooking the drain hose into a wash basin, check that the water can drain off quickly enough to prevent the sink from overflowing. Make sure the drain hose is secure, so that the force of the water flowing out of the hose does not dislodge it.
- ▶ Take care to ensure that foreign objects (e.g. nails, pins, coins, paper clips) do not find their way into the washer-extractor with the laundry. It is particularly important to ensure that items are free of any metal filings which may be hidden in them. These may damage components of the washer-extractor (e.g. suds container, drum), which in turn can result in damage to the laundry.

Warning and Safety instructions

- ▶ If the correct amount of detergent is dispensed, the washer-extractor should not need to be descaled. If, however, you do wish to descale it, only use proprietary non-corrosive descaling agents and strictly observe the instructions on the packaging. A special descaling agent is available to order from the Miele Spare Parts Department or your Miele dealer. Follow the instructions for use on the packaging carefully.
- ▶ Textiles which have been pre-treated in solvent based cleaning agents must be thoroughly rinsed in clean water before being washed in the washer-extractor.
- ▶ Never use solvent based cleaning agents (e.g. those containing benzene) in the washer-extractor, as this may result in damage to component parts and create toxic fumes. Such agents also pose a fire and explosion hazard.
- ▶ Benzene, petrol, paraffin or any easily flammable liquid must not be stored or used near the appliance stack. Fire and explosion risk.
- ▶ Only use dyes specified by the manufacturer as being suitable for use in a washing machine. Always observe the manufacturer's instructions carefully.
- ▶ Colour run and dye removers contain sulphur compounds which can cause damage such as corrosion. Do not use these products in the washer-extractor.

Warning and Safety instructions

▶ Avoid contact of stainless steel surfaces (front, lid, casing) with liquid cleaning and disinfecting agents which contain chlorine or sodium hypochlorite. These agents can have a corrosive effect on stainless steel.

Aggressive vapours containing chlorine bleach can also be corrosive. Do not store open containers of these agents near the appliance.

▶ Do not use a pressure washer or hose to clean the appliance stack.

▶ It is particularly important to observe manufacturer's instructions when using a combination of cleaning agents and special application products. Only use the product for the application described by the manufacturer to avoid any material damage or the occurrence of strong chemical reactions.

▶ The tumble dryer must only be used when it is connected to a suitable ducting system. The installation site must be adequately ventilated.

▶ The ducting must not be connected to

- a chimney or vent flue which is in use,
- or to ducting which ventilates rooms with fireplaces,
- or to chimneys being used by other appliances.

Smoke or exhaust fumes can cause poisoning.

▶ The fluff filter must be cleaned regularly.

▶ The dryer must not be used without the fluff filter in place or if the fluff filter is damaged in any way. Damaged filters can cause operational faults and blockages in the airways, the heating elements and in the ducting. Fire hazard!

In the event of a damaged filter, switch the dryer off and replace the filter with a new one.

Warning and Safety instructions

▶ Check all parts of the extraction system on a regular basis (e.g. wall vent, external grille, bends in the ducting etc.) and make sure they are all free of any hindrance. A build-up of fluff will prevent a free flow of air through the system. If the dryer is to be connected to an existing ducting system, this must be checked for suitability beforehand.

▶ Adequate ventilation is essential **to avoid the danger of asphyxia and toxic fumes** where another appliance which also uses the room air (e.g. gas, oil or coal fired heater, continuous flow or other water heater) is installed in the same or an adjacent room. To ensure safe operation, and to prevent gases given off by these appliances being drawn back into the room, an underpressure of 4 Pa is the maximum permissible.

Ventilation can be maintained by:

- air inlets in the external wall which cannot be closed or blocked, or
- by fitting a window contact switch which ensures that the appliance can only be operated when the window is open.

If in doubt, the advice of a competent builder must be sought.

▶ If more than one tumble dryer is being installed using a joint ducting system, each dryer must have its own non-return flap to the joint ducting system.

Otherwise the dryers could be damaged, endangering their electrical safety.

▶ Do not allow air contaminated with chlorine, fluorine or other vapours containing solvents to get into the tumble dryer. Fire hazard.

Warning and Safety instructions

► To prevent the risk of fire, the following textiles must not be dried in this tumble dryer:

- items which have not been washed.
- items, such as workwear, which have not been thoroughly cleaned and which are still soiled with grease, oil or other deposits (such as cosmetics, lotions etc).
If items have not been thoroughly cleaned there is a danger that these might ignite when heated, even after they have been removed from the dryer at the end of the programme.
- items which have been treated with inflammable cleaning agents or contain residues of acetone, alcohol, benzene, petrol, stain remover, turpentine, wax, wax remover or other chemicals (e.g. mops and floor cloths).
- items which have been splashed with hair lacquer, hair spray, nail varnish remover or similar substances.

When washing such heavily soiled items ensure that you use sufficient detergent and select a high temperature. If in doubt, wash the items several times.

► To prevent the risk of fire, the following must not be tumble dried in this tumble dryer:

- items which have been cleaned using chemicals (e.g. professional dry-cleaning agents).
- fabrics which contain a large proportion of rubber, foam rubber or rubber-like materials. For example, products made from latex foam rubber, shower caps, waterproof textiles, rubberised articles and items of clothing and pillows with foam rubber filling.
- damaged items which contain padding or fillings (e.g. pillows, jackets). When damaged, the filling can get out with the risk of igniting in the dryer.

Warning and Safety instructions

▶ In many programmes, the heating phase is followed by a cooling down phase to ensure that the items are not too hot to handle when you remove them (this also avoids the danger of the laundry self-igniting). The programme is not finished until the cooling down phase has been completed.

Ensure that you always wait until the end of the programme before removing the laundry.

▶ **Warning:** Do not switch the tumble dryer off before the end of the drying programme. If this was done and the laundry was then removed immediately it could give off a great amount of heat.

▶ Fabric conditioner and similar products must be used according to the instructions on the manufacturer's packaging.

Chlorine and component damage

Notes on using chlorine bleach and perchlorethylene

► Frequent use of chlorine increases the risk of component damage.

The use of agents containing chlorine, such as sodium hypochlorite and chlorine bleach in powder form, can damage the protective upper surface of stainless steel and cause corrosion to components. Factors affecting this are chlorine concentration levels, contact time and temperature. It is therefore advisable to avoid the use of such agents. Oxygen based bleaching agents should be used instead.

If, however, chlorine based bleaching agents have to be used for particular types of soiling, then anti-chlorine measures must also be carried out. If this is not done irreparable damage can occur to components in the machine and to laundry.

Anti-chlorine treatment

Anti-chlorine treatment has to be carried out immediately after chlorine bleach has been used. The use of hydrogen peroxide or an oxygen based cleaning or bleaching agent is recommended and the laundry should not be drained in between.

With thiosulphate, especially when used with hard water, gypsum can form, which can lead to incrustations on laundry or deposits in the machine. The use of hydrogen peroxide is preferable as it aids the chlorine neutralising process.

The exact quantity of additives and the treatment temperatures required must be set and tested on site in accordance with the dosage recommendations of the detergent and additive manufacturers. The laundry must also be tested to check whether it contains any active chlorine residues.

Warning and Safety instructions

Accessories

▶ Accessory parts may only be fitted when expressly approved by Miele. If other parts are used, guarantee, performance and product liability claims will be invalidated.

Disposing of your old appliance

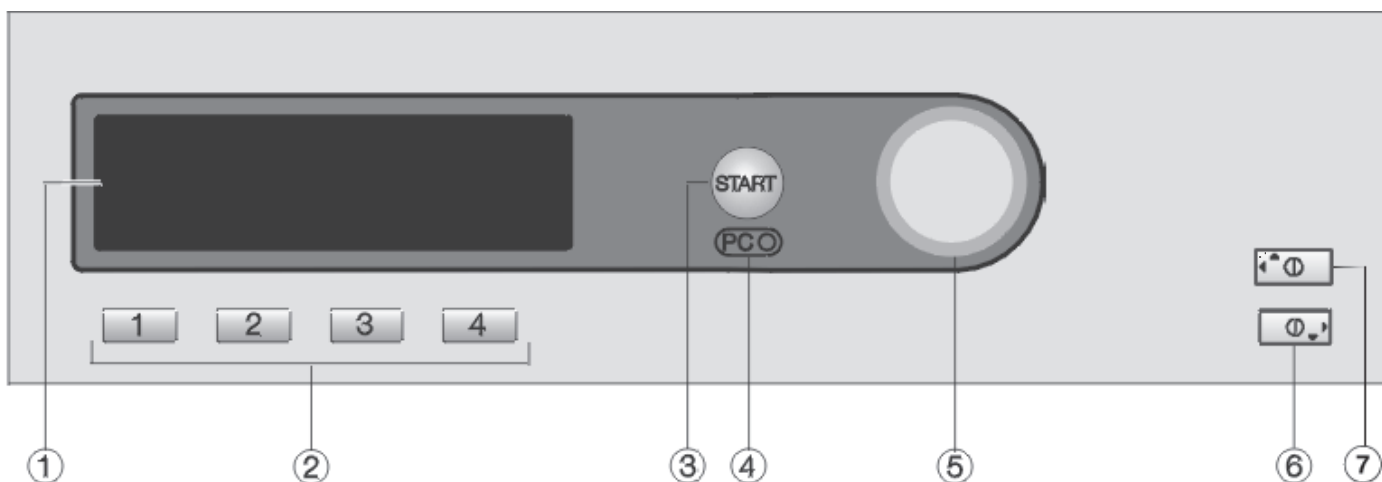
▶ Before disposing of an old washer-dryer and tumble dryer stack, disable the washer-extractor door lock. This way you will prevent children from accidentally locking themselves in and endangering their lives.

Miele cannot be held liable for damage caused by non-compliance with these Warning and Safety instructions.

Operating the washer-extractor and tumble dryer stack

Control panel

Right-hand side for the washer-extractor, left-hand side for the tumble dryer



① Display

See the following pages for more information.

② Short cut buttons

For selecting an individual programme quickly. These buttons can be programmed to select your own favourite programmes.

③ Start button

④ Optical interface PC

This is used by service technicians to run diagnostic checks on your appliance.

⑤ Multi-function selector

This is used to select menu options (by turning it) and to confirm your selection (by pressing it).

⑥ On-Off button ①, washer-extractor

⑦ On-Off button ①, tumble dryer

Before using for the first time

Ensure that it is correctly installed and connected. See "Installation and connection". Also check that the drain filter on the washer-extractor is securely tightened to prevent the risk of leaks during use.



Commission the appliance as described in the separate booklet "Commissioning, Programme chart and Settings" supplied.

Operating the washer-extractor and tumble dryer stack


Display

Entry menu

Washer-extractor display:

1	Cottons Uni.	60°C	Programme selection...
2	Minimum iron	40°C	Settings  ...
3	Delicates	40°C	
4	Woollens 	30°C	10:00

Tumble dryer display:

1	Cottons	Programme selection ...
2	Minimum iron	Settings  ...
3	Woollens handcare	
4	Smoothing	10:00

When switched on, the entry menu (with four favourite programmes listed) appears in the display and *Programme selection* is highlighted.

Multi-function selector


Turning the multi-function selector moves the highlighting to the next option.

Pressing the multi-function selector selects the highlighted option.

Shortcut buttons

Pressing a shortcut button selects one of the four favourite programmes shown on the left of the display.

If you wish to change the programmes shown in this list you can do so (see "Saving a programme as a favourite" for more information).

The shortcut buttons have different functions in the other menus. Where this is the case, an arrow  will appear in the display above the shortcut button, together with a description of its function.

Operating the washer-extractor and tumble dryer stack

Programme selection

There are two ways of selecting a programme:

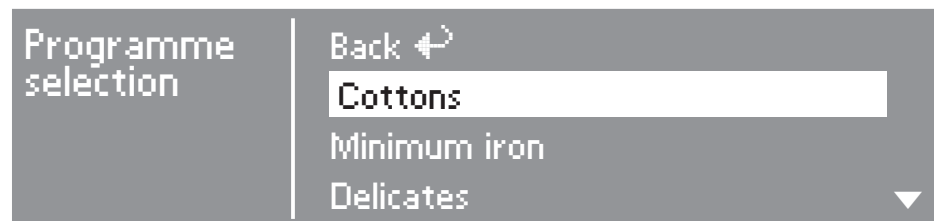
- Option 1: Select the *Programme selection* menu in the display and confirm your selection by pressing the multi-function selector.
- Option 2: Press shortcut button **1**, **2**, **3** or **4**. This will automatically take you into the main menu for that programme.

Programme selection menu

Washer-extractor display:



Tumble dryer display:



You can use the multi-function selector to select any programme. The highlighting will move up or down depending on the direction in which the multi-function selector is turned.

The ▼▲ arrows on the right of the display, indicate further options.

Pressing the multi-function selector takes you to the main menu of the programme selected.

Operating the washer-extractor and tumble dryer stack

Wash programme main menu



Turn the multi-function selector to highlight programme, temperature or spin speed. Pressing the multi-function selector selects the highlighted option and opens the relevant sub-menu.

The sub-menus *Extras* and *Timer* can be accessed by pressing the shortcut button directly below them.

To go back to the entry menu press shortcut button 4 below the word *Back*.

Alternatively, you can also highlight and confirm all options by just using the multi-function selector.

Drying programme main menu



- Turn the multi-function selector to highlight either the "Drying level" or the "Programme".
- Pressing the multi-function selector selects the highlighted option and opens the relevant sub-menu.
- *Low temperature* and *Timer* can be selected by pressing short cut buttons 1 or 2.
- To return to the entry menu press short cut button 4.

Alternatively, you can also highlight and confirm all options by just using the multi-function selector.

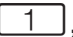
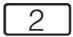
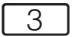
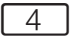
Operating the washer-extractor and tumble dryer stack

Settings menu

The *Settings* menu is used to alter the electronics of the washer-extractor and tumble dryer stack to suit different requirements. See the relevant section of the separate washer-extractor or tumble dryer "Commissioning, Programme chart and Settings" booklet for further information on how to alter settings.


Operating a wash-salon machine

The entry menu will vary depending on the *Controls* setting selected.

The machine is operated either with the shortcut buttons , , ,  or the multi-function selector.

WS shortcut keys, basic

Washer-extractor display:

1	Cottons Uni.	60°C
2	Minimum iron	40°C
3	Delicates	40°C
4	Woollens 	30°C

Tumble dryer display:

1	Cottons	Normal+
2	Minimum iron	Normal
3	Woollens handcare	
4	Cool air	

4 programmes are available to choose from. To specify which programmes are available go to the *Settings/supervisor level* menu.

Operating the washer-extractor and tumble dryer stack

WS - Shortcut keys + Logo

Washer-extractor display:



12 programmes are available to choose from. To specify which programmes are available go to the *Settings/supervisor level* menu.

WS - shortcut keys + Logo

Tumble dryer display:



12 sensor drying and timed programmes are available to choose from. To specify which programmes are available go to the *Settings/supervisor level* menu.

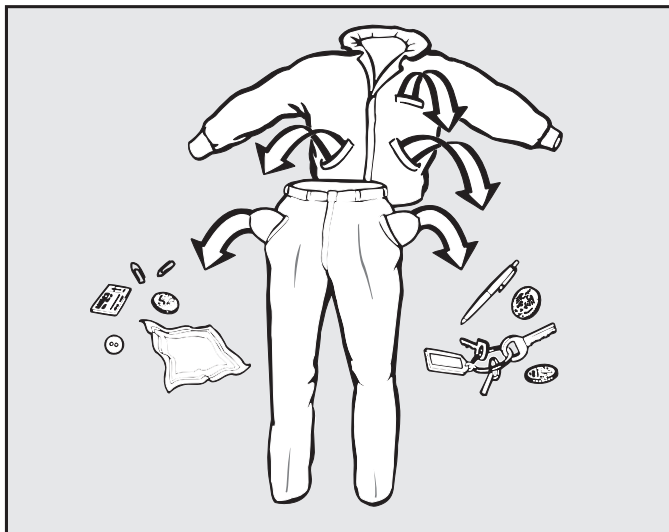
WS shortcut keys, ex/int time.

Tumble dryer display:



4 timed programmes with different temperature levels are available to choose from. To specify which programmes are available, go to the *Settings/supervisor level* menu.

1. Sort the laundry for washing



- Empty all pockets.

⚠ Foreign objects (e.g. nails, coins, paper clips, etc.) can cause damage to textiles and to components in the washer-extractor.

Removing marks

- Badly soiled areas, stains etc. should be cleaned as soon as possible, preferably whilst still fresh. Spillages should be carefully dabbed off using a soft, colourfast cloth. Do not rub.

Badly soiled areas can be pre-treated with liquid detergent, stain removers etc. first, following the manufacturer's instructions. With particularly stubborn stains ask your dry cleaner for advice.


⚠ Do not use solvent-based cleaning agents in the washer-extractor.

Sorting laundry

- Sort the laundry by colour and by care label. Most garments have a textile care label in the collar or side seam.

Dark textiles often contain excess dye and should be washed separately several times before being included in a mixed load. Always wash whites and coloureds separately.

- Curtains: Remove lead weights first or place in a laundry bag.
- Underwiring and collar stiffeners: Any loose wiring in bras, shirt collar stiffeners, etc. should be removed or sewn in.
- Knitted garments, trousers and jeans, T-shirts and sweat shirts - turn inside out, if recommended by the manufacturer.
- Close any zips, fasten hooks and eyes etc before washing.
- Fasten duvet covers, pillow cases etc. to prevent small items from being rolled up inside them.
- See "Programme chart" in separate booklet supplied for further tips.

Do not wash any items in the washer-extractor which are specified by the manufacturer as **not washable** on the care label ( symbol).

Notes and tips on laundry care

2. Load the washer-extractor drum


- Switch the washer-extractor on with the On/Off button ①.
- To open the drum door pull on the handle.

Do not use force as it is fitted with a safety device to prevent it being opened by mistake. Forcing the door handle can cause damage to the locking mechanism (see "Problem solving guide, The door will not open").

- Unfold the laundry and load loosely into the drum. Mixing both large and small items gives better wash results and also helps distribute the load evenly during spinning.

The most efficient use of energy and water is achieved when a full load is washed. However, do not overload as this causes creases and reduces cleaning efficiency.

- Close the drum door. Press the door firmly to shut it and then lock the handle in position. Do not slam the drum door.

 Make sure that no items are caught between the door and the drum.

3. Select a programme

- Select the most appropriate programme for the load being washed.

See "Programme chart" in the separate booklet supplied for details of which programmes are available.

Garment care label symbols

Washing

The figure quoted in the bucket is the maximum temperature the garment can be washed at. The number of bars under the symbol indicate the level of agitation permitted.

	No bar under the symbol: = normal agitation
	One bar under the symbol: = reduced agitation
	Two bars under the symbol: = much reduced agitation
	Hand wash (if no temperature is specified use the lowest temperature or cold)
	Do not wash

Programme selection

Programme	Care label symbols
Cottons	
Minimum iron	
Delicates	
Woollens	
Quick wash	

Drying

The number of dots indicates the drying temperature

	Normal temperature
	Low temperature
	Do not tumble dry

Ironing

The number of dots indicates the ironing temperature

	Hot iron (max sole plate temp. approx. 200°C)
	Medium hot iron (max sole plate temp. approx. 150°C)
	Cool iron (max sole plate temp. approx. 110°C). Do not steam iron garments carrying this symbol.
	Do not iron

Professional cleaning

	Dry clean only. The letters indicate the type of cleaning agent required.
	Professional Wet Clean only
	Do not dry clean

Bleaching

	Any oxidising bleaching agent can be used
	Only use an oxygen based bleach or a non-chlorine bleach
	Do not bleach


Garment care label symbols


1. Sort the laundry for drying

Before drying

- Wash heavily soiled items very thoroughly, ensuring that you use sufficient detergent and select a high temperature. If in doubt, wash the items several times.
 - Do not put soaking wet items into the tumble dryer. Make sure that your laundry is thoroughly spun before drying.
The higher the spin, the greater the savings that can be made in energy and time during drying.
 - New dark-coloured garments should be washed and dried separately from light-coloured garments the first few times, to avoid the risk of colours running and discolouring other garments or even the plastic components in the dryer.
Dark-coloured fibres can also settle on light-coloured garments and vice versa.
 - Starched laundry can be dried in the tumble dryer. To achieve the usual finish, double the amount of starch should be used.
 - Check the seams of padded or down-filled items to prevent the risk of fillings coming out. These could catch fire in the tumble dryer.
 - Tie together textile belts and apron ties to stop them getting tangled.
 - Fasten duvet covers etc. to prevent small items from being trapped inside them. Fasten hooks and eyes.
- Stitch in or remove loose underwiring from bras.
 - Leave jackets open and undo any long zips so that textiles dry evenly.
 - For an even drying result, it is important to . . .
 - . . . spin,
 - . . . shake out,
 - . . . and sort items according to fabric type, size, care label and the drying level required.

2. Load the tumble dryer

 Using the tumble dryer incorrectly could cause a fire. Read the "Warning and Safety instructions" before using the dryer.

 Make sure that objects, e.g. detergent dispensing balls, have been removed from the laundry. They could melt and cause damage to the dryer or the laundry.


- Do not overload the drum. Overloading can cause unnecessary wear and tear to the laundry, give a disappointing drying result and cause more creasing.
- To save energy, always observe the maximum load for each programme (see the separate booklet "Commissioning, Programme chart and Settings").
- Minimum iron fabrics tend to crease more the greater the load. This is also the case for garments made from very fine weave fabrics, such as shirts or blouses. If necessary, reduce the size of the load for these types of fabrics.

3. Select a programme

- On many programmes, different drying levels can be selected depending on individual requirements
. . e.g. *Normal+* for laundry that you want to fold and put away immediately after drying.

. . . e.g. *Machine iron* or *Hand iron* if the laundry needs to be ironed after drying.

See separate booklet "Commissioning, Programme chart and Settings".

- For delicate fabrics with the  care label, select *Low temperature* as well.
- Down-filled garments have linings which have a tendency to shrink, depending on the quality of the item. They can be partially dried using the *Smoothing* programme.
- Pure linen items should only be machine dried if specified as suitable by the manufacturer on the care label, as the surface of the fabric may otherwise become rough. They can be partially dried using the *Smoothing* programme.
- Woollens and wool blends tend to become matted and shrink if dried in a tumble dryer. Only dry these fabrics in the *Woollens handcare* programme.
- Loopknit garments (e.g. T-shirts and underwear) tend to shrink depending on their quality. Do not over-dry . When purchasing these garments it is advisable to take their shrinkage properties into account.

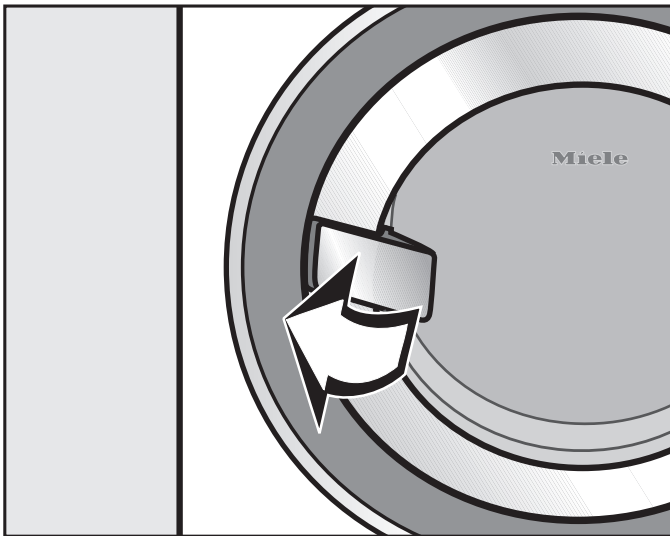
Short washing instructions

⚠ It is very important to read the "Notes and tips on laundry care" section before proceeding.

① Sort the laundry

② Load the washer-extractor drum

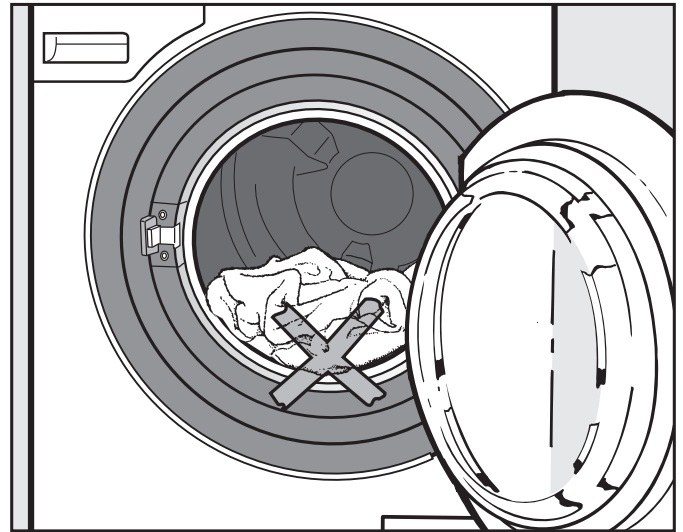
- Switch on the washer-extractor.



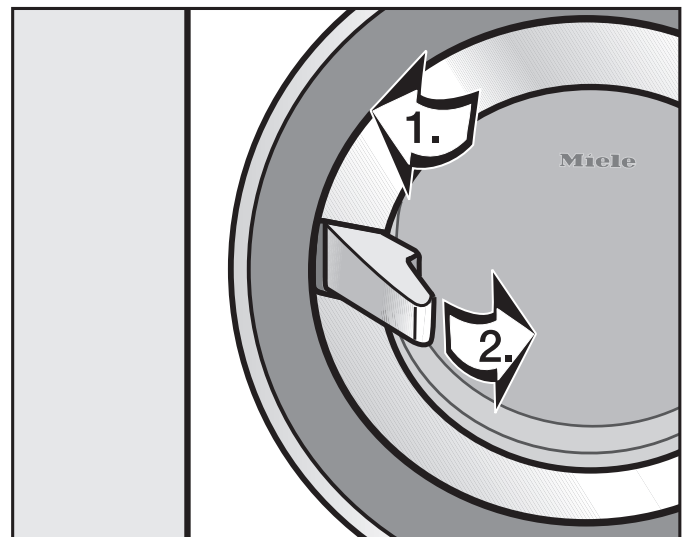
- Open the drum door with the handle.



- Unfold the laundry and load loosely into the drum.



⚠ Make sure that no items are caught between the door and the drum.



- Close the drum door.
 1. Push the door shut.
 2. Then lock the handle in position.

Short washing instructions

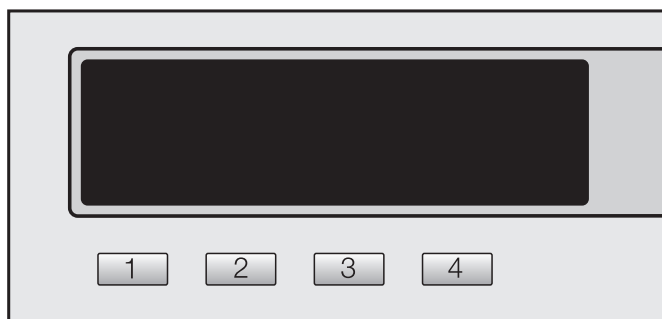
3 Select a programme

Programme descriptions

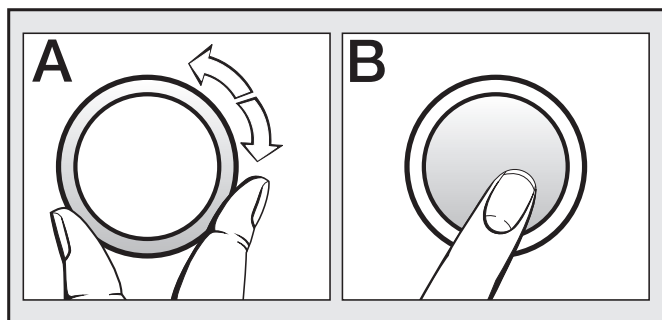
- See separate booklet "Commissioning, Programme chart and Settings".

You can select a programme either by:

- Using the appropriate short cut button to select one of the four programmes listed in the display ("favourites"), or



- Select the programme you require from the *Programme selection* menu.



- If required, you can then select any Extras and/or *Timer* for Delay start from the relevant sub-menu.

Payment system

If your machine is connected to a payment system, the amount of credit required will appear in the display.

If a programme is cancelled after it has started you can lose your credit (depending on how the washer-extractor was set up).

Short washing instructions

4 Add detergent

Take the level of soiling and water hardness into account.

Too little detergent results in:

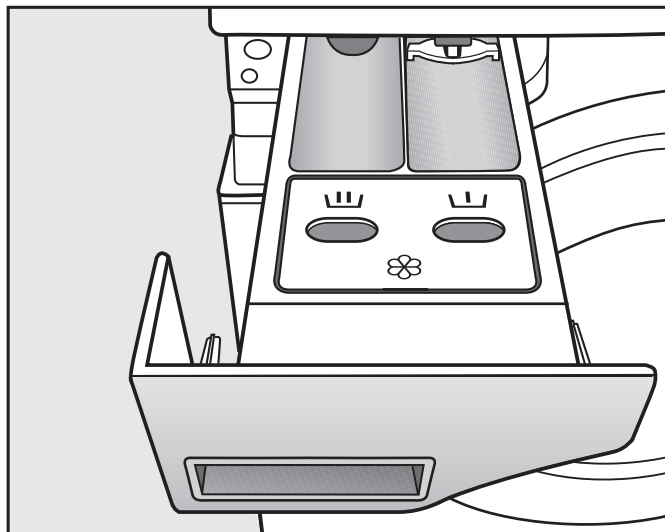
- Laundry not getting properly clean, and with time may become grey and hard to the touch.
- Greasy particles clinging to laundry.
- Limescale deposits on the heater elements.

Too much detergent results in:

- Excessive foam which causes a low level of agitation and poor wash, rinse and spin results.
- A burden to the environment.

See "Detergent" for further information.

This machine is set up for connection to an optional external dispensing system for dispensing liquid agents (see "Detergent - External dispensing system").



- Pull out the detergent drawer and add detergent to the compartments as follows:

☰ = Detergent for the pre-wash

☰ = Detergent for the main wash

☼ = Fabric conditioner, liquid starch or proofing agent

- Close the detergent drawer.

The detergent drawer must not be opened during a programme. It must remain closed whilst the machine is in use.

The ☼ compartment is not used during Disinfection programmes. Do not put anything in the ☼ compartment.

Short washing instructions

5 Start the programme

The *Start* button will flash as soon as a programme can be started.

- Press the *Start* button.

The Start button will now light up constantly.

The estimated programme duration will appear in the display. This will count down in one minute steps. During the first 10 minutes the machine measures how much water is being absorbed by the laundry. The programme duration may be shorter depending on this absorbency rate.

The programme sequence is also shown in the display. The machine lets you know which section of the programme has been reached.

Once washing is in progress, you can press the following short cut buttons:

- Button 1 *Extras* can be used to select or de-select extras.
- Button 2 *Timer* can be used to call up the current time of day and to see the estimated end time of the programme.
- Button 4 *Cancel* cancels the current programme. The suds are pumped away immediately.

6 Unload the drum

Finish will appear in the display.

- Open the drum door.
- Remove the laundry.

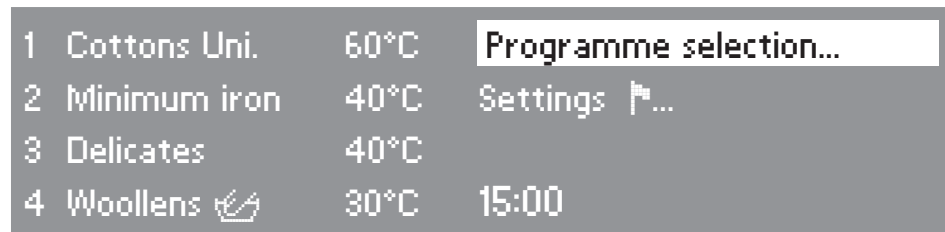
Check that all items have been removed from the drum. Items left in the drum could discolour other items in the next wash or become discoloured themselves.

- Close the drum door. Otherwise there is the danger of objects being placed inadvertently in the drum. If these remained unnoticed and were washed in the next load, they could damage the laundry.
- Switch the machine off using the *On/Off* button.

Selecting a washing programme

Selecting/changing a programme

Entry menu



- Press short cut button .

Main menu



- By turning the multi-function selector you can then highlight the following options in the display: Programme, Temperature or Spin speed and confirm your selection by pressing the multi-function selector.

Depending on the option highlighted, the following will be displayed:

– Programme selection

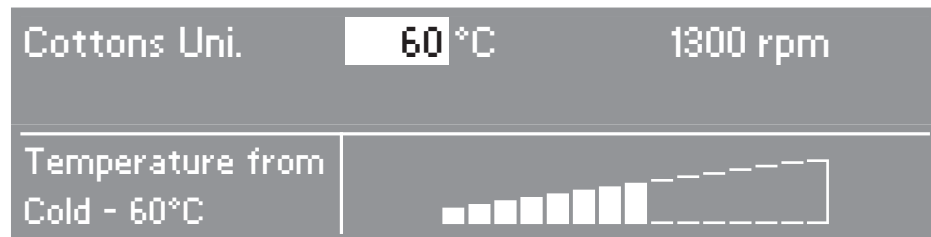


- Use the multi-function selector to select the programme you want, and confirm your selection. The main menu will reappear.

Selecting a washing programme

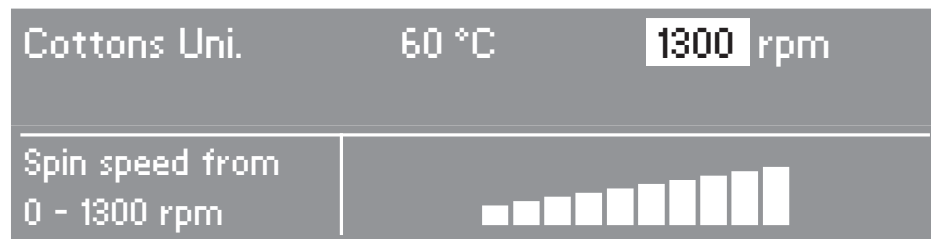
Note: If you do not make a selection in the sub-menu within approx. 15 seconds, the display will revert to the main menu.

– Temperature selection



- Use the multi-function selector to select the temperature you want and confirm your selection. The main menu will reappear.

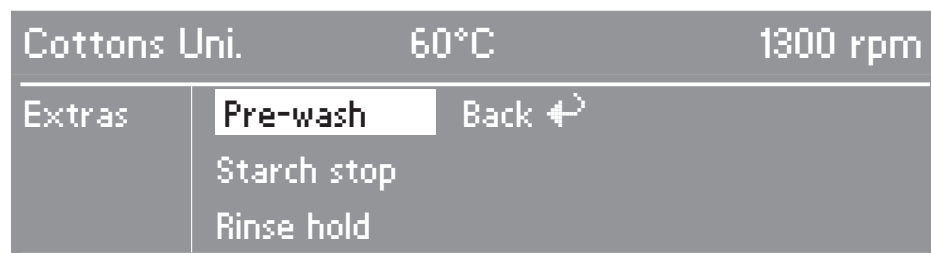
– Spin speed selection



- Use the multi-function selector to select the spin speed you want and confirm your selection. The main menu will reappear.

Select an extra option(s)

- Press short cut button . This opens the *Extras* sub-menu.

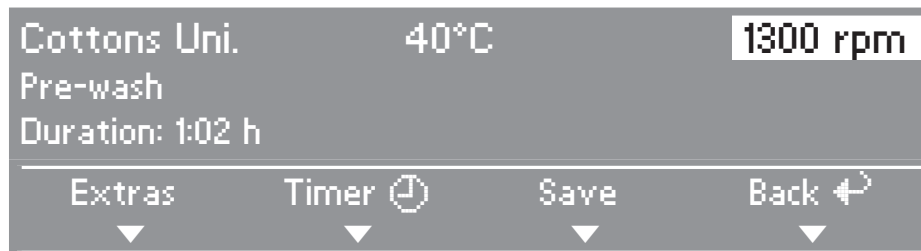


- Use the multi-function selector to select the Extra you want and confirm your selection. The main menu will reappear. Repeat the process if you want to select another extra. See "Extras" for more information.

Selecting a washing programme

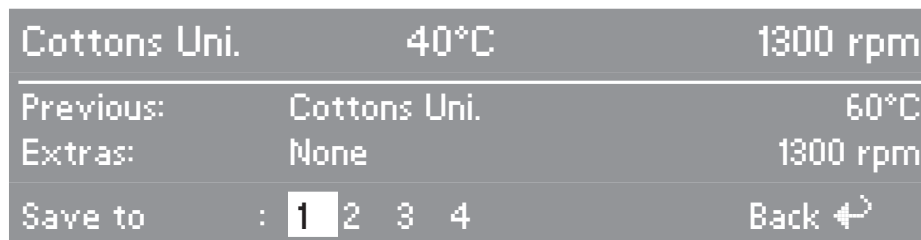
Saving a programme as a favourite

You can programme the short cut buttons to call up the four wash programmes you use most frequently. The *Save* option must be activated via the *Settings/Supervisor level* menu before the short cut buttons can be programmed.



- Press short cut button .

Selecting a short cut button

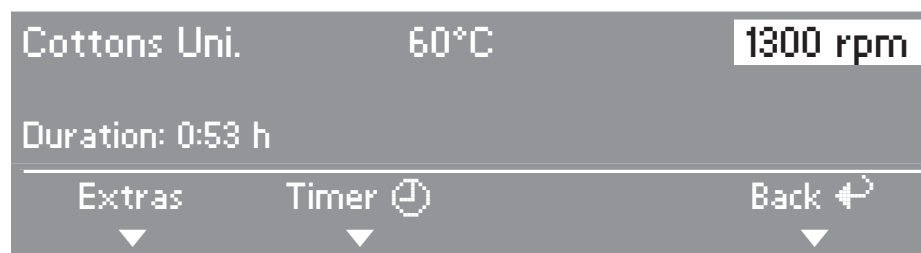


- Use the multi-function selector to select the number you want to save the programme to, and confirm your selection. Your settings have now been saved and the favourite programme will appear in the entry menu.

Repeat the procedure if you want to customise other favourite programmes, and save them to short cut buttons which have not yet been used.

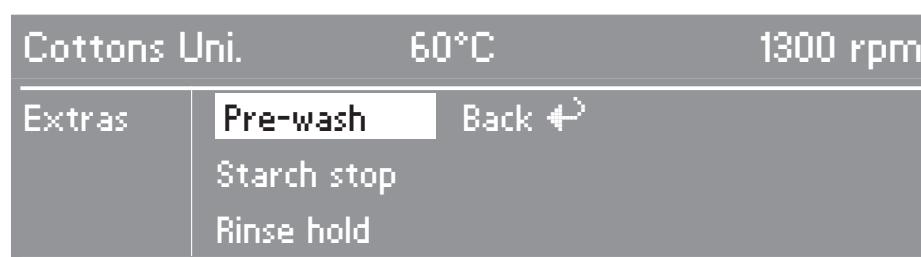
You can use the *Extras* option to augment the basic wash programmes.

To open the Extras sub-menu



- Press short cut button 1. This opens the *Extras* sub-menu.

Select an Extra option(s)



- Use the multi-function selector to select the Extra you want and confirm your selection.
 - Repeat the process if you want to select another Extra.
 - A tick will appear to show that an Extra has been selected.

Pre-wash

For laundry with large amounts of dirt (e.g. dust, sand).

Starch stop

Water is drained out of the machine before the last rinse and the programme stops.

The programme can be continued once starch has been added to the laundry in the drum. For more information about this see "Detergent - Adding starch separately".

Extras

Rinse hold

The laundry is not spun after the last rinse and remains suspended in the final rinse water. This reduces creasing if the laundry is not going to be removed from the drum immediately after the end of the programme.

Intensive*

For heavy soiling or where staining is visible.

The duration of the main wash and rinses is increased.

Water plus*

The machine is set at the factory so that the water level in the main wash and rinses will be increased if the *Water plus* Extra option is selected.

However, you can select other settings for *Water plus*. See the separate booklet supplied with the machine for details under *Settings/Supervisor level*.

*Intensive and *Water plus* have to be set in the *Settings/Supervisor level* menu. See separate "Commissioning, Programme chart, Settings" booklet.

Any Extras that are available for a programme will be listed in the Extras sub-menu. If an Extra is not displayed, it is not available for use with the programme selected.

The timer can be used to select the time you want the programme to finish. The start of a programme can be delayed from 30 minutes up to a maximum of 24 hours,

To open the Timer sub-menu



- Press short cut button below the word Timer. This opens the *Timer* sub-menu.

To select a delay start time

You can enter the end time for a programme in 30 minute stages.



- Use the multi-function selector to select the programme end time and confirm your selection.
The programme end time will be adjusted to the next full or half hour.
The start of the programme will now be delayed in parallel with the programme end time you have selected.

To start the timer

- Press the *Start* button.

The delay start time will be shown counting down in minutes.

To cancel the timer

- Press short cut button .

The actual load size can only be determined accurately by the machine once the programme has started. This can cause the finish time for the programme to vary.

Spinning

Maximum final spin speed

The maximum final spin speed will depend on the programme chosen.

You can reduce the final spin speed. However, you cannot select a final spin speed higher than that permitted for the programme selected.

Rinse and interim spin

There is a spin after the main wash and between the rinses. A reduction in the final spin speed will also reduce the interim spin speed.

To omit the final spin (Rinse hold)

- Select *Rinse hold* from the *Extras* sub-menu. The laundry will not be spun and will remain suspended in the final rinse water. This reduces creasing if the laundry is not going to be removed from the drum immediately after the end of the programme.

- To start the final spin:

The Spin speed is highlighted in the display.

- Start the final spin by pressing the Start button.

- You can alter the spin speed.

- Press the multi-function selector and change the spin speed shown.

- Then confirm your choice. The spin will start straight away.

- To end the programme:

- Press short cut button *Cancel*. The water will drain away.

- Open the drum door.

To omit the spin between rinses and the final spin

- Select *Without spin* from the Spin speed sub-menu. The water will be pumped away after the last rinse cycle.

Changing the programme sequence

Payment system

Credit will be lost if the programme cancelled after it has started.

Interrupting a programme

You can interrupt a programme which is in operation at any time.

- Switch the washer-extractor off with the ① button.

To continue with the same programme:

- Switch the washer-extractor back on again with the ① button.
- Confirm the message shown in the display and press the *Start* button.

Cancelling a programme

You can cancel a programme at any time after it has started:

- Press short cut button *Cancel*.

The suds will be pumped away.

- Open the drum door before starting a new programme.

Changing a programme

- After starting a programme you can change the spin speed at any time up until the final spin commences and you can select or deselect the *Starch stop* and *Rinse hold* extras.
- You can change the temperature and select or deselect the *Intensive* and *Water plus* options during the first 5 minutes of a programme.

You will not be able to change or cancel the programme or open the door if:

- a Disinfection programme is running.
- A payment system is connected to the machine (depending on setting it may be possible to cancel a programme. See Settings *Coin mechanism lock*).

Detergent

Detergent dispensing

Please follow the detergent manufacturer's instructions.

Instructions for use and recommended amounts for a full load are given on the detergent packaging.

The right amount to dispense will depend on the following:

- The size of the load
- The soiling level of the load
- The water hardness level.
Check with your local water supplier if you do not know the hardness level in your area.

The water hardness level


Hardness-range	mmol/l	gr/gal
I (soft)	0 - 1.5	0 - 8.4
II (medium)	1.5 - 2.5	8.4 - 14
III (hard)	Above 2.5	Above 14

Water softeners

A water softener can be used to cut down on the use of detergents in hard water areas. Dispense according to the amount specified on the packaging. First add detergent and then the water softener.

Use a quantity of detergent as for soft water.

Washing with several components

If you wash using several components (e.g. special application detergents), we recommend always dispensing the agents into compartment  in the following order:

1. Detergent
2. Water softeners
3. Stain remover

This way the agents are distributed more evenly.

Colour run and dye removers/dyes

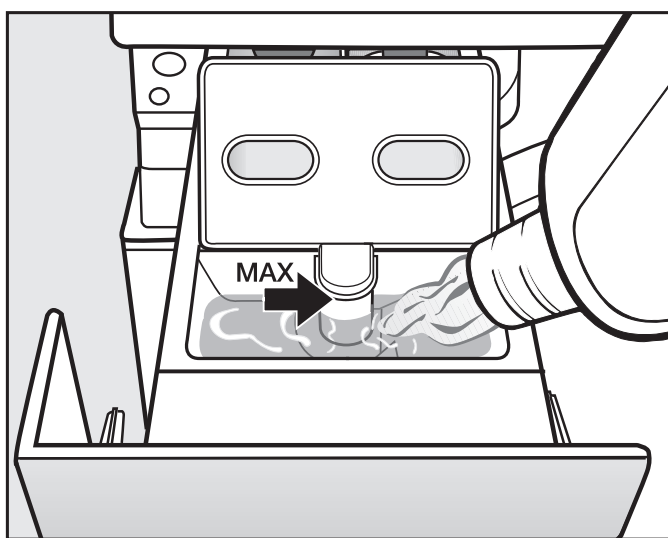
- Do not use colour run or dye removers in this machine.

Dyes suitable for use in a washing machine can be used. However, please note that the salt used in the dyeing process can cause corrosion to stainless steel components in the machine if you dye frequently. Always observe the manufacturer's instructions carefully.

Fabric conditioners, liquid starch and starch formulations

- Dispense according to the amount specified on the packaging.

Automatic dispensing of fabric conditioner or liquid starch to laundry at the end of a programme



- Add the fabric conditioner or liquid starch to compartment ☼. **Do not exceed the maximum level mark.**

It will be automatically dispensed in the last rinse. At the end of the programme a small amount of water remains in the fabric conditioner compartment ☼.

If starching frequently, thoroughly clean the dispenser compartment, especially the siphon tube and fabric conditioner channel, regularly. See "Cleaning the detergent dispenser drawer". Do not use powder starch formulations or viscous liquid starch in the ☼ compartment as it will clog up.

Adding fabric conditioner or liquid starch separately

- Add fabric conditioner or liquid starch to compartment ☼.
- Select the *Separate rinse* programme.
- Press the *Start* button.

Adding starch separately

- Prepare the starch solution in accordance with the manufacturer's instructions on the packaging.
- Add the prepared starch to compartment □.
- Select the *Starch* programme.
- Press the *Start* button.

Adding starch separately using Starch stop

- Prepare the starch solution in accordance with the manufacturer's instructions on the packaging.
- Before starting a programme select the *Starch stop* extra option. The programme and the "time left" indicator will pause before the last rinse. *Starch stop* will appear in the display.
- Open the drum door and add the prepared starch to the laundry in the drum.
- Close the drum door.
- Select and confirm a spin speed, or
- press the *Start* button.

Detergent

External dispensing system

The washer-extractor is fitted with an adapter for an external dispensing system. Up to six dispensing hoses (not supplied) can be connected to the washer-extractor. The external pumps are controlled by relays in the washer-extractor. Each relay is switched on for 2 minutes at a time.

A conversion kit is required for the washer-extractor to be operated using an external dispensing system. This must be fitted by a Miele approved service technician.

The relay is controlled as described in the separate booklet supplied. The containers must be filled with the correct detergent or disinfectant in the order specified.

Empty sensor

When the *Empty sensor* is activated, a message appears in the display to show when an external liquid agent container is empty (see *Settings/Supervisor level* in the separate booklet supplied).

If a container is empty, the following message will come up in the display before the start of the programme or whilst the programme is running:



A programme that has already been started continues to run until it has finished.


- Press short cut button to delete the message in the display, and refill the container.

If a **Disinfection programme** is running, the following message is displayed:



The programme will be cancelled.

- Press short cut button to delete the message in the display, and refill the container.
- Start the programme again.

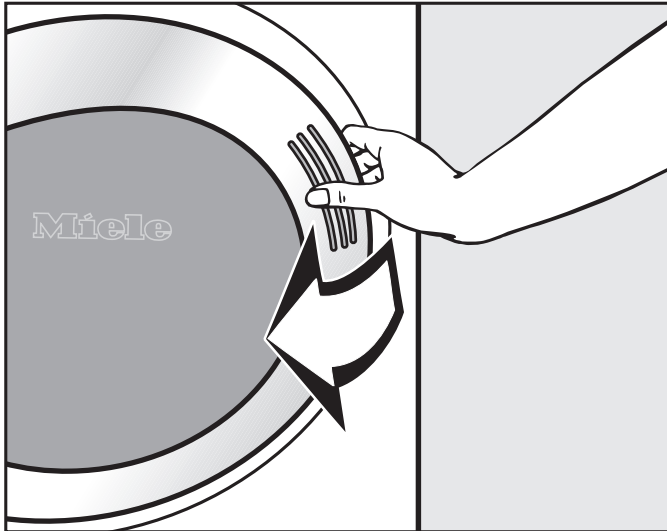
 If the container is empty for a disinfection programme, you have to assume that **no** disinfection has taken place. Start the programme again.

Short drying instructions

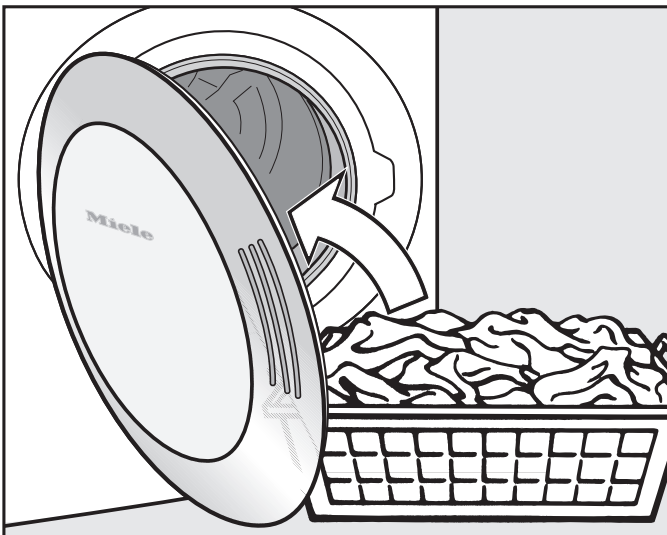
⚠ It is very important to read the "Notes and tips on laundry care" section before proceeding.

1 Sort the laundry

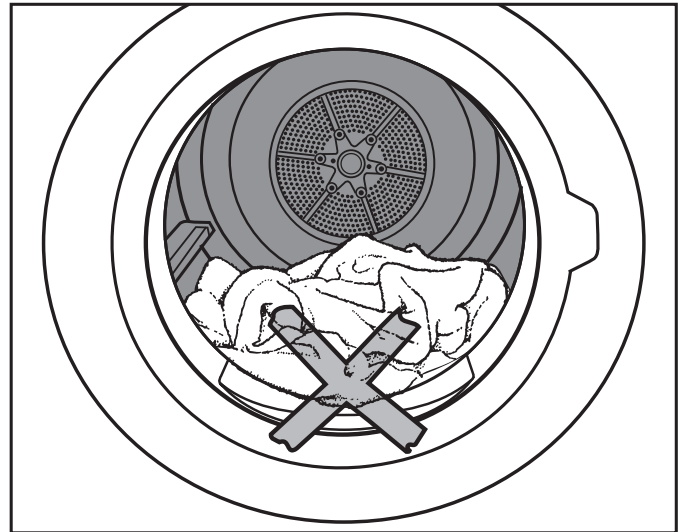
2 Load the tumble dryer



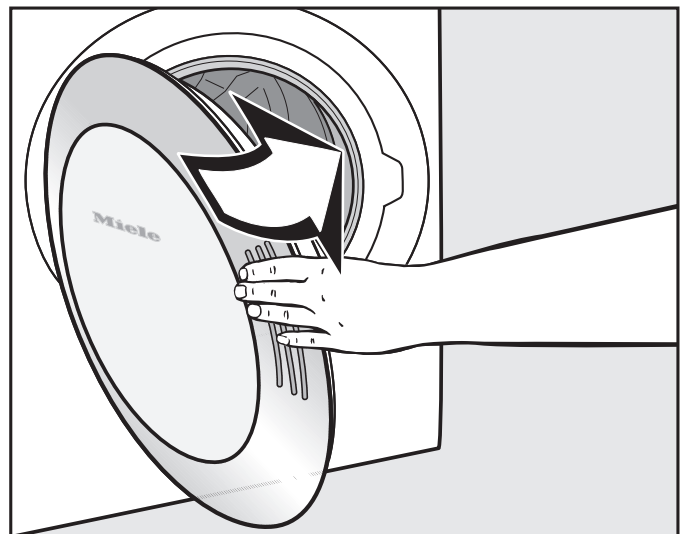
■ Open the door.



■ Load the drum.



⚠ To avoid damaging your laundry, when shutting the door check that no items of laundry have become trapped in the door opening.



■ Shut the door either with a gentle swing, or lean against it and push it shut.

Short drying instructions

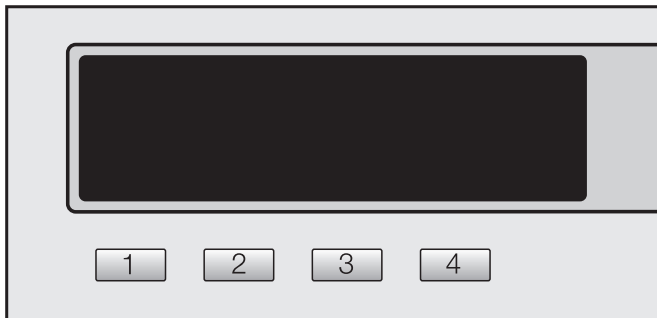
3 Select a programme

- Switch the dryer on by pressing the *On/Off* ① button in.

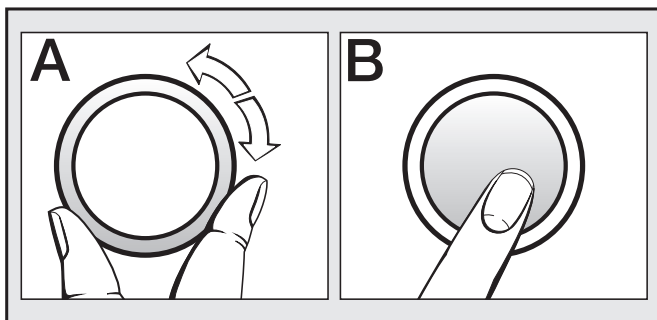
Programme chart

- See separate booklet "Commissioning, Programme chart and Settings".

You can select a programme either by:



1. Using the appropriate short cut button to select one of the four programmes listed in the display ("favourites"), or



2. Selecting a programme from the *Programme selection* menu (turn **A** and press **B**).

Select *Low temperature* or *Timer*, if required

- Select *Low temperature* and/or the *Timer* (Delay start time) from the relevant sub-menu.

Payment system

If your machine is connected to a payment system, the amount of credit required will appear in the display.

Credit may be lost if, after the programme has started, the door is opened or the programme cancelled (depending on how the tumble dryer was set up).

4 Start the programme

The *Start* button will flash as soon as a programme can be started.

- Press the *Start* button.

The *Start* button will now light up.

- *Programme running* will appear in the display, followed by *Drying* and the programme duration.
- With sensor drying programmes, e.g. *Machine iron ... Hand iron...* etc. will appear in the display later on.

Once drying is in progress, you can press one of the short cut buttons:

- Button **2** *Timer* to call up the estimated end time of the programme and the current time of day.
- Button **3** *Save* to save the current programme as a favourite.
- Button **4** *Cancel* cancels the current programme.

Short drying instructions

Programme duration/Estimated time remaining

When a programme is selected, the estimated duration will appear in the display. Please be aware that it is only an estimate.

The following factors all affect the estimated time remaining: residual moisture content after spinning; type of fabric; size of load; room temperature; fluctuations in power supply.

The electronics continually assess conditions in the dryer and adjust the estimated time remaining for a more accurate reading. Because of this, the time displayed can alter during the course of a programme.

Before the end of a programme

In many programmes the heating phase is followed by the cooling down phase: *Cooling down* will appear in the display. The programme is not finished until the cooling down phase has been completed.

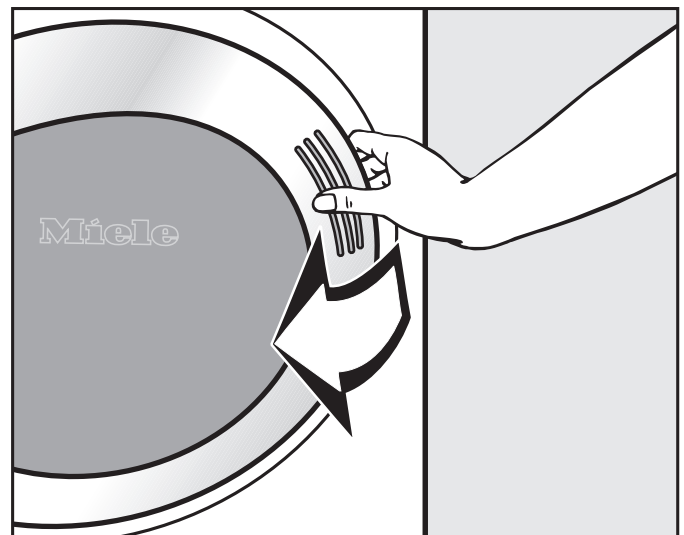
Do not switch the tumble dryer off before the drying programme has finished.

5 Remove the laundry when the programme has finished

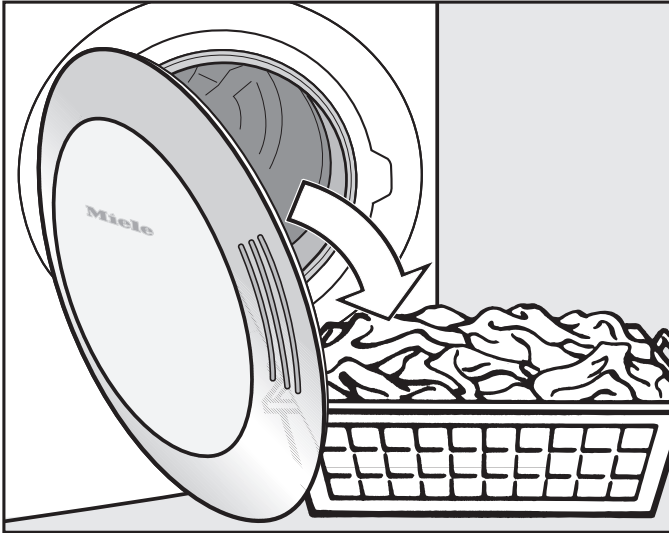
Anti-crease (if selected) and *Finish* will appear in the display to indicate that the programme has finished.

During the anti-crease phase the drum will continue to turn at intervals until the laundry is removed. This helps to prevent laundry creasing.

It is advisable to remove laundry as soon as the programme has finished.



- Open the door.



- Remove everything from the drum.

Check that all items have been removed from the drum. Anything left in the dryer could be damaged by overdrying when it is next used.

The drum lighting will come on when the door is opened. It will go out a few minutes later to save energy.

- Switch the dryer off by pressing the *On-Off* ① button.
- Close the door.

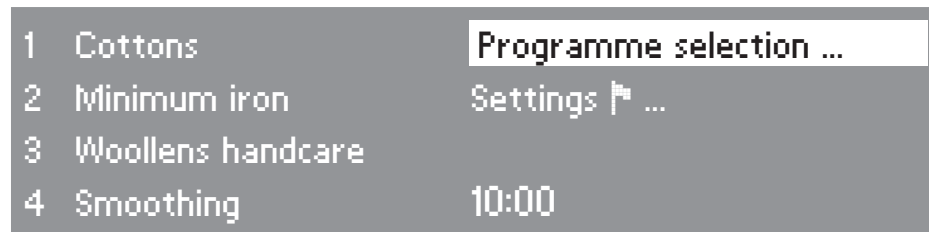
Maintenance after each drying programme

- Please see "Cleaning and care" for details.

Selecting a drying programme

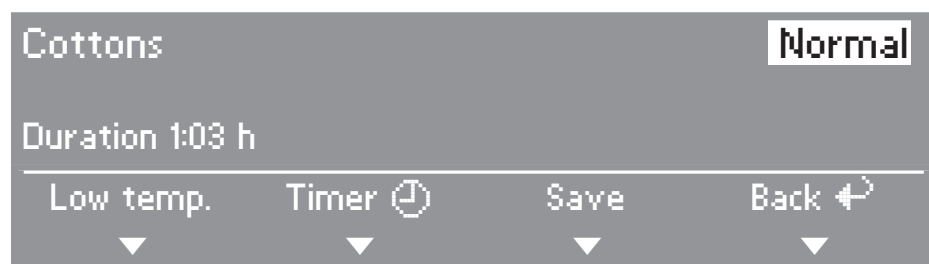
Selecting/changing a programme

Entry menu



- Press shortcut button .

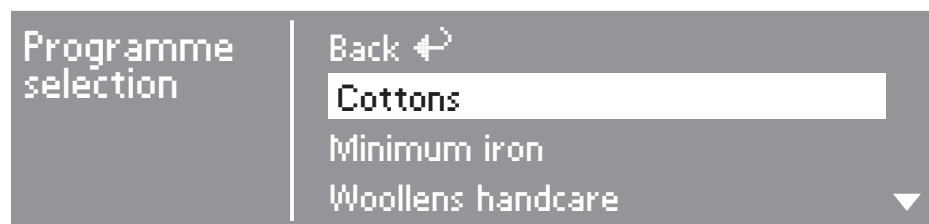
Main menu



- By turning the multi-function selector you can then highlight the following options in the display: Programme (*Cottons*) or the drying level (*Normal*), and confirm your selection by pressing the multi-function selector.

Depending on the option highlighted, the following will be displayed:

– Programme selection



- Use the multi-function selector to select the programme you want, and confirm your selection. The main menu will reappear.

Selecting a drying programme

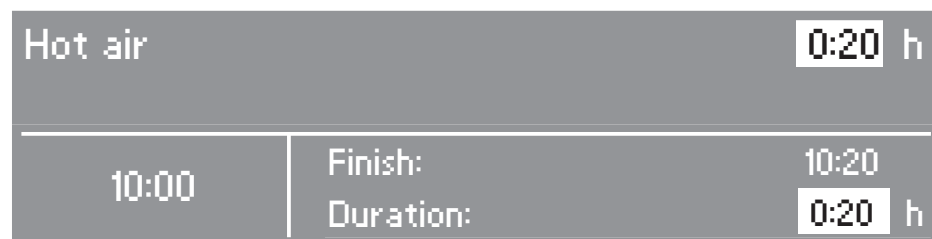
Note: If you do not make a selection in the sub-menu within approx. 20 seconds, the display will revert to the main menu.

– Programmes with drying levels (sensor drying)



- Use the multi-function selector to select the drying level you want, and confirm your selection.
- The display will show which drying levels can be selected for each individual programme.

– Programmes where the time can be altered



- You can increase or decrease the duration of the programme* using the multi-function selector.

The programme end time for the duration selected will also appear.


* If the tumble dryer has a payment system, the maximum duration for a programme is set during the commissioning process under the controls option *WS-shortcut keys, ex time/int time*.

– Other programmes

You cannot alter the drying level or duration for the other programmes.

Selecting a drying programme

Low temperature

Select *Low temperature* for all delicate or minimum iron fabrics with the  care label (e.g. acrylic garments).

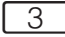
- Delicate fabrics are dried at a lower temperature.
- The programme duration is longer.

■ Press shortcut button  *Low temp.*

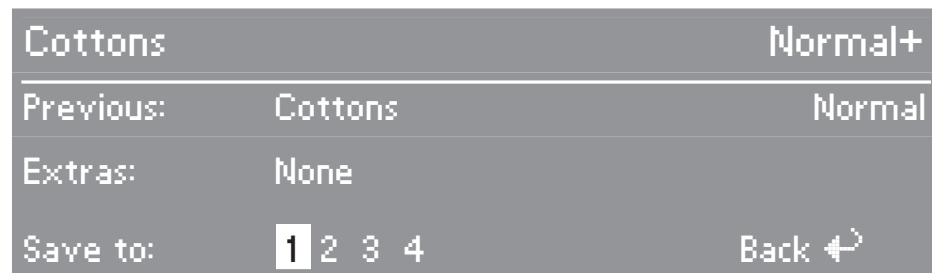
Saving a programme as a favourite

You can programme the short cut buttons to call up the four most frequently used drying programmes. The *Save* option must be activated via the *Settings/Supervisor level* menu before the shortcut buttons can be programmed.



■ Press shortcut button  *Save*.

Selecting a short cut button

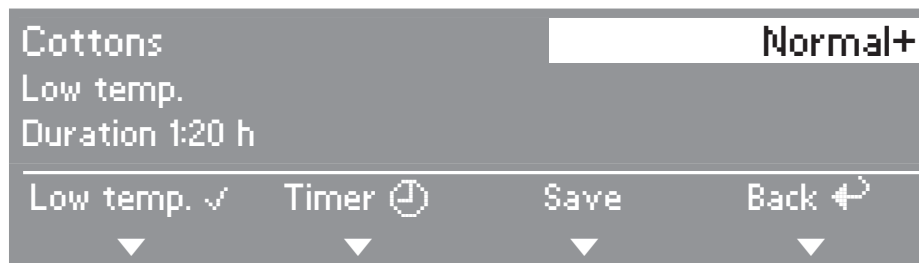


■ Use the multi-function selector to select the number you want to save the programme to, and confirm your selection. Your settings have now been saved and the favourite programme will appear in the entry menu.

Repeat the procedure if you want to customise other favourite programmes, and save them to shortcut buttons which have not yet been used.

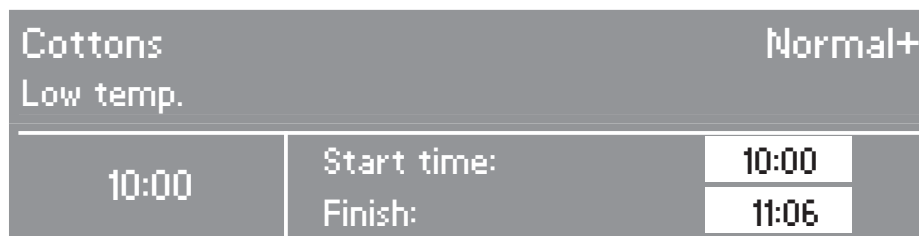
Depending on the *Delay start* setting, you can use the Timer to set the time you wish a programme to finish or start at, or you can delay the start of the programme.

To open the Timer sub-menu



- Use shortcut key **[2]** *Timer* to open the *Timer* sub-menu.

To select a delay start time



- Select the time required (in 30 minute steps) using the multi-function selector, and confirm.

The start and finish times will now be postponed by the time you have entered. The maximum time that an automatic programme start can be delayed by is 24 hours.

To start the timer

- Press the *Start* button.

The timer will count down in minutes until the start of the programme. If the delay start time selected is more than one hour, the drum will turn briefly every hour to prevent creasing.

To cancel the timer

- Press shortcut button **[4]** *Cancel*.
- The programme can now be started.

Changing the programme sequence

Payment system

Credit may be lost if, after the programme has started, the door is opened or the programme cancelled (depending on how the machine was set up*).

* Either during the commissioning process or subsequently, a Miele service technician can re-set the payment system so that programming changes can be made.

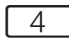
Changing a programme once it has started

You cannot change to another programme once a programme has started (this prevents unintentional alterations).

You will need to cancel the current programme before you can select a new one.


Cancelling the current programme

- Press shortcut button  *Cancel*.

On some programmes, laundry will be cooled down if a certain temperature has been reached. If shortcut button  *Cancel* is pressed again, *Finish* appears in the display.

- Open the door.
- Close the door.
- Immediately select the programme you want, and then start it.

Adding or removing laundry after a programme has started

 The laundry, the drum and the back of the appliance all become very hot during operation. Take care when opening the door and handling freshly dried laundry. Danger of burning.

- Press shortcut button  *Cancel*.

On some programmes, laundry will be cooled down if a certain temperature has been reached.

- Only open the door once the laundry has cooled down completely.
- Add or remove items as required.
- Close the door.
- Select a programme.
- Press the *Start* button.

Power cuts

- If the dryer is switched off during a drying programme or there has been a power cut:
 - When the machine is switched on again and/or the power is restored, confirm with *OK* and start the programme again.

Time remaining

The time left shown in the display may now vary from the actual drying time.

⚠ Disconnect both the washer-extractor and the tumble dryer from the mains electricity supply.

Cleaning the washer-extractor and tumble dryer stack

⚠ Do not use solvents, abrasive cleaners, glass cleaners or multi-purpose cleaning agents. These could damage plastic surfaces and other parts.

Housing and control panel

- Clean the housing, control panel, door and door seals with a slightly damp cloth and a mild detergent or soapy water.
- Clean the drum and other stainless steel parts with a suitable proprietary stainless steel cleaner following the manufacturer's instructions.
- After cleaning, dry with a soft cloth.

⚠ The appliance stack must never be hosed down.

Cleaning the washer-extractor

Cleaning the drum, suds container and drainage system

The drum, suds container and drainage system can be cleaned if necessary.

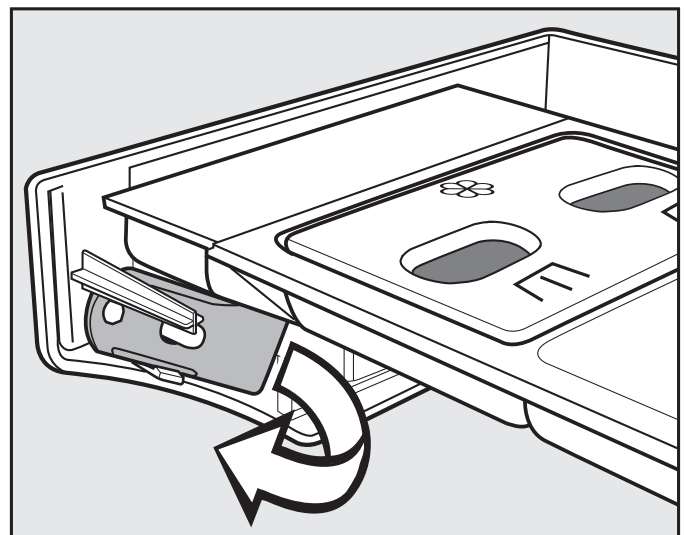
- Start the *Maintenance programme*.
- At the end of the programme check the inner drum and remove any coarse residues.

If you use disinfection programmes on a regular basis, the *Maintenance programme* should be carried out frequently.

Cleaning the detergent dispenser drawer

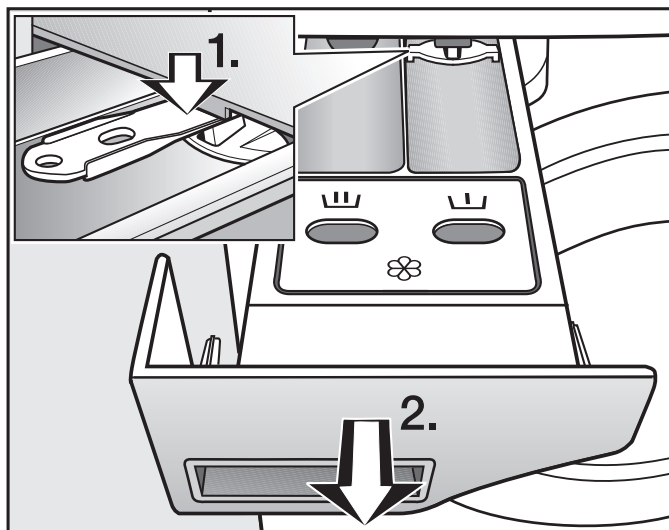
Remove detergent residues regularly.

There is a yellow lever behind the detergent drawer fascia panel.



- Remove the lever.

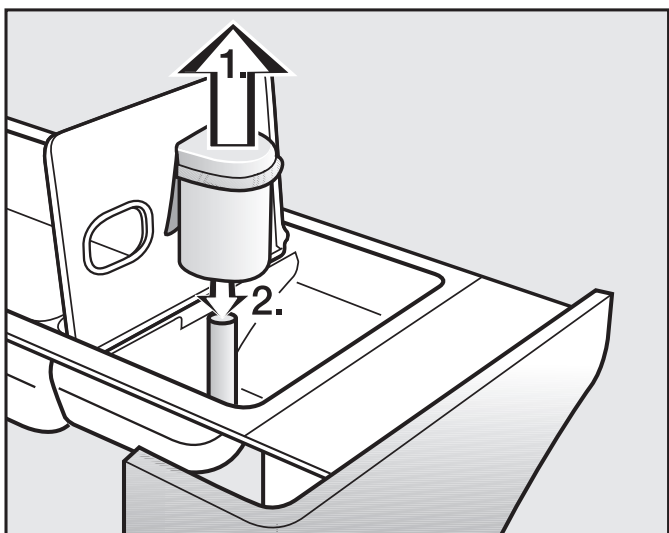
Cleaning and care




- Pull the detergent drawer out as far it will go.

1. Then press the safety catch down using the lever as illustrated.
2. Then pull the detergent drawer out.

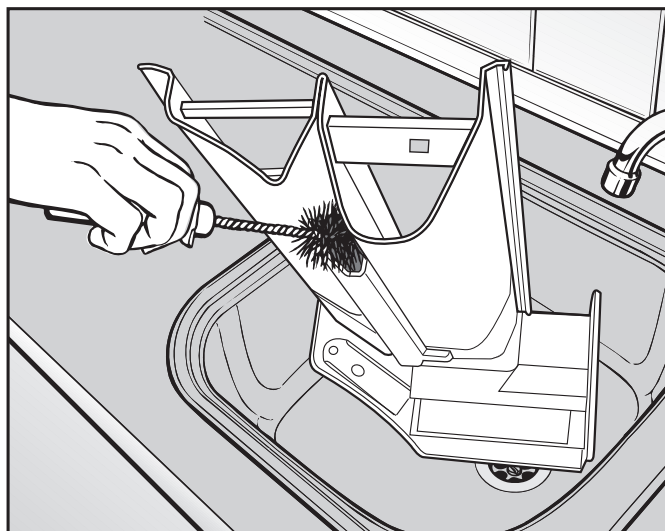
- Clean the drawer with warm water.



- Clean the siphon.

1. Remove the siphon from compartment  and rinse under warm running water. Clean the siphon tube in the same way.

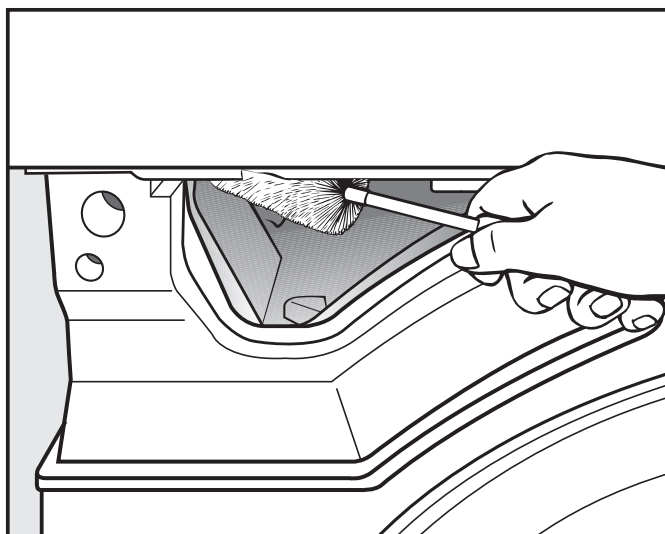
2. Replace the siphon.



- Clean the fabric conditioner channel using a brush and warm water.

If starching frequently, thoroughly clean the siphon, the siphon tube and the fabric conditioner channel regularly. A build-up of liquid starch will cause them to get clogged.

Cleaning the detergent dispenser drawer housing



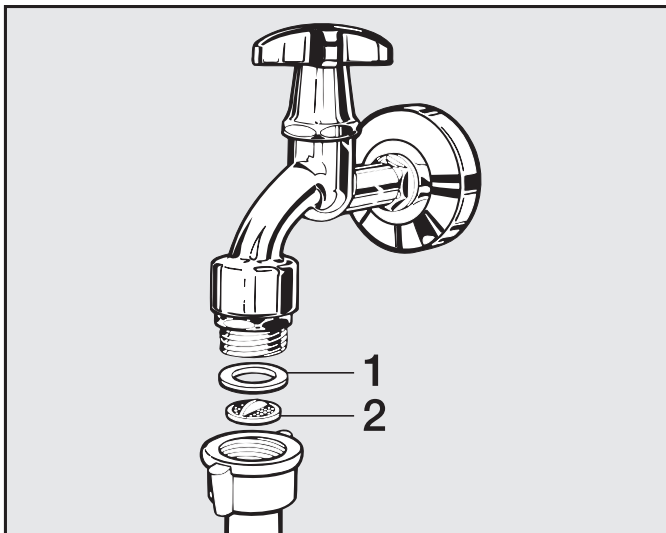
- Use a bottle brush to remove detergent residues and limescale from the jets inside the detergent dispenser drawer housing.

Cleaning the water inlet filters

The machine has two filters to protect the water inlet valve. These filters should be checked every six months or so, or more often if there are frequent interruptions to the external water supply.

To clean the filter in the inlet hose:

- First turn off the stopcock.
- Unscrew the threaded union connecting the free end of the inlet hose to the stopcock.

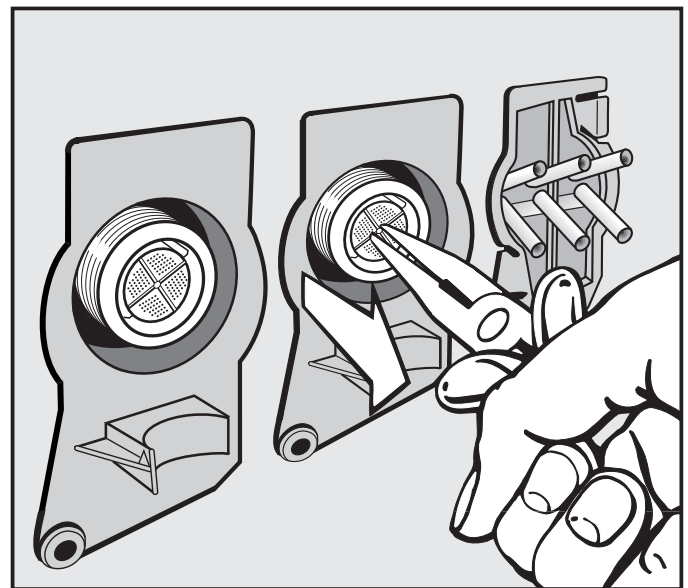


- Remove the rubber seal **1** from the recess.
- Using pointed pliers, take hold of the plastic filter bar **2** and remove.
- Clean the plastic filter.
- Put the filter and seal back in the reverse order and reconnect the hose.

Turn on the stopcock and check the connection is watertight. If water drips out, tighten the connection.

To clean the filter in the water inlet valve:

- Using pliers, carefully loosen the ribbed plastic nut on the inlet valve and unscrew.



- Use pointed nose pliers to withdraw the plastic filter by the bar (see illustration). Clean, put back and secure.

The two filters **must** be replaced after cleaning.

Cleaning and care

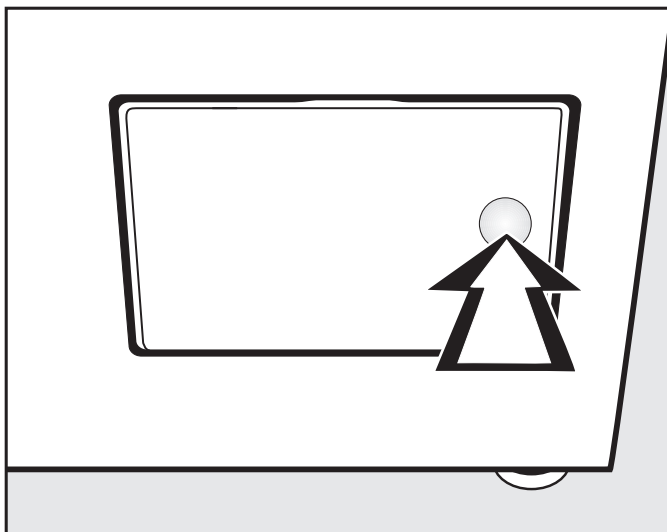
Cleaning the fluff filter

Fluff from items being dried is collected by a two-part cartridge fluff filter in the ducting. This needs to be removed and taken apart for cleaning.

⚠ The fluff filter should be checked and cleaned regularly, but always clean immediately if the *Clean out airways* message comes up in the display.

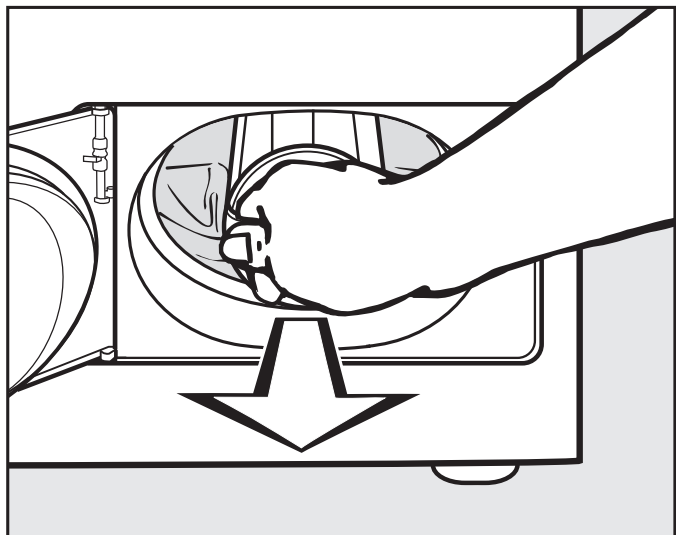
Note: You can use a vacuum cleaner to remove the fluff.

Removing the filter



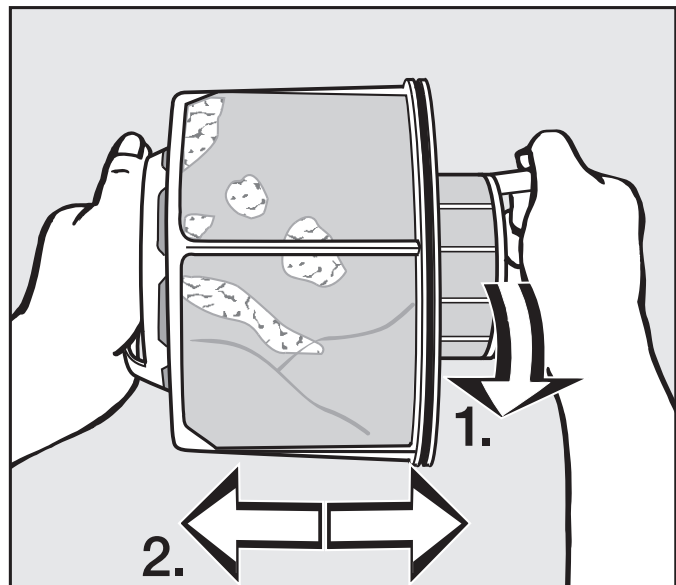
- Press on the right hand side of the access panel to the fluff filter housing to open it.

Do not turn the handle on the fluff filter, as this will cause the fluff filter to come apart (see below).



- Pull the filter out by the handle.

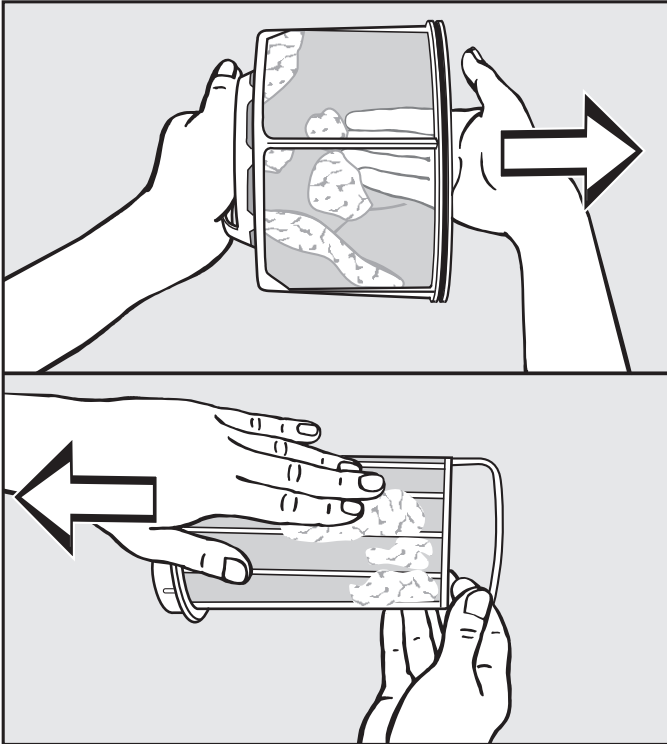
Taking the filter apart



- Hold the fluff filter firmly by the handles on either side, as shown.
- 1. Twist the inner section of the fluff filter as shown.
- 2. Pull the two sections of the fluff filter apart.

Cleaning the filter whilst dry

The fluff filter can be hygienically and easily cleaned using a vacuum cleaner.



- Remove the fluff with your fingers, or use a vacuum cleaner.

Cleaning the fluff filter with water

If there is a great deal of compacted fluff on either part of the filter, they can be cleaned under hot running water.

⚠ Dry the two sections thoroughly before reassembling them. A damp or wet filter could cause operational faults when the dryer is switched on.

Replacing the filter

⚠ If there is a heavy build-up of fluff in the ducting, the ducting should also be cleaned before the clean filter is replaced. See the next page for further details.

- Reassemble the inner and outer sections of the filter.
- Slowly turn the inner section of the filter clockwise until it you hear it click.
- Hold the filter by the handle, and push it into the ducting until it clicks into place.

Do not turn the handle whilst you are pushing it back into the ducting, or the filter will come apart.

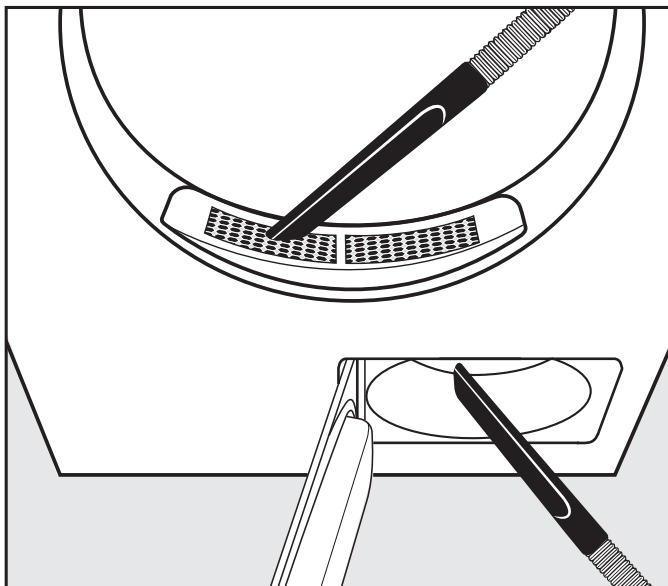
- Close the access panel to the filter housing.

Cleaning and care

Cleaning the filter housing

The filter housing should be checked from time to time, and cleaned when there is a build-up of fluff there.

Quick cleaning



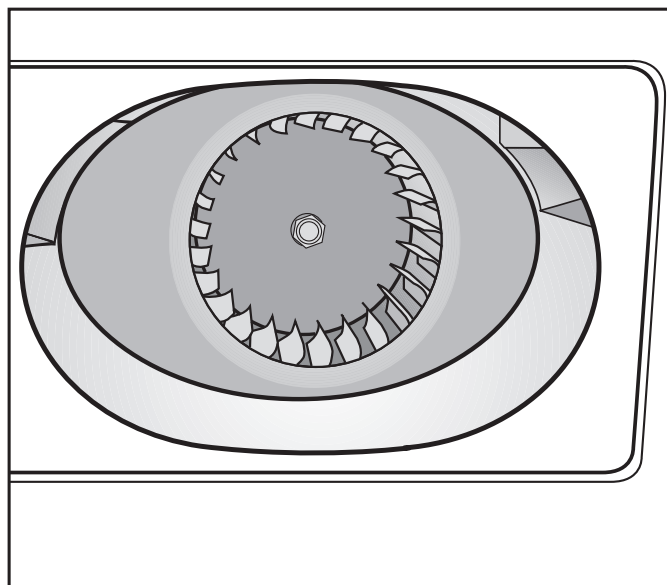
- Use a vacuum cleaner to remove the fluff
 - from the cover in the door opening (above), and
 - from the ducting area in front of the impeller (below) if the fluff filter has been removed for cleaning.

Extra cleaning

– Fan


The fan behind the filter access panel can become clogged with detergent residues and fluff.

Check the fan from time to time, and clean it if it becomes clogged.

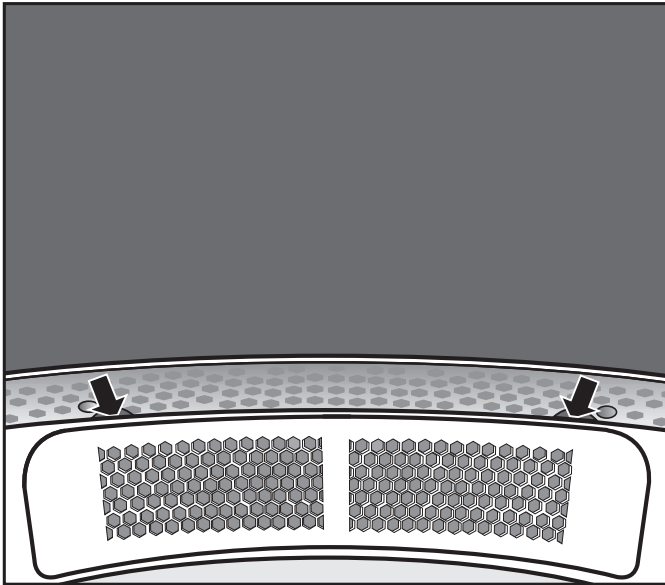


- Using a damp cloth, carefully clean residues from the fan
- At the same time, clean the area in front of the fan.
- Clean away fluff using the vacuum cleaner.
- Remove any fluff from the inside of the open access panel and the rubber seal, taking care not to damage the seal.

– The cover in the door opening

 The cover in the door opening should only be removed if they become severely clogged.

- Look inside the drum.



- Feel under the edge of the cover at the back* (see arrows) and pull the cover up and out.

* You can use the two screws supplied to stop the cover being removed inadvertently. See instructions below.

- Clean the filter area underneath the cover using a vacuum cleaner.
- Clean the cover.
- Open the access panel to the filter housing, and clean the area in front of the fan.

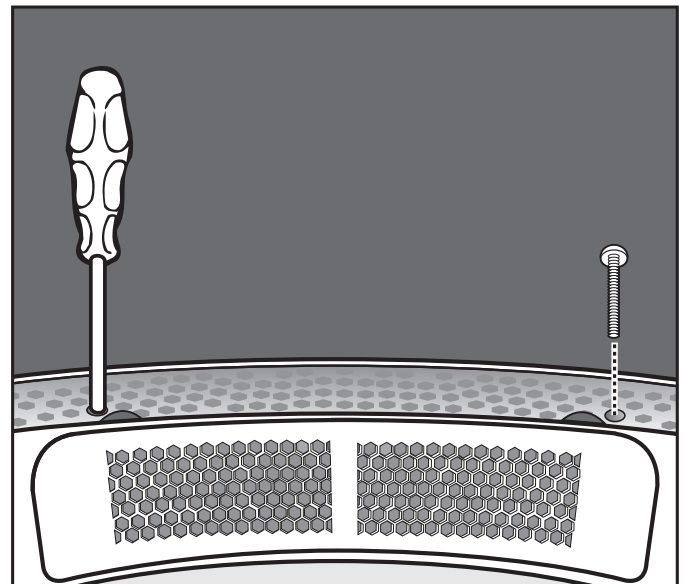
Replacing the cover

- Fit the cover to the left or right hand side of the door opening,
- then press the cover down until it clicks into place on both side.

Securing the cover

The cover can be secured using the two screws supplied to prevent it being removed inadvertently. The screws must be secured inside the drum.


- Look inside the drum.




- Screw the torx screws into the round holes on the left and right underneath the cover, as shown.






Problem solving guide

With the help of the following notes, minor faults in the performance of the appliance, some of which may result from incorrect operation, can be put right without contacting the Service Department.

 Repair work to electrical appliances should only be carried out by a suitably qualified person in strict accordance with current local and national safety regulations. Repairs and other work by unqualified persons could be dangerous. The manufacturer cannot be held liable for unauthorised work.





Problem	Possible cause	Remedy
The display remains dark.	There is no power to the appliance stack.	Check whether <ul style="list-style-type: none"> – the electricity supply to the appliance stack is switched on. – the fuse or circuit breaker has tripped.
The programme does not start when <i>Spin</i> has been selected.	The washer-extractor has not been prepared for using for the first time.	Run the <i>Cottons Universal 60°C</i> programme as described in "Commissioning the machine" section of the separate booklet "Washer-extractor Commissioning, Programme chart and Settings" supplied.
The display is dark and the <i>Start</i> button is flashing slowly.	The display has switched off automatically to save energy (Standby mode).	Press one of the shortcut buttons. Standby comes to an end.
The display is in a different language.	A different language has been selected.	Set the language you want. The flag symbol  will guide you.
The appliance stack shakes during the spin cycle.	The feet are not level.	Level the appliance stack (see "Installation and connection").

Problem solving guide



Message in the display	Possible cause	Remedy ①
 <p>Water intake fault Open the stopcock and check the inlet hose.</p>	The water inlet is blocked or restricted.	Check whether <ul style="list-style-type: none"> – the stopcock is opened properly. – the inlet hose is kinked.
	The water pressure is too low.	<ul style="list-style-type: none"> – Select <i>Low water pressure</i> in the <i>Settings/Supervisor level</i> menu.
 <p>Technical fault If restart is unsuccessful, call Service.</p>	There is a fault.	Start the programme again. If the fault message appears again, contact the Service Department.
 <p>Fault Disinfection temperature not reached</p>	During the disinfection programme the water temperature was not reached.	The washer-extractor has not carried out the disinfection cycle correctly. Start the programme again.
 <p>Drain fault Clean the drainage system</p>	The water outlet is blocked or restricted.	LP version: Clean the drainage system. AV version: Call the Service Department.
 <p>Fill the container or Fault Container empty</p>	One of the external detergent containers is empty.	See "Detergent - Empty sensor".

① To switch off the fault message, press the multi-function selector.

Problem solving guide

Problem	Possible cause	Remedy
 <p>Adjust the load The drum is empty or the laundry is too dry.</p>	<p>This is not a fault. In some programmes, if the drum has been overloaded or underloaded, the programme will be cancelled. This can also happen if the items are already dry.</p>	<p>Use the Hot air programme (timed drying) to dry individual items. To delete the message: – Open the door.</p>
 <p>Technical fault If restart is unsuccessful, call Service. A fault number (e.g. F43) might also be displayed.</p>	<p>A programme cannot be started while there is a fault message in the display.</p>	<p>– Make a note of what is shown in the display. – Try to start the programme again.</p>
 <p>Power failure Programme stopped Press OK button</p>	<p>If the dryer is switched off during a drying programme or there has been a power cut:</p>	<p>– When the dryer is switched on again and/or the power is restored, confirm with <i>OK</i> and start the programme again.</p>
 <p>Clean out airways Clean the fluff filter. Check ducting appears after a while.*</p>	<p>Reminder to clean the filter.</p>	<p>– Clean the fluff filter. To delete the message: – Confirm with <i>OK</i>.</p>
<p>* You can adjust the setting which controls if or when the check message appears: See "Clean the filter" and "Cleaning out airways" in the "Settings/Supervisor level menu" in the separate booklet "Tumble dryer Commissioning, Programme chart and Settings" supplied.</p>		

Problem solving guide

Problem	Possible cause	Remedy
 Clean out airways Clean the fluff filters Check ducting appears at the end of a programme.*	There is a blockage in the ducting system.	<ul style="list-style-type: none"> – Clean the fluff filter. – Check all possible causes given under "The drying process goes on too long or even switches off." To delete the message: <ul style="list-style-type: none"> – Open and close the door.
	The vent ducting may be very long, which does not constitute a fault.	<ul style="list-style-type: none"> – If very long ducting is used, then programme times will be longer and energy consumption higher.
 Clean out airways Clean the fluff filters Check ducting F66 appears after a programme has been cancelled.	There is a very severe blockage in the ducting system.	<ul style="list-style-type: none"> – See above. To delete the fault message: <ul style="list-style-type: none"> – Confirm with <i>OK</i>.
To continue a programme after a power cut	Power cut.	<ul style="list-style-type: none"> – Confirm the message shown in the display by pressing shortcut button 1 and then press the <i>Start</i> button. The programme will then continue with the next programme stage.
	The washer-extractor was switched off and then back on again with the <i>On/Off</i> button.	

Problem solving guide

Problem	Possible cause	Remedy
The pump makes strange noises.	This is not a fault. These noises occur at the end of a pump sequence as a normal part of the operation.	
Large amounts of detergent residue remain in the detergent dispenser drawer.	The water pressure is too low.	<ul style="list-style-type: none"> – Clean the filters in the water inlet. – It may be useful to select the <i>Water plus</i> extra option.
	Powder detergent used in conjunction with water softeners tends to become sticky.	In future, add washing powder into the dispenser drawer first, and then add the water softener.
Fabric conditioner is not completely dispensed or too much water remains in the compartment. ☼	The siphon tube is not correctly positioned or is clogged up.	Clean the siphon (see "Cleaning and care - Cleaning the detergent dispenser drawer").
Liquid detergent does not give the required result.	Liquid detergents usually contain no bleaching agents. They do not remove fruit, coffee and tea stains.	<ul style="list-style-type: none"> – Use a general purpose detergent containing a bleaching agent. – Pour stain removers into compartment III of the dispenser drawer and liquid detergent into a dispenser ball. – Never put stain removers and liquid detergent together in the dispenser drawer.
Grey, greasy particles cling to washed laundry.	Insufficient amounts of detergent were used to break down the particles of grease in heavily soiled laundry.	<ul style="list-style-type: none"> – Use more detergent. – Before washing the next load run a Cottons 90°C programme with powder detergent but without a load.

Problem solving guide

Problem	Possible cause	Remedy
White residues which look like powder detergent are seen on dark textiles after washing.	The detergent contained compounds (zeolites) to aid water softening which are not soluble in water. They have ended up on the laundry.	<ul style="list-style-type: none"> – Try and brush off the residues with a soft brush once the laundry is dry. – Wash dark textiles using a detergent which contains no zeolites. Liquid detergents usually contain no zeolites.
Textiles have particularly greasy soiling.	<ul style="list-style-type: none"> – Select a programme with pre-wash. Use liquid detergent for the pre-wash. – In the main wash use ordinary powder detergent. <p>The use of heavy-duty detergent is recommended in the main wash for very heavily soiled work clothing. Consult detergent producers for advice.</p>	
The door will not open	The door is locked after a programme has been cancelled.	<ul style="list-style-type: none"> – For safety reasons the drum door cannot be opened if the suds temperature is higher than 50°C. Wait until the washer-extractor has cooled down.
	The door will not open at the end of a wash programme.	<ul style="list-style-type: none"> – Press against the door handle, switch the washer-extractor off and then back on again. Then pull on the door handle again.
	There is still water in the drum and the washer-extractor is unable to drain.	<ul style="list-style-type: none"> – The drainage system may be blocked. Clean the drainage system as described in the next section.
	The door handle safety device has disengaged.	<ul style="list-style-type: none"> – The door handle has a safety device to prevent damage to the lock. Press firmly against the door handle until you clearly hear the safety device engage.

Problem solving guide

Problem	Possible cause	Remedy
<p>The laundry is not sufficiently dry.</p>	<p>The load consisted of different fabrics.</p>	<ul style="list-style-type: none"> – Finish drying using the <i>Hot air</i> programme (timed drying). – Next time, select a more suitable programme (see "Programme chart" in the separate booklet "Tumble dryer Commissioning, Programme chart and Settings" supplied).
<p>Feather filled pillows smell after drying.</p>	<p>Feathers are a natural product and this is quite normal.</p>	<p>The smell will dissipate after sufficient airing.</p>
<p>Items made of synthetic fibres are charged with static electricity after drying.</p>	<p>Synthetic fibres tend to attract static charge.</p>	<p>Static charge can be reduced by adding a fabric conditioner to the final rinse in the washing programme or a fabric conditioner sheet to the load when drying.</p>
<p>There is a build-up of fluff.</p>	<p>Fluff is principally the result of friction when garments are being worn and to some extent when they are being washed. Machine drying hardly causes any fluff to form and has no appreciable effect on the lifetime of the fabric.</p>	<p>Fluff is collected by the fluff filter and can be easily removed (see "Cleaning and care").</p>
<p>There is a build-up of condensed water in the drum.</p>	<p>There is more than one tumble dryer vented together.</p>	<ul style="list-style-type: none"> – The dryer must only be connected to a joint ducting system if a non-return flap is in place. – Check the non-return flap regularly for damage, and replace it if necessary.

Problem solving guide

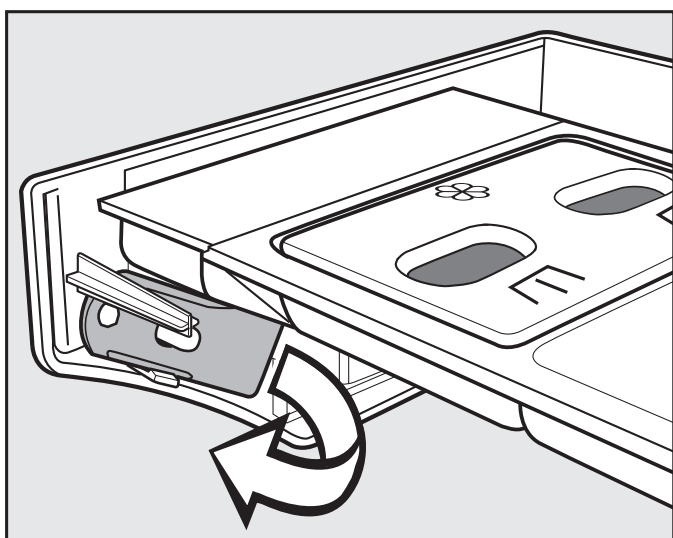
Problem	Possible cause	Remedy
The drying process goes on too long or even switches off.	You might be asked to clean the ducting system again.	Please check all possible causes described below.
	The fluff filter is blocked.	– Remove any fluff.
	The filter housing is blocked with e.g. fluff and hair.	– Clean the filter housing. – The cover in the door opening can be removed to facilitate the cleaning of the filter housing below.
	The vent ducting or the ventilation outlet is blocked with e.g. fluff or hair.	– Check all parts of the vent ducting system on a regular basis (e.g. wall pipe, external grille, bends in the ducting etc.) and clean them if necessary.
	Ventilation to the dryer is insufficient (e.g. because it is installed in a room which is too small).	Open a door or window while the dryer is in operation for increased air flow.
	The laundry has not been spun sufficiently.	Make sure that your laundry is thoroughly spun at the appropriate spin speed in the washer-extractor.
	The tumble dryer has been overloaded.	Do not exceed the maximum load for the programme selected.
	Metallic components, e.g. zips, have prevented the dryer from registering the correct moisture level in the laundry.	– Open zips next time. If the problem occurs again, dry garments with long zips using the Hot air programme (timed drying).

Problem solving guide

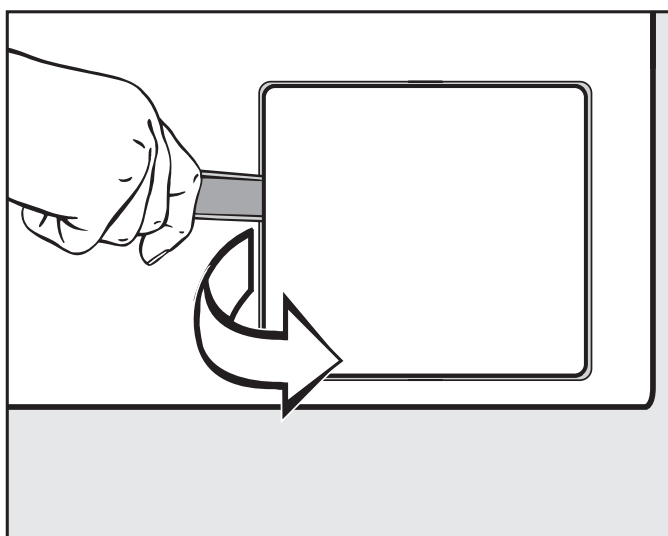
Opening the drum door in the event of a blocked drain outlet and/or power failure

⚠ Disconnect the washer-extractor and tumble dryer stack from the mains electricity supply.

There is a lever behind the detergent drawer fascia panel which opens the access flap to the drain system.



- Remove the lever.



- Use it to open the access flap.

Drain the washer-extractor

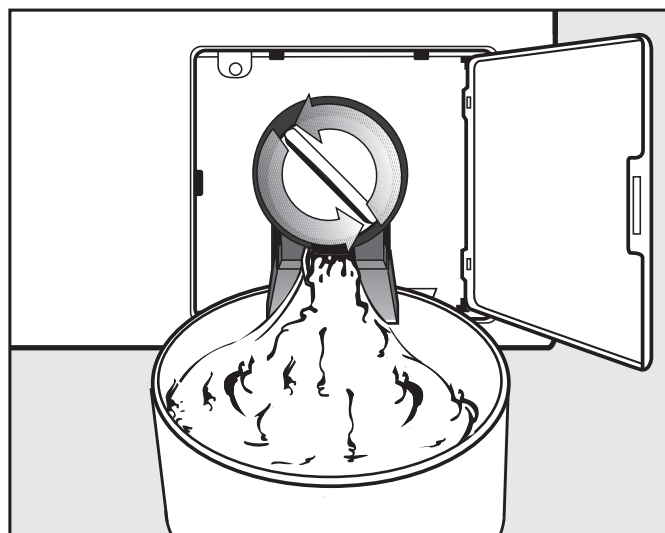
If the drain outlet is clogged, a large amount of water will be retained in the washer-extractor (**up to 35 litres**).

⚠ Caution: if laundry has been washed at a high temperature, water draining out of the machine will still be hot. Danger of scalding.

... Washer-extractors with a drain filter

- Place a suitable container under the access flap.

When draining water from the washer-extractor, do **not** unscrew the drain filter completely or take it right out.

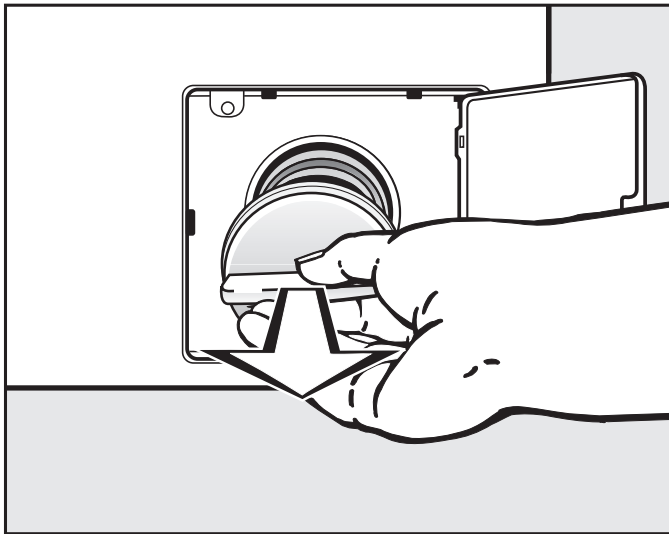


- Unscrew the drain filter lid until water runs out.

To stop the flow of water:

- Tighten the drain filter back up again.

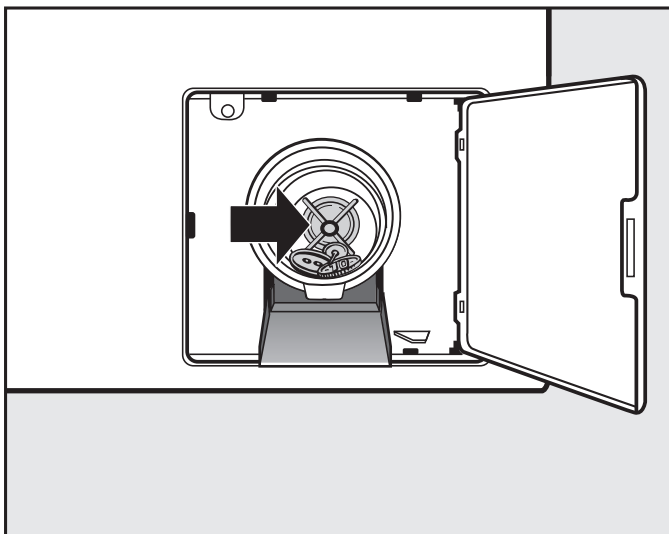
Once the flow of water ceases:



- Remove the drain filter completely.

Cleaning the drainage system

- Clean the drain filter thoroughly.

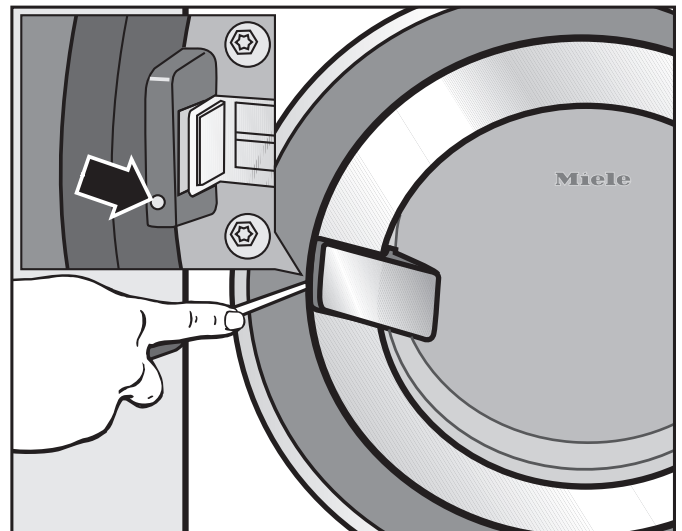


- Remove any foreign objects (e.g. buttons, coins, etc.) and fluff from the filter housing. Turn the impeller by hand to check that it rotates freely.
- Put the drain filter back in place and secure it.

⚠ Make sure the drain filter is securely tightened. Otherwise there is a risk of water leakage during use.

Opening the drum door

⚠ Always make sure that the drum is stationary before reaching in to remove laundry. Reaching into a moving drum is extremely dangerous.




- Insert a suitable screwdriver (approx. 4 mm blade) into the opening next to the door lock and use it to release the catch. Turning it slightly in a clockwise direction should release the door.
- Open the door with the handle.

⚠ Do not use force to open it.

Problem solving guide

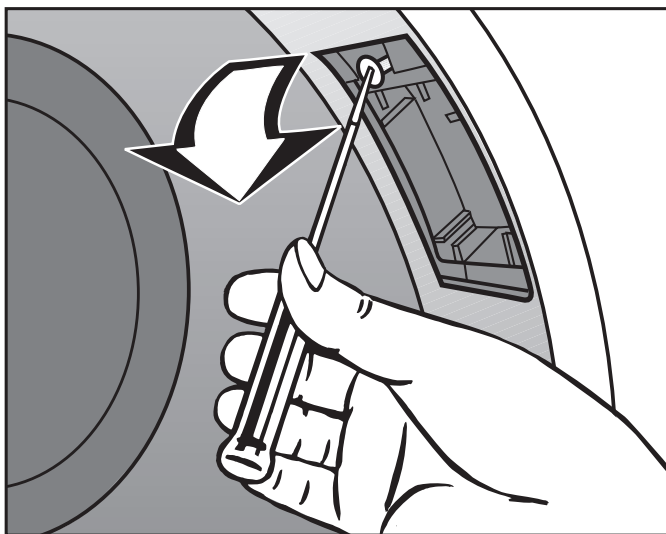
Changing the lamp

Disconnect the washer-extractor and tumble dryer from the electricity supply.

 Ensure that it is fitted into position securely, as any moisture could cause a short circuit.


- 1 Open the door of the dryer.

The lighting is at the top of the door opening on the right-hand side.



- 2 Remove the screw.
- 3 Lower the cover.
- 4 Replace the lamp.

The temperature resistant lamp should only be ordered from your Miele dealer or the Miele Spare Parts Department.

 The lamp specification and maximum wattage is stated on the data plate and on the lamp cover.

- 5 Raise the cover again.
- 6 Replace the screw.

Peak load cut-out

If the peak-load cut out function is activated the heating will switch itself off and any programme running will be stopped. The following message will appear in the display:

Washer-extractor display:

Cottons Hygiene	60°C	1300 rpm
Main wash		0:43 h
Peak load		

Tumble dryer display:

Cottons		Normal
Drying		0:43 h
Peak load		

Once the peak load has finished the programme will continue automatically as before.

Service interval

If after switching the machine the following message appears in the display the machine will need to be serviced by the Miele Service Department.

Washer-extractor display; Tumble dryer display:



Press short cut button 1 or wait approx. 5 seconds to return to the main menu.

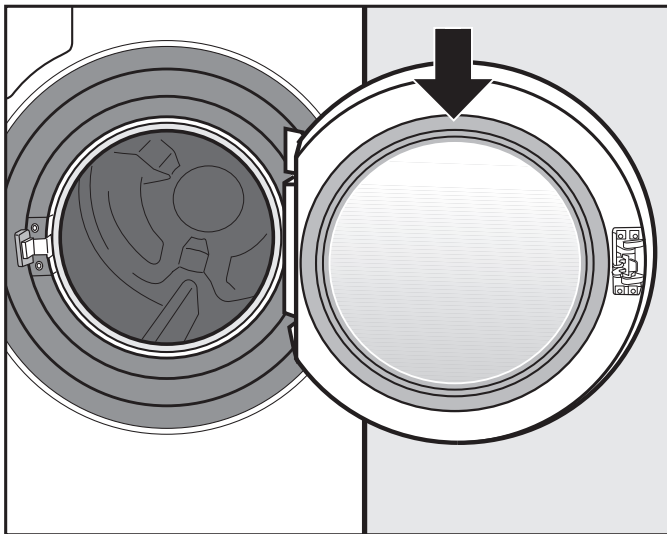
After sales service

Repairs

In the event of any faults which you cannot remedy yourself, or if the washer-extractor and tumble dryer stack is under guarantee, please contact:

- your Miele dealer, or
- the Miele Service Department (see back cover for contact details).

When contacting your Dealer or the Service Department, please quote the model number and serial number of both the washer-extractor and tumble dryer in the stack.



This information is given on the data plate which is visible above each door aperture with the door open. It is also quoted on the identification label at the rear of the tumble dryer.

N.B. A call-out charge will be applied for service visits where the problem could have been resolved by following instructions given in this manual.

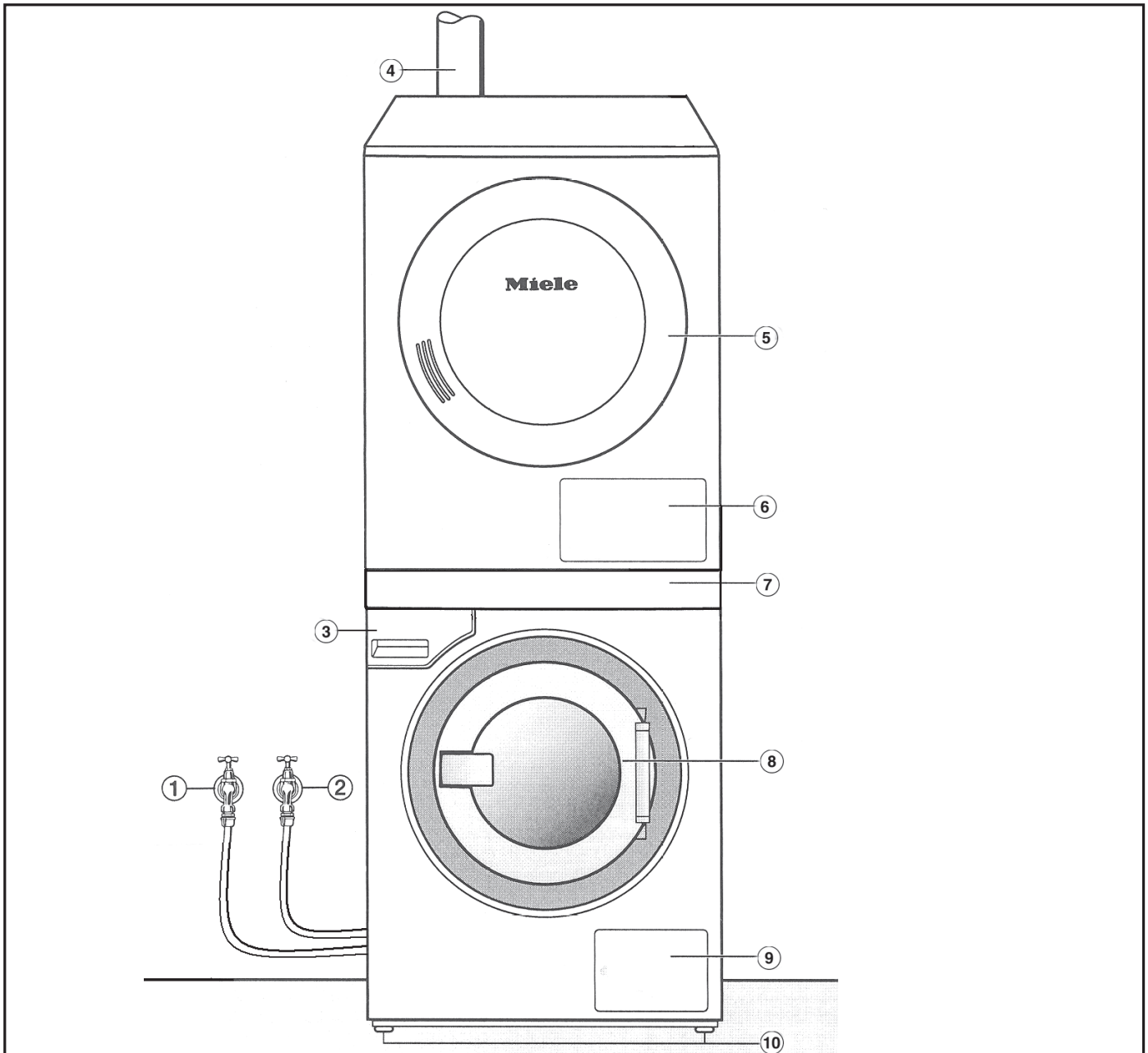
Optical interface PC

The indicator or check light marked **PC** on the fascia panel is the interface used by Miele service technicians during servicing work for testing purposes and for updating the appliance's programme data.

Optional accessories

Optional accessories for this washer-extractor and tumble dryer stack are available from your Miele Dealer or from the Miele Spare Parts Department.

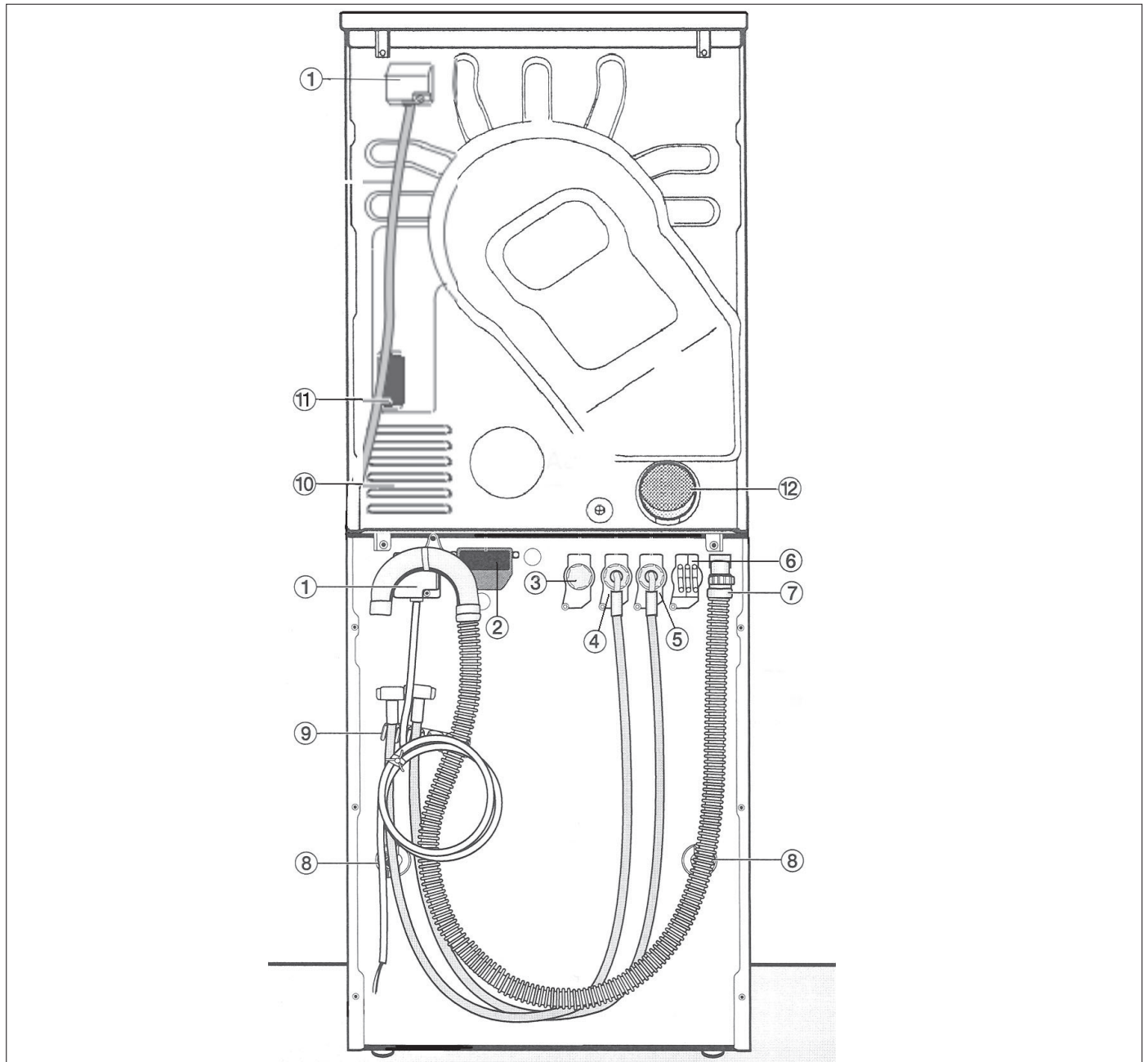
Front view



- ① Inlet hose (cold water)
- ② Inlet hose (hot water)
- ③ Detergent dispenser drawer
- ④ Vent ducting
- ⑤ Door
- ⑥ Filter access panel
- ⑦ Control panel
- ⑧ Door with handle
- ⑨ Access panel to fluff filter and drain pump
- ⑩ Height adjustable feet

Installation and connection

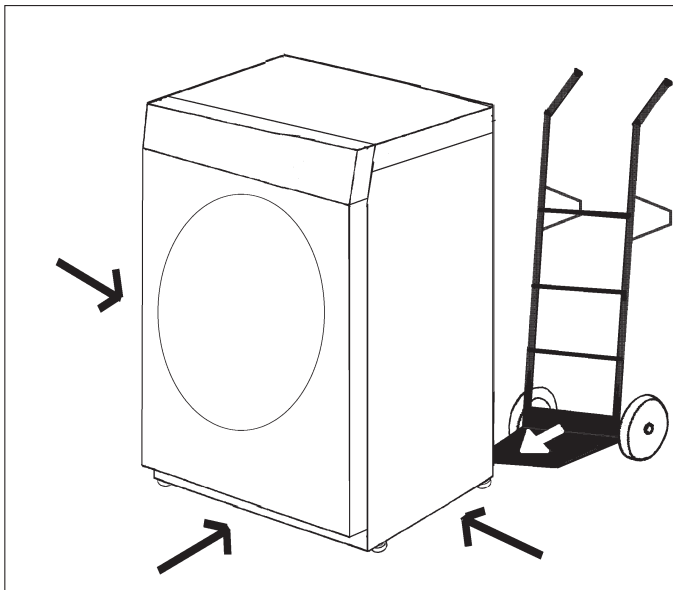
Rear view



- ① Mains connection cable
- ② Slot for communication module (washer-extractor)
- ③ Valve for grey water
- ④ Inlet hose (hot water)
- ⑤ Inlet hose (cold water)
- ⑥ Adapter for external dispensing system
- ⑦ Drain hose
- ⑧ Transit bars
- ⑨ Restraining clip for inlet hoses and drain hose
- ⑩ Air inlet vents
- ⑪ Slot for communication module (tumble dryer)
- ⑫ Exhaust socket Ø 100 mm

Installing the washer-extractor and tumble dryer stack

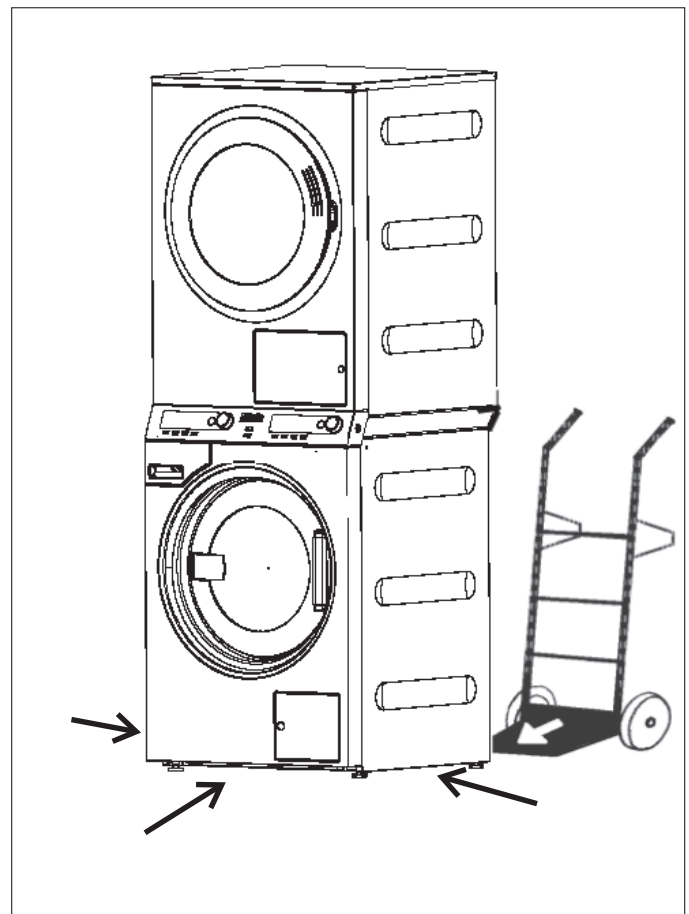
All installation work must be carried out by a suitably qualified technician in strict accordance with local and national safety regulations.



- Transport the washer-extractor and tumble dryer separately to their installation site.

⚠ Ensure that each appliance is stable during transportation.

⚠ **Do not** lift it by the drum door.



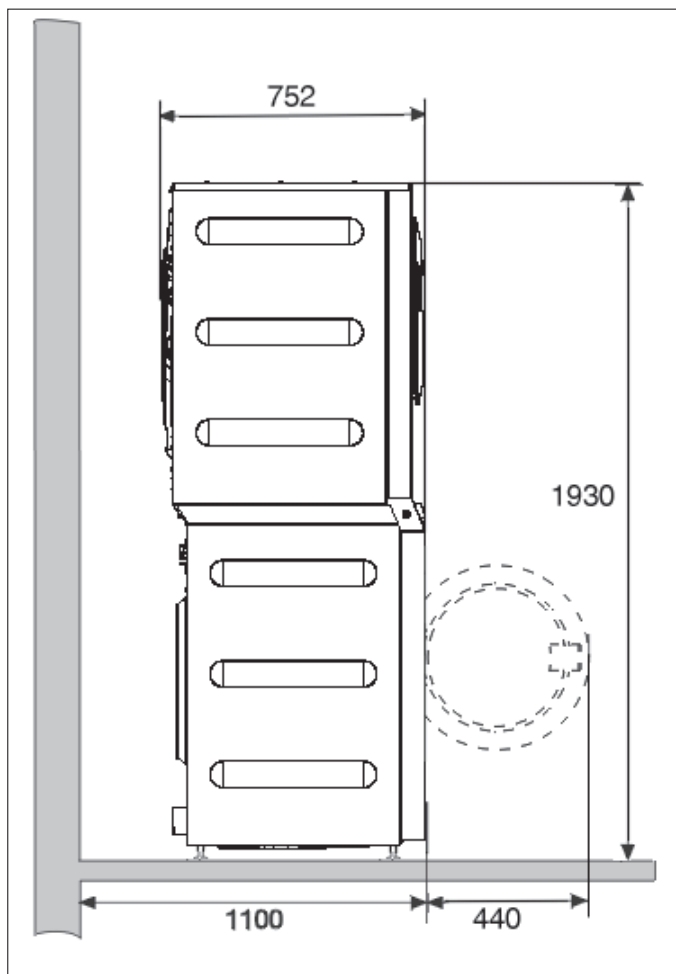
It is also possible to transport the stack as a complete unit to its installation site.

Please note that the stack weighs 209 kg!

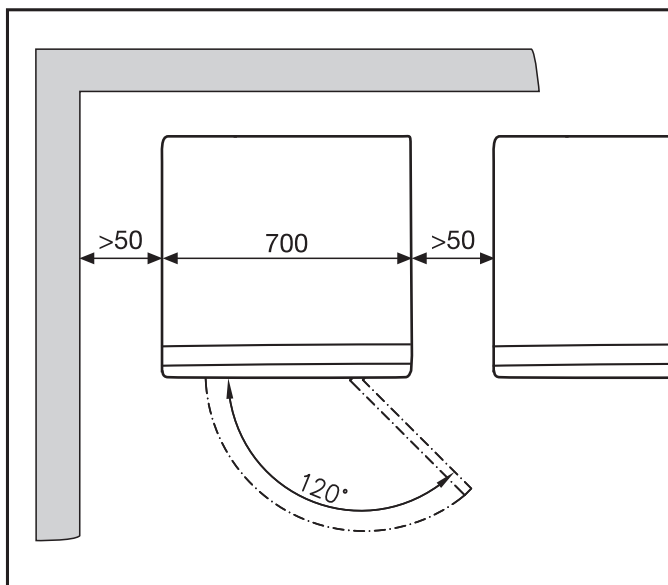
⚠ Ensure that the stack is stable during transportation. Because of its height and high centre of gravity there is a risk of it tipping.


Installation and connection

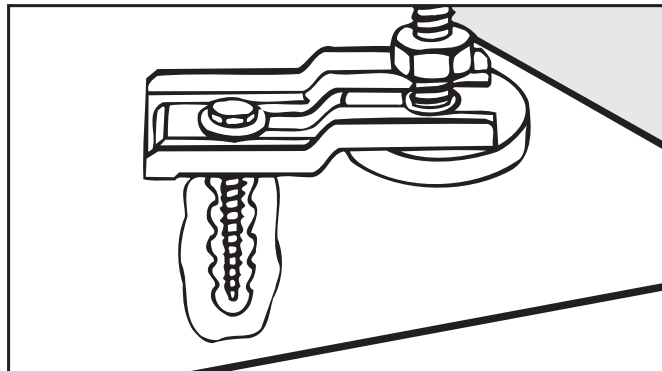
View from the side



View from above



 The appliance stack **must** be secured using clamps.



- Secure all four feet on the appliance stack with the clamps supplied.

Follow the fitting instructions supplied.

Payment system

This appliance stack can be fitted with a payment system.*

The payment system can be set up by a Miele technician or authorised dealer when the washer-extractor and tumble dryer are commissioned.

Coins / tokens must be removed from the payment system regularly, otherwise it will become blocked.

* Available from the Miele Spare Parts department.

Installation surface

⚠ Do not install the appliance stack near or directly above an open gully or floor drain. Moisture from these can penetrate the stack and damage electrical components.

⚠ Ensure that the feet of the washer-extractor and the floor are dry to prevent the washer-extractor from slipping during the spin cycle.

A concrete floor is the most suitable installation surface, being far less prone to vibration during the spin cycle than wooden floorboards or a carpeted surface.

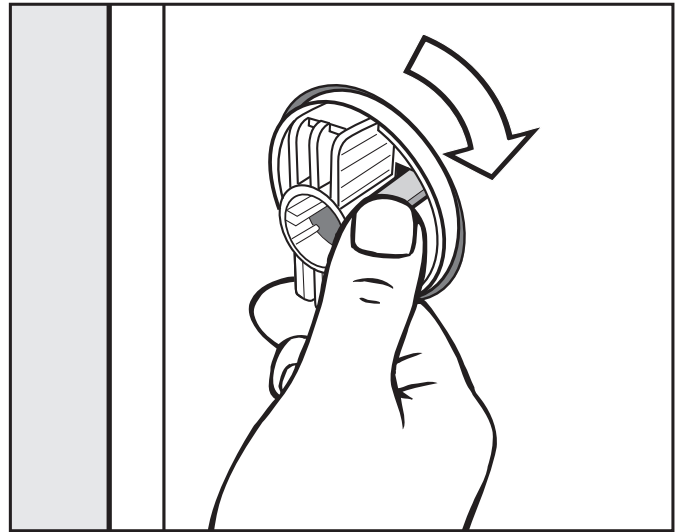
- The appliance stack must be level and securely positioned.
- To avoid vibrations during spinning, it should not be installed on soft floor coverings.

If installing on a wooden joist floor:

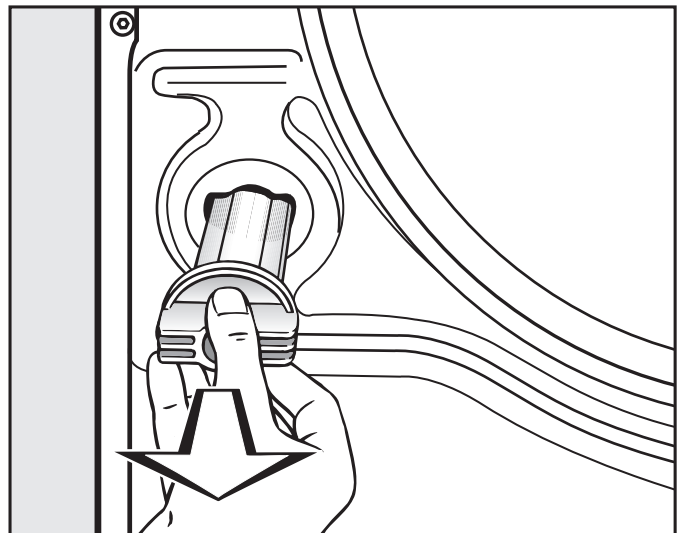
- We recommend a plywood base (at least 69 x 77 x 3 cm). The base should span several joists and be bolted to the joists and not only to the floorboards. Check for the presence of pipes and cables first.

If possible, install the stack in a corner, as this is usually the most stable part of the floor.

Removing the transit bars

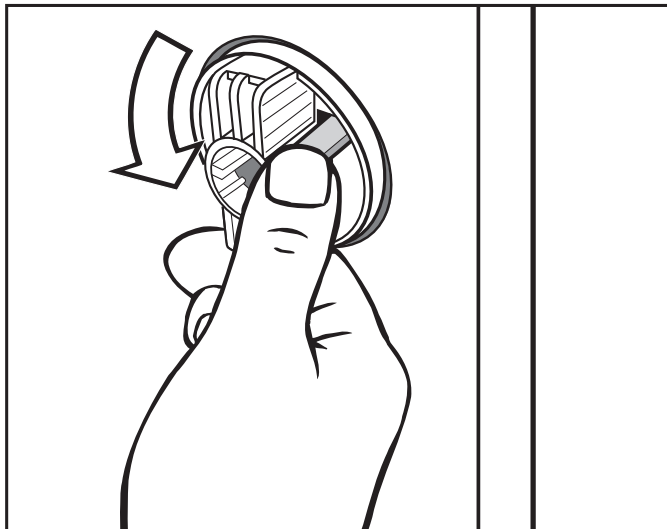


- Release the catch on the washer-extractor and turn the left hand transit fitting clockwise by 90°.

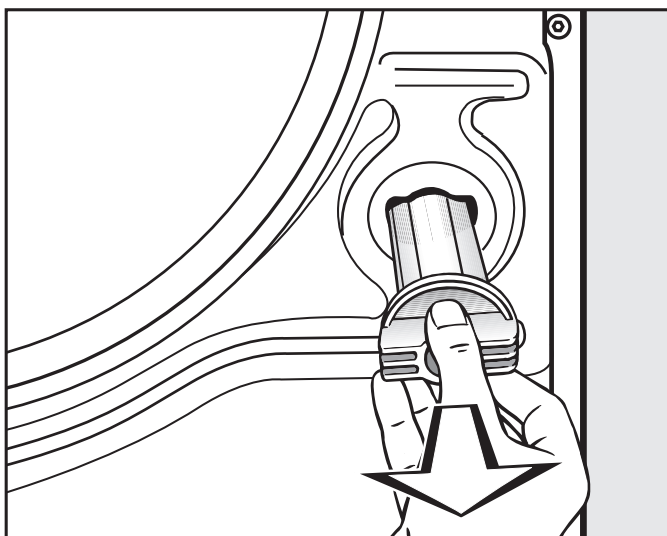


- Then withdraw the transit bar.

Installation and connection

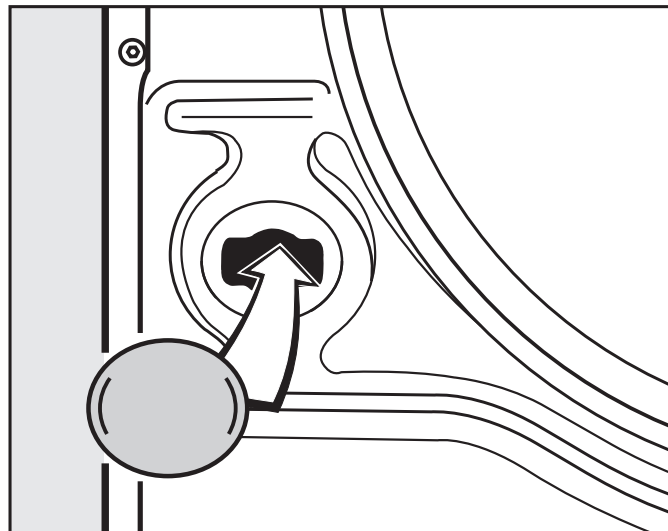


- Release the catch and turn the right hand transit fitting anti-clockwise by 90°.



- Then withdraw the transit bar.

⚠ To avoid the risk of injury the holes for the transit bars must be covered after they have been removed.



- Plug the holes with the plastic caps supplied.

⚠ The appliance stack must not be moved without the transit bars in place. Keep them in a safe place for future use. They must be re-fitted if the stack is to be moved again (e.g. when moving house).


⚠ Ensure the stack is stable during transportation.

Re-fitting the transit bars

Re-fitting is carried out by reversing the procedure.

Levelling the washer-extractor

Ensure that the feet of the washer-extractor and the floor are dry to prevent the washer-extractor from slipping during the spin cycle.

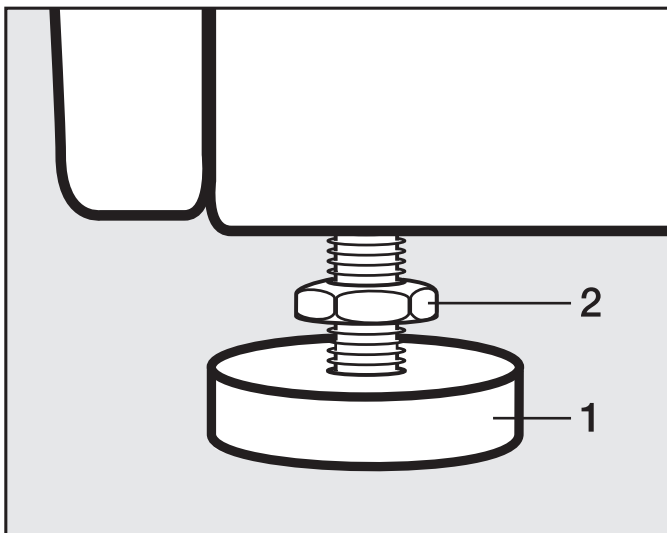
 The appliance stack must stand perfectly level on all four feet to ensure safe and proper operation.

Incorrect installation may increase electricity and water consumption and may cause the laundry stack to move about.

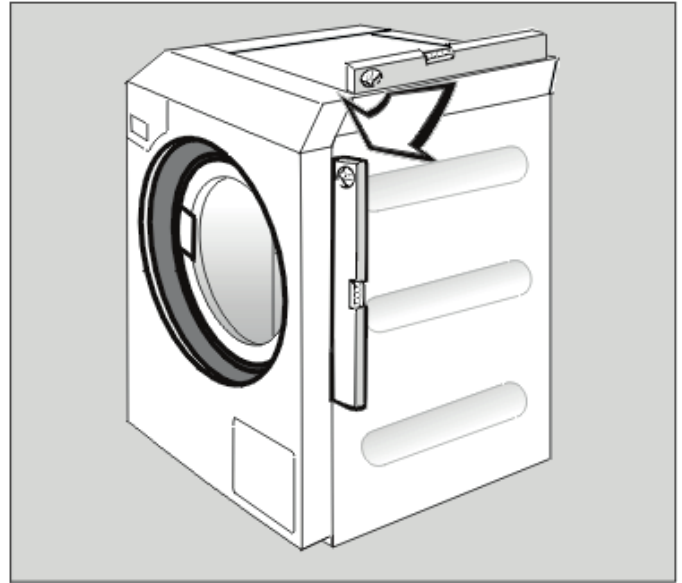
Screwing out and adjusting the feet

The four adjustable feet underneath the washer-extractor are used to level the appliance stack. All four feet are screwed in when the appliance stack is delivered.


First align and level the washer-extractor.



- Using the spanner supplied, turn counter nut **2** in a clockwise direction. Then turn counter nut **2** together with foot **1** to unscrew.

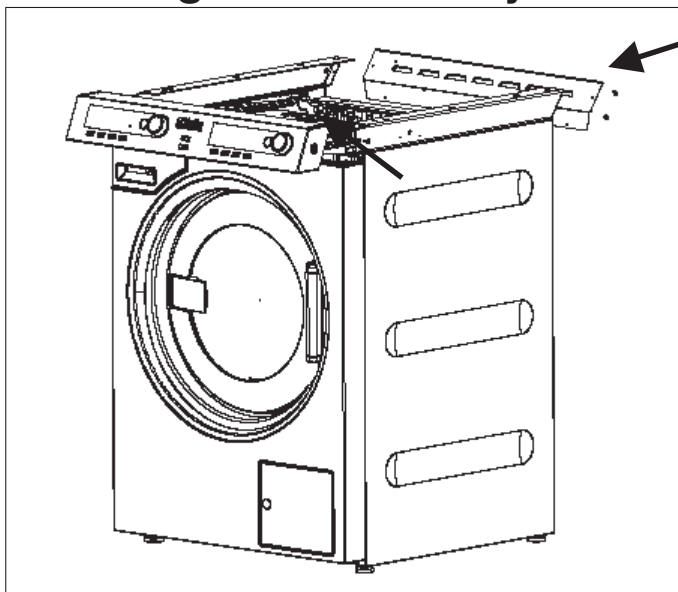


- Use a spirit level to check that the washer-extractor is standing level.
- Hold foot **1** securely with a pipe wrench. Turn counter nut **2** again using the spanner supplied until it sits firmly up against the housing.

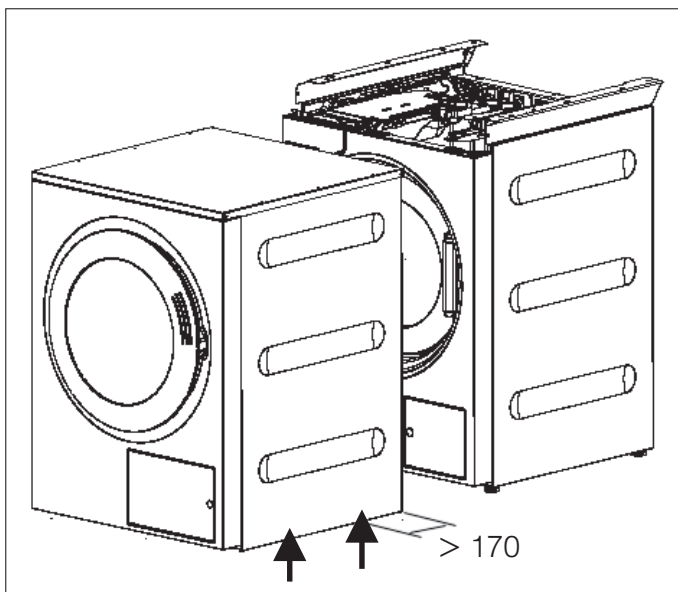
 All four counter nuts must sit firmly up against the housing. Please also check this for the feet which did not need adjustment. Otherwise there is the danger of the appliance stack moving during use.

Installation and connection

Installing the tumble dryer




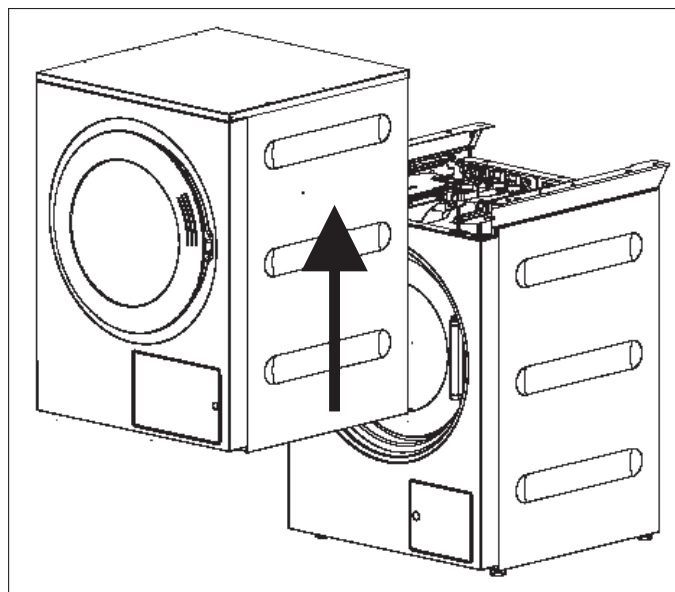
- Loosen the 2 screws on the control panel of the washer-extractor, then disconnect the plugs from the electronic unit and from the switch and carefully place the control panel to one side where it cannot get damaged. When disconnecting the plugs please ensure that the pins do not come loose or get damaged.
- Loosen the 4 screws from the joining panel at the back of the washer-extractor and then place it to one side.



- Then position the tumble dryer in front of the washer-extractor.
- Release the cables which protrude from underneath the dryer from the packaging.
- Lift the dryer from the positions marked in the drawing. When doing so maintain the correct distance from the rear panel.

During installation please use adequate measures to protect yourself, e.g. by wearing protective gloves.

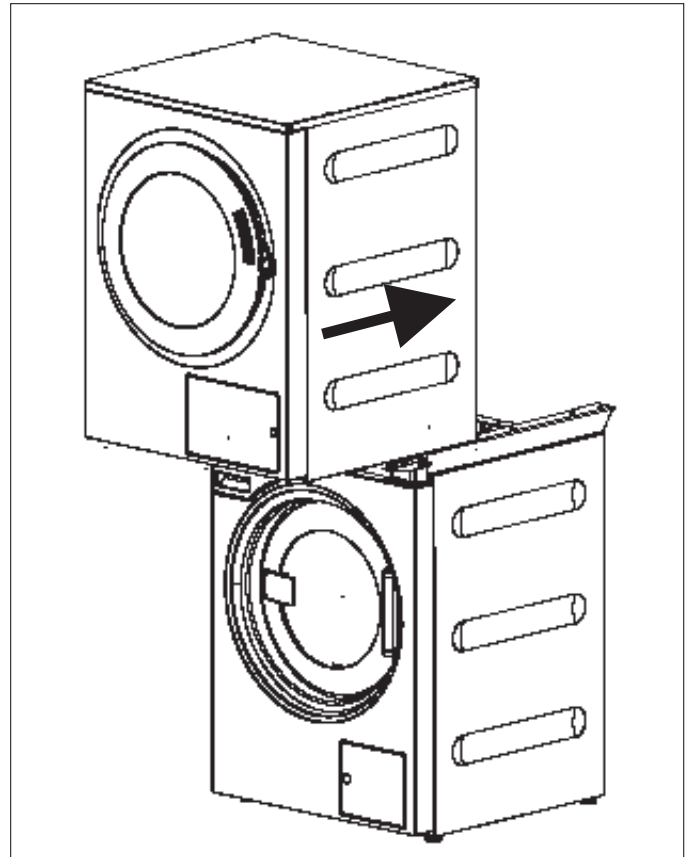
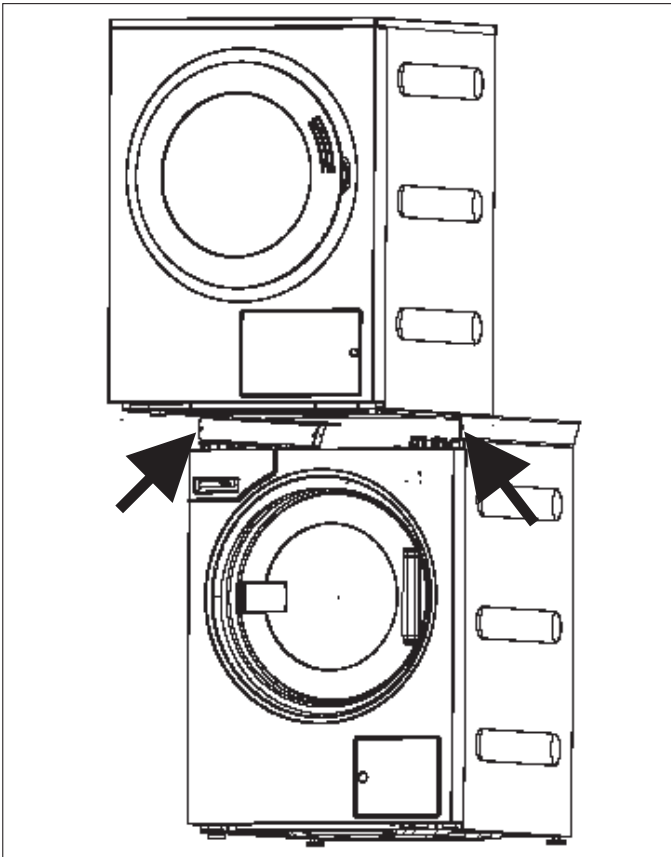
 The dryer is very heavy (approx. 74 kg).



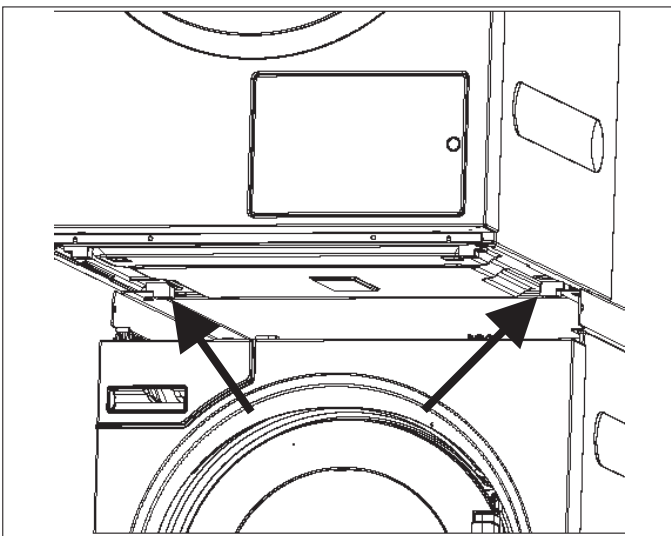
- With the help of a suitable person lift the top dryer onto the washer-extractor.

Use a suitable lifting device if possible.


Installation and connection

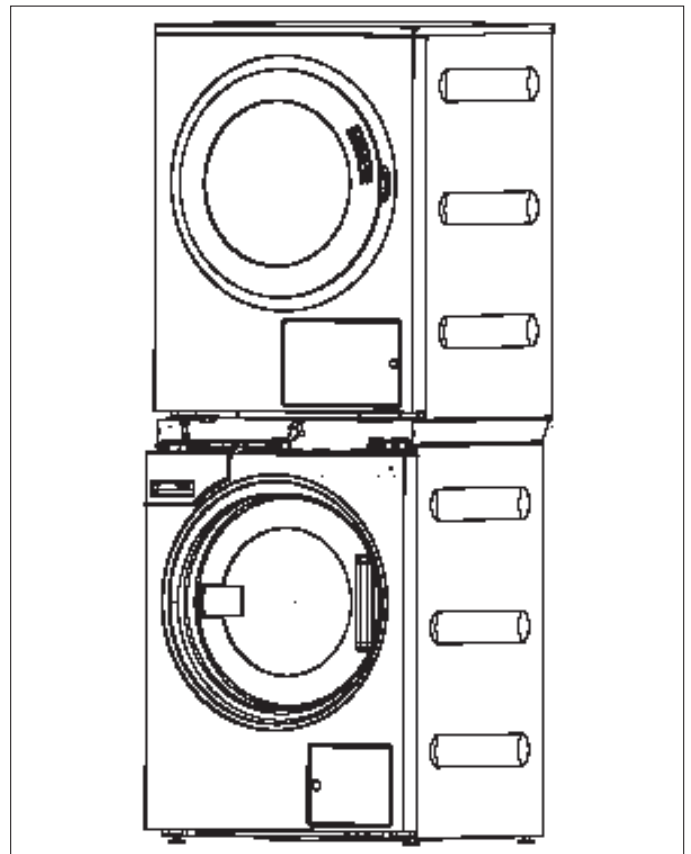


- Slide the dryer back along the guides as far as it will go.

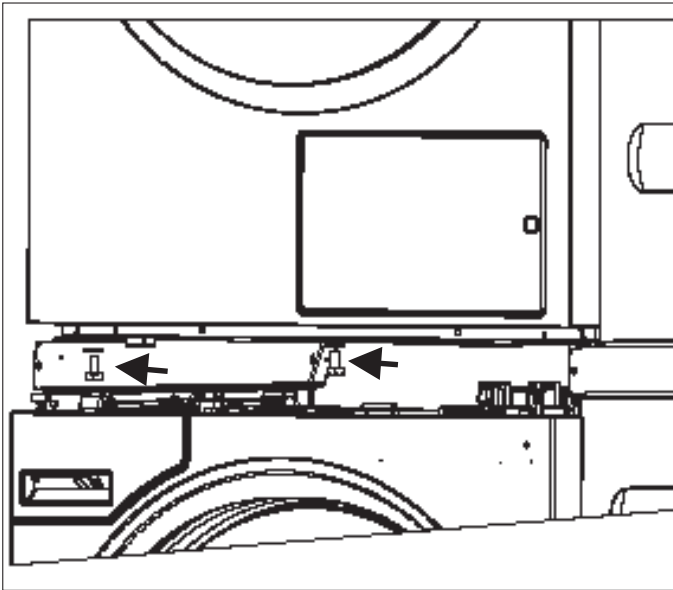


- Fit the rear guides on the base plate of the tumble dryer into the guides on the washer-extractor.

 **Danger of injury!**
Be careful not to trap your fingers when positioning the tumble dryer.



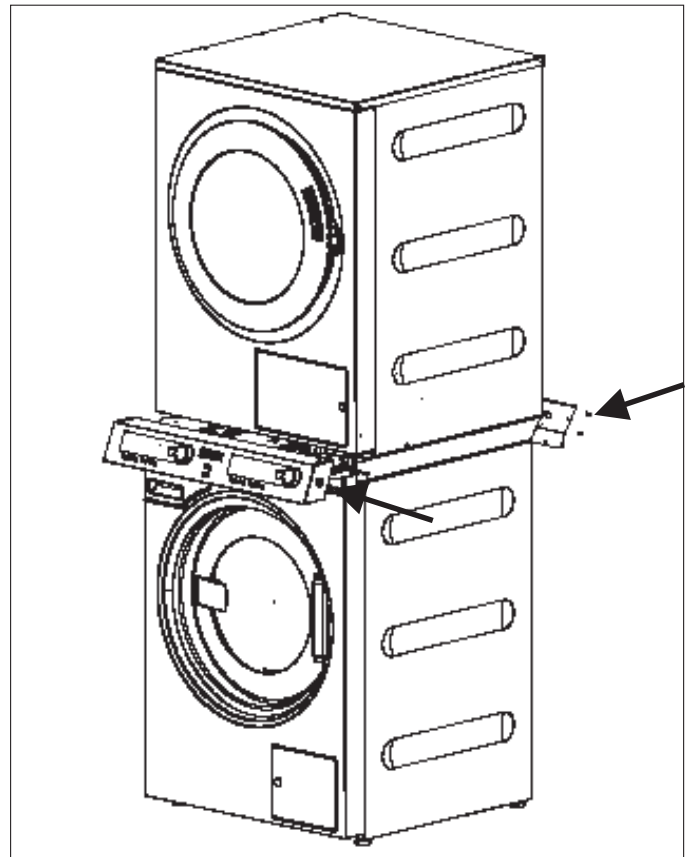
Installation and connection



- Secure the dryer through the guides to the washer-extractor dryer using 4 screws and washers (supplied in the accessory pack).

Make sure that the connecting screws are correctly tensioned between the washer-extractor and the dryer (45 Nm).

- Connect the plugs from the washer-extractor and the dryer to the relevant electronic unit and to the relevant switch on the control panel. The white cables connect to the top on the On/Off switch. The brown cables connect to the left on the On/Off switch.



- Screw the control panel to washer-extractor using 2 screws.
- Screw the joining panel to the back of the washer-extractor using 4 screws.

Installation and connection

Plumbing

This machine is approved for all UK applications as suitable for category 5. The product is listed in the WRAS regulations advisory scheme directory and is suitable for direct connection to mains drinking water. No special plumbing arrangements e.g. break tanks are required.

Two Water Council approved double check valves are supplied in the accessories pack provided with this machine. They should be fitted in between the stopcocks and the water inlet hoses.

The machine is built in accordance with current DIN standards and must be connected to a mains water supply in accordance with local and national safety regulations. It can be connected without a non-return valve if national regulations permit


The machine is designed to operate with a flow pressure of between 1 and 10 bar (100 kPa and 1,000 kPa). At higher water pressures it is essential to fit a reducer valve.

Connection to the water supply should be carried out by a qualified plumber and should incorporate a stopcock with a 3/4" thread. The stopcock should be fitted by a qualified plumber.

The machine is supplied as standard with two hoses, for connection to a hot and cold water supply.

Connection to the cold water supply

The cold water inlet hose must be connected to the on-site cold water supply (pos. 5) via a 3/4" threaded union. It is **not** suitable for connection to a hot water supply.

 The connection point is subject to mains water pressure. Turn on the stopcock slowly and check for leaks. Correct the position of the washer and union if appropriate.

Maintenance and care

Only use a genuine Miele hose should you ever need a replacement. Miele hoses are tested to withstand pressure of at least 70 bar (7,000 kPa).

In order to protect the water inlet valve, the two dirt filters - one in the open end of the inlet hose, one at the inlet point in the machine - must not be removed.

Installation and connection

Connection to the hot water supply

To keep electricity consumption costs down this machine can be connected to a (ring) piped hot water supply, max. temperature 60°C.

The inlet hose is connected to the on-site hot water supply (pos. 4).

It is not economical to run it from an individual hot water supply if it is not in continuous use, as the water in the supply pipes cools down and more energy would be required to reheat the water. For hot water connection the same conditions apply as for cold water connection.

For operational reasons the machine must not be connected to hot water only.

If the machine is **not** connected to a hot water supply, the hot water inlet hose must be disconnected and the water settings for the *main wash*, *pre-wash* and *rinses* must be reprogrammed.

- Select the cold option in the *Settings menu/Supervisor level/menu*.

The programme durations may be longer.

- Disconnect the hot water hose (pos. 4)
- Plug the inlet hole with the blanking cap supplied.

Recycled water connection

This machine can be connected to a recycled water supply.

- Unscrew the blanking cap from the recycled water valve.
- Connect the additional inlet hose to this valve.

The *main wash* and *rinses* water settings must then be set as appropriate.

- Go to *Settings menu/Supervisor level* menu and select the *Recycled water* option.

Water drainage

Drain pump

The washer-extractor drains via a drain pump with a delivery head of 1 metre*. The drain hose must not be kinked as this restricts drainage. The swivel elbow at the end of the hose can be turned in either direction, or can be detached if required, with a sharp twist and pull.

Drain hose connection:

1. Connected securely to a plastic drain pipe with a rubber nipple. There is no need to use a non-return valve.
2. Connected securely to a standpipe.
3. Connected securely to a floor gully.


If required, the drain hose can be extended to a length of 5 m. The necessary parts can be purchased from the Miele Spare Parts Department or your Miele dealer.

* For a delivery head of more than 1 m (up to a max. of 1.6 m) a second duo-drain pump is available with the corresponding kit from the Miele Spare Parts Department or your Miele Dealer.

Installation and connection

Electrical connection

The appliance stack is supplied with two flexible mains connection cables without plugs.

 The voltage, rated load and fuse rating are given on the data plate. Please ensure these match the on-site mains supply.

The appliance stack must be connected to the electrical supply in accordance with local and national safety regulations (BS 7671 in the UK).


Connection to the electrical supply must only be carried out by a suitably qualified, competent and authorised person.

Connection should be made via isolator switches or CEE type plugs and sockets.

Plug and socket connections will also make it easier to carry out mandatory safety checks, e.g. after commissioning or maintenance.

Provision should be made on-site for all-pole simultaneous disconnection for both appliances in accordance with IEC 60947-1.

The disconnection point and the plug and socket connections must be located immediately next to the appliances. Both must be easily recognisable and accessible for disconnection at any time.

 Lock-off or otherwise secure the device used for isolation to prevent unauthorised reconnection.

For extra safety, it is advisable to protect the appliances with suitable residual current devices (RCD) with a trip current of 30 mA.


WARNING:

THIS APPLIANCE

MUST BE EARTHED

Installation - extraction ducting

General

 Before operating the appliance stack, a suitable ducting system must be installed to carry the moist air from the dryer to the outside.

The appliance stack must be completely disconnected from the mains electricity supply whilst the ducting system is installed.

The venting outlet (e.g. in a wall) should be installed in such a way that the moist expelled air: .

. . . cannot be drawn back into the room in which the appliance is installed;
. . . cannot cause any damage to the building or other nuisance.

The dryer uses the room air. It is therefore essential to ensure adequate ventilation to avoid the **danger of asphyxia and toxic fumes** caused by gases given off by other appliances being drawn back into the room.
. . . Insufficient ventilation will also cause drying times to be considerably longer.

Where ducting is laid at a gradient, it is advisable to provide drainage for condensate at the lowest point, e.g. into a container or if possible an appropriately located floor gully.

Ventilation can be maintained by:

- an open window.
- a window contact switch. This prevents the dryer being used when a window is shut.
- air inlets in the external wall which cannot be closed or blocked (min. 237 cm²).

Avoid:

- very long ducting systems.
- too many tight bends or corners.

Otherwise the drying result will be less effective, and it will take longer and use more energy.

Suitable materials

- for the ventilation ducting: flexible ducting* or plastic piping with a diameter of at least 100 mm.
- for venting to the outside: a wall pipe kit* or a window vent kit*.

* optional accessory

Installation - extraction ducting

To calculate the total duct length

Friction against the inner walls of the vent ducting will slow down the expelled air as it passes through the ducting. An elbow, bend, non-return flap or wall vent creates more friction than a straight duct. The friction created by each of these is expressed as an **additional duct length factor**. The additional duct length factors are calculated by comparing the friction created by, for example, an elbow to that created by 1 metre of straight plastic piping (see Table 1).

The additional duct length factor for each item needs to be added together to ascertain the **total length** which will be needed for the venting system. The total duct length is a means of calculating the friction created by the venting system as a whole.

A larger **internal duct diameter** also helps reduce friction. If the total duct length is **more than 20 m**, the duct diameter should be increased (see Table II).

Procedure

1. First measure the distance requiring straight ducting. Multiply this amount by the corresponding additional length factor in **Table I**.
2. Establish the number of angles, bends etc., and add their additional length factors together with the help of **Table I**.
3. Add all the additional length factors to give the total duct length.

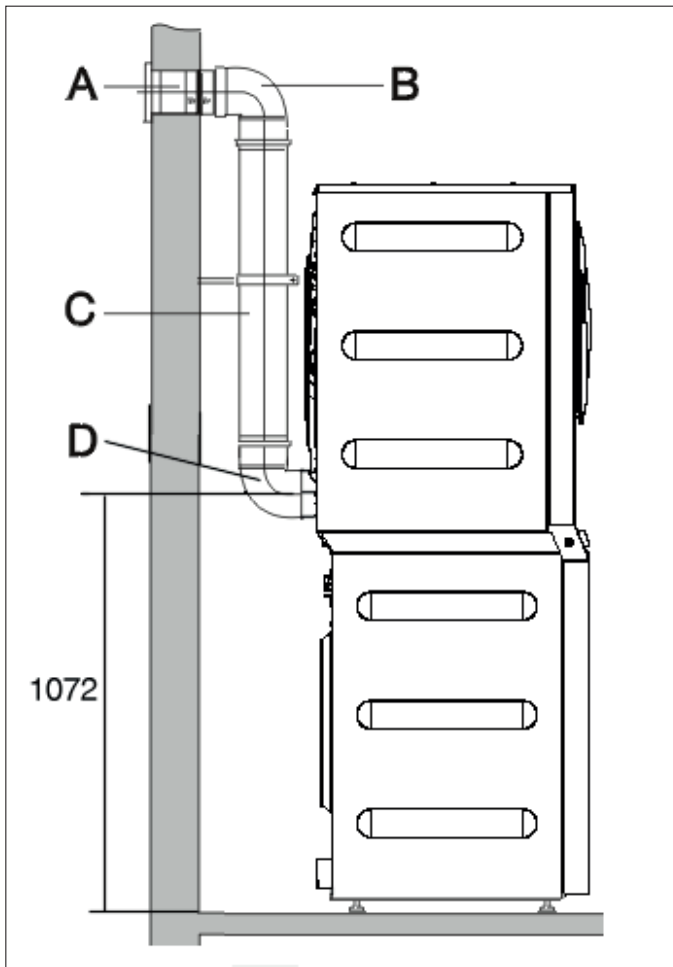
4. Refer to **Table II** for the appropriate duct diameter required.

Table I	
Component	Additional duct length factor
Flexible ducting*	
– 1 m laid <u>straight</u>	1.8 m
– 45° angle (Bend radius = 0.25 m)	1.5 m
– 90° angle (Bend radius = 0.25 m)	2.5 m
Flexible aluminium ducting*/plastic piping	
– 1 m laid <u>straight</u> , or 1 m straight pipe	1.0 m
– 45° angle (Bend radius = 0.25 m)	0.6 m
– 90° angle (Bend radius = 0.25 m)	0.8 m
Wall vent kit* or window vent kit*	
– with louvred grill	3.8 m
– with non-return flap (hinged flap)	1.5 m
Non-return flap* (see "Venting more than one dryer via the same venting system")	14.3 m
* optional accessory	

Table II	
Maximum total duct length allowable	Internal duct diameter required
20 m	100 mm
40 m	125 mm
80 m	150 mm

Installation - extraction ducting

Calculation example

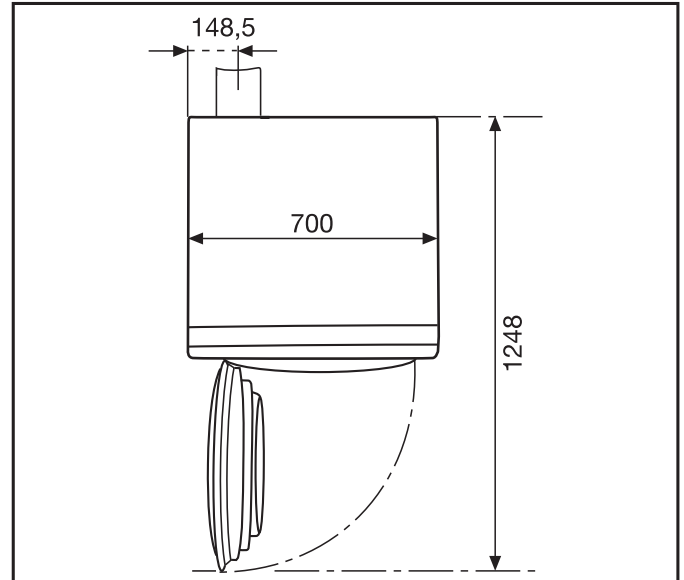


A	Wall pipe, with louvred vent		
	= 1 x 3.8 m Additional duct length	=	3.8 m
B/D	2 bends, 90° plastic piping		
	= 2 x 0.8 m Additional duct length	=	1.6 m
C	0.5 m plastic piping		
	= 0.5 x 1 m Additional duct length	=	0.5 m
Total duct length		=	5.9 m

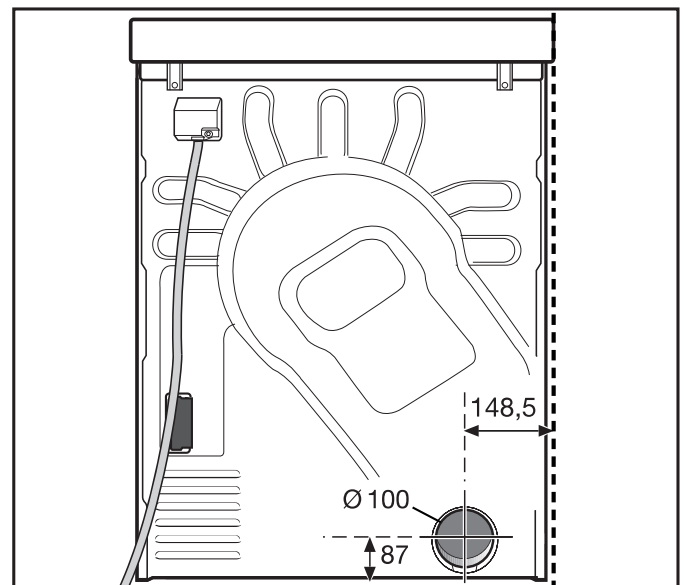
Result: A duct diameter of 100 mm is adequate as the total duct length is less than the 20 m specified in Table II.

Dimensions for exhaust connection

View from above



Rear view of the dryer



Installation - extraction ducting

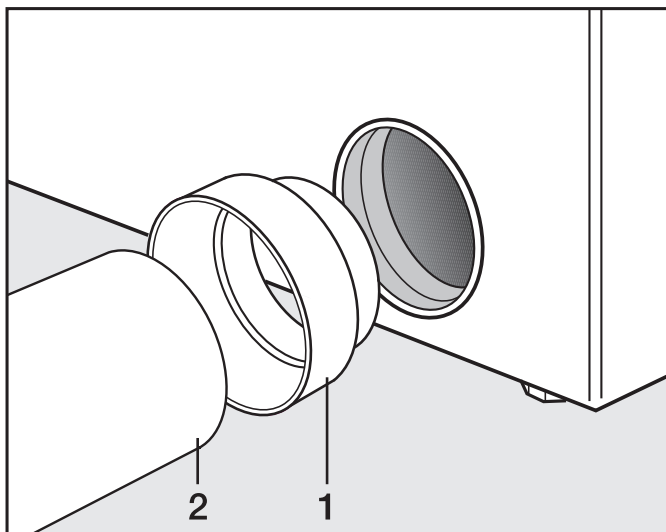
Venting system with plastic piping

Plastic piping can be fitted using an adapter.

The following items are required:

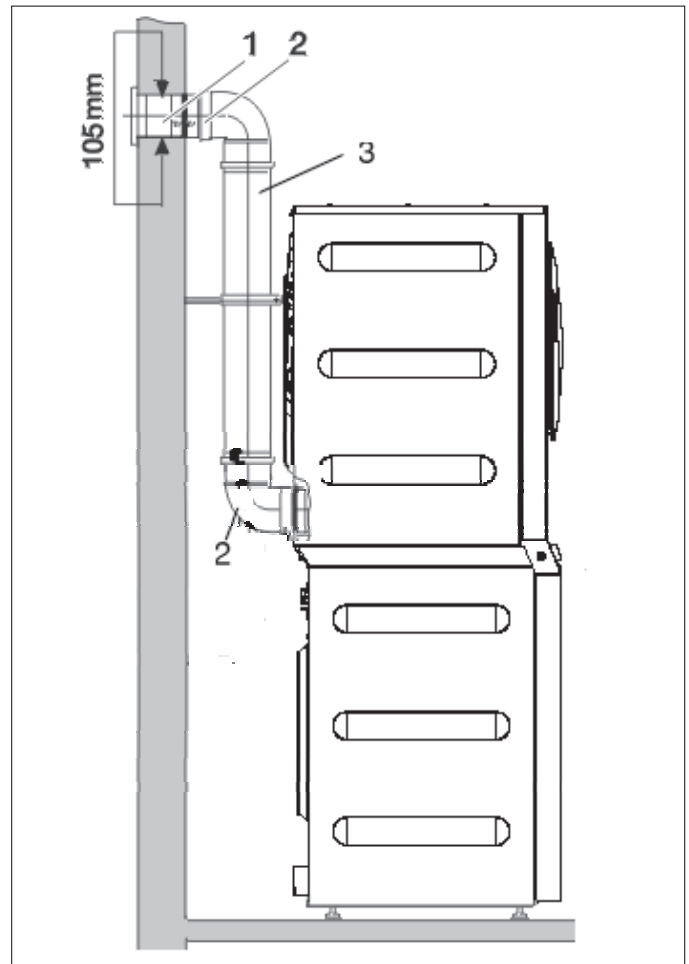
- an adapter.
- a wall vent kit* or window vent kit*.
- suitable plastic piping, available from your dealer or builders' merchant. Where the pipe diameter is more than 100 mm, an adapter is necessary (e.g. 100 to 125 mm) to connect the pipe to the dryer.

(* optional accessory)



- Fit the connecting piece (1) and pipe (2), as shown.

Example: Wall vent



1. Wall vent kit
(separate fitting instructions are supplied with the Miele wall vent kit)
2. Adapter
3. Plastic piping, diameter DN 100

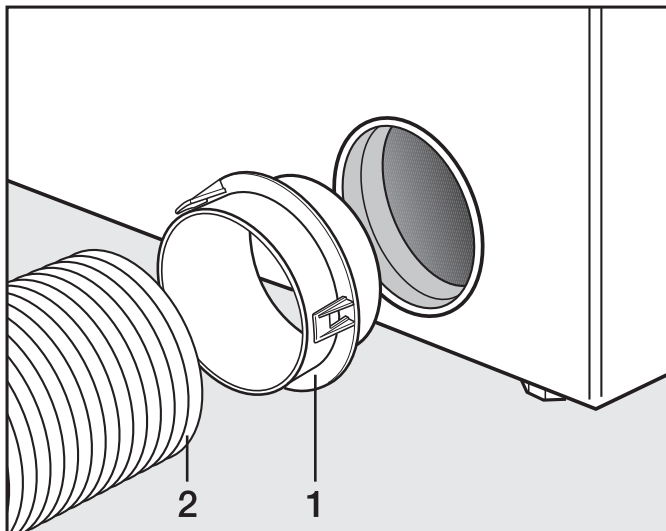
Venting system with flexible ducting

Flexible ducting can be fitted using an adapter.

The following items are required:


- an adapter.
- flexible ducting hose or Alu-flex ducting*
- a wall vent kit* or window vent kit*.

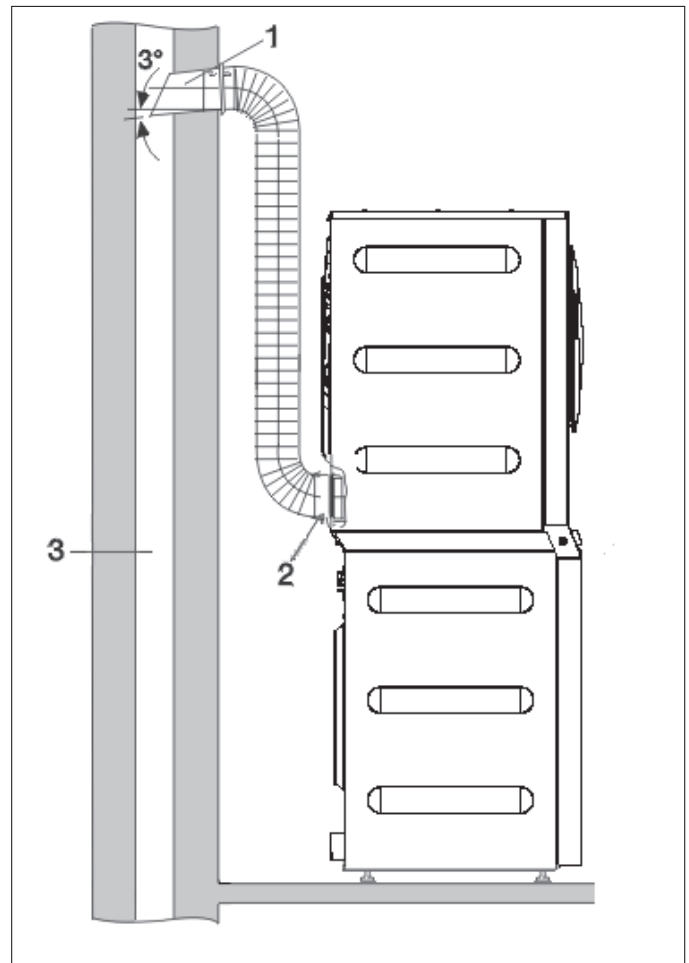
* (optional accessory)



- Fit the adapter (1) and flexible ducting hose* (2), as shown.

Example: Connection to an exhaust flue

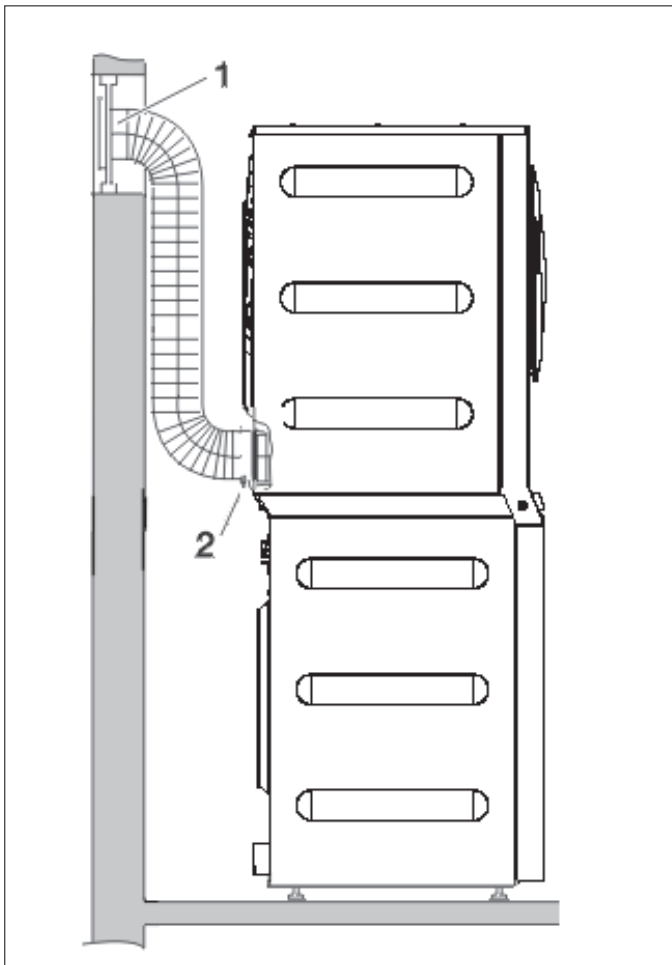
 The exhaust air must not be vented into a chimney or vent flue which is in use, nor should it be connected to ducting which ventilates rooms with fireplaces.



1. Pipe with connection piece (= supplied with wall vent kit)
2. Adapter for flexible ducting hose
3. Exhaust flue insulated against damp

Installation - extraction ducting

Example: Window vent



1. Window vent kit (fitted in a "plexiglass" pane)
(separate fitting instructions are supplied with the Miele window vent kit)
2. Adapter for flexible ducting hose

Installation - extraction ducting

Venting more than one dryer via the same venting system

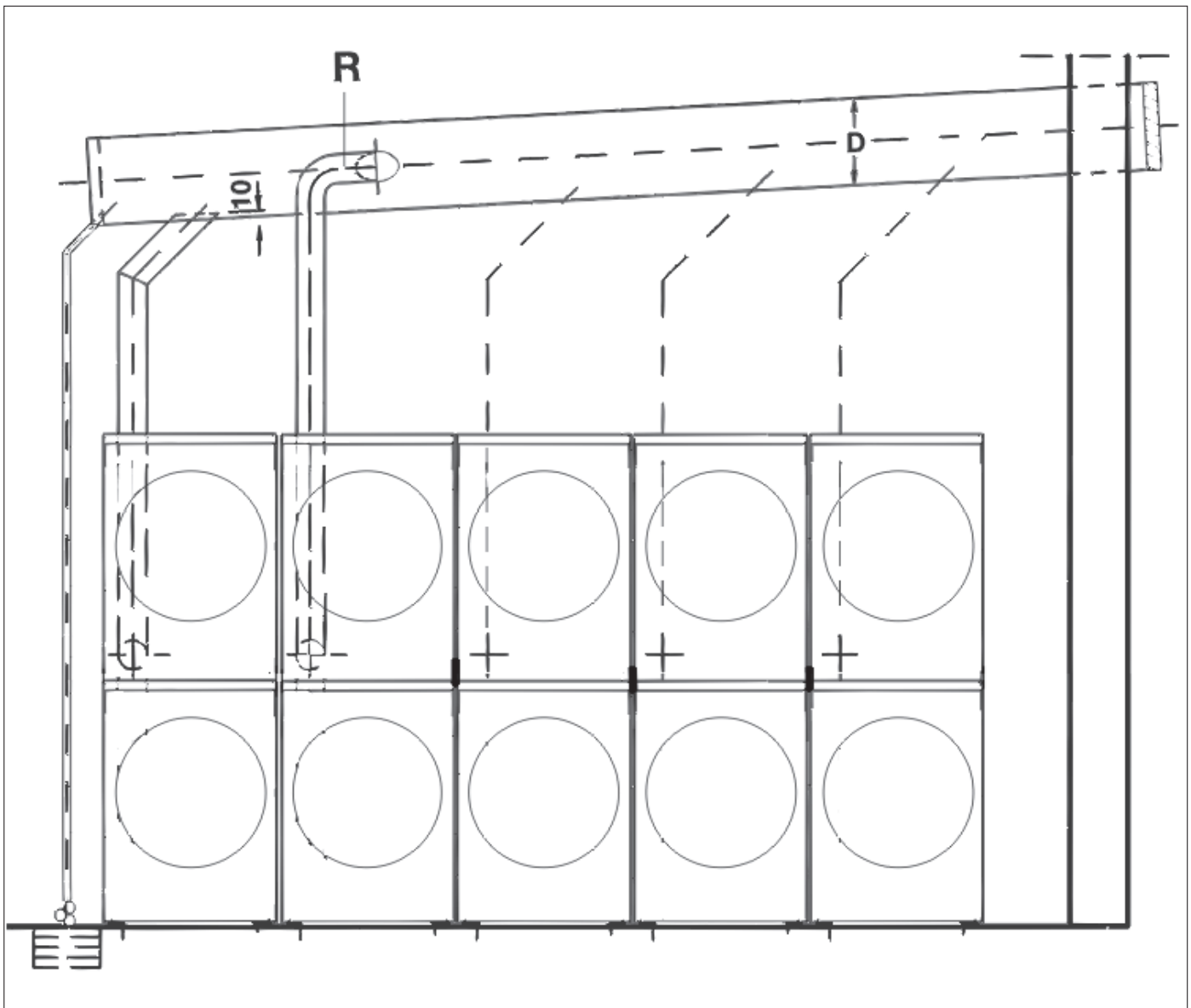
Building regulations approval may be required. Contact your local planning authority for advice.

⚠ For each dryer there **must** be one non-return flap **R** installed directly on the main venting duct. The items required for this are available as optional accessories (see next page).

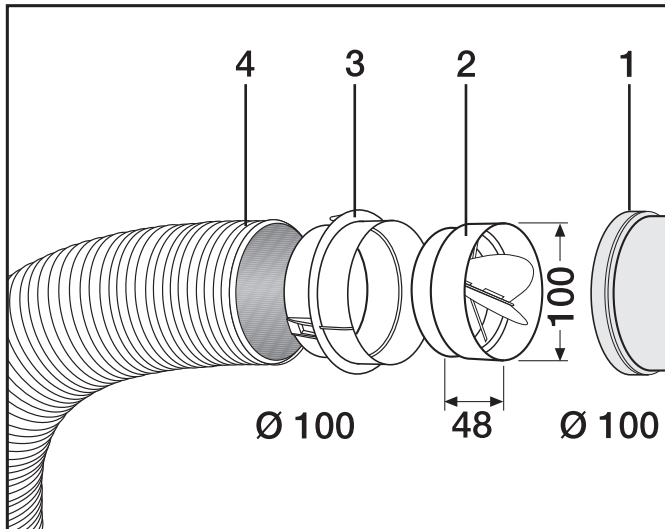
⚠ Otherwise condensation could trickle back into the dryers causing damage and endangering their electrical safety.

When installing 3 to max. 5 dryers, pipe diameter **D** must be increased.

Number of dryers	Magnification factor for the pipe diameter from Table II
3	1.25
4 - 5	1.5



Installation - extraction ducting



- 1 Connection to the main venting duct
- 2 Miele non-return flap*
- 3 Additional Miele adapter*
- 4 Miele flexible ducting hose*

■ Push the non-return flap (2) all the way into the adapter (3).

(* optional accessory)

Technical data

Height	1930 mm
Width	700 mm
Depth	752 mm
Depth with door open	1248 mm
Weight	209 kg
Max. load bearing in operation	3350 Newton (approx. 335 kg)
Capacity	9.0 kg dry weight each (weight of dry laundry)
Voltage	See data plate
Connected load	See data plate
Fuse rating	See data plate
Lamp wattage	See data plate
Emission sound pressure level in accordance with EN ISO 11204/11203	< 70 dB re 20 µPa
Minimum water flow pressure	100 kPa (1 bar)
Maximum water flow pressure	1000 kPa (10 bar)
Inlet hose length	2.00 m
Mains connection cable length	2.00 m
Max. delivery head (drain pump version)	1.00 m
Product safety standard	According to EN 10472, EN 60335
Test certificates awarded	See data plate

United Kingdom

Miele Co. Ltd., Fairacres, Marcham Road
Abingdon, Oxon, OX14 1TW
Professional Sales, Tel: 0845 365 6608
E-mail: professional@miele.co.uk
Internet: www.miele.co.uk/professional

Australia

Miele Australia Pty. Ltd.
ACN 005 635 398, ABN 96 005 635 398
1 Gilbert Park Drive, Knoxfield, VIC 3180
Tel: 1300 731 411
Internet: www.miele.com.au/professional
E-mail: info@miele-professional.com.au

China Mainland

Miele Electrical Appliances Co., Ltd.
1-3 Floor, No. 82 Shi Men Yi Road
Jing' an District, 200040 Shanghai, PRC
Tel: +86 21 6157 3500, Fax: +86 21 6157 3511
E-mail: info@miele.cn, Internet: www.miele.cn

Hong Kong, China

Miele (Hong Kong) Ltd.
41/F - 4101, Manhattan Place
23 Wang Tai Road, Kowloon Bay, Hong Kong
Tel: (852) 2610 1025, Fax: (852) 3579 1404
Email: customerservices@miele.com.hk
Website: www.miele.hk

India

Miele India Pvt. Ltd.
Ground Floor, Copia Corporate Suites
Plot No. 9, Jasola, New Delhi - 110025
Tel: 011-46 900 000, Fax: 011-46 900 001
E-mail: customercare@miele.in, Internet: www.miele.in

Ireland

Miele Ireland Ltd.
2024 Bianconi Ave., Citywest Business Campus, Dublin 24
Tel: (01) 461 07 10, Fax: (01) 461 07 97
E-Mail: info@miele.ie, Internet: www.miele.ie

Manufacturer: Miele & Cie. KG, Carl-Miele-Straße 29, 33332 Gütersloh, Germany

Malaysia

Miele Sdn Bhd
Suite 12-2, Level 12
Menara Sapura Kencana Petroleum
Solaris Dutamas No. 1, Jalan Dutamas 1
50480 Kuala Lumpur, Malaysia
Phone: +603-6209-0288
Fax: +603-6205-3768

New Zealand

Miele New Zealand Limited
IRD 98 463 631
8 College Hill
Freemans Bay, Auckland 1011, NZ
Tel: 0800 464 353
Internet: www.miele.com.au/professional
E-mail: info@miele-professional.com.au

Singapore

Miele Pte. Ltd.
29 Media Circle, #11-04 ALICE@Mediapolis
Singapore 138565
Tel: +65 6735 1191, Fax: +65 6735 1161
E-Mail: info@miele.com.sg
Internet: www.miele.sg

South Africa

Miele (Pty) Ltd
63 Peter Place, Bryanston 2194
P.O. Box 69434, Bryanston 2021
Tel: (011) 875 9000, Fax: (011) 875 9035
E-mail: info@miele.co.za
Internet: www.miele.co.za

United Arab Emirates

Miele Appliances Ltd.
Showroom 1, Eiffel 1 Building
Sheikh Zayed Road, Umm Al Sheif
P.O. Box 114782 - Dubai
Tel. +971 4 3044 999, Fax. +971 4 3418 852
800-MIELE (64353)
E-Mail: info@miele.ae, Website: www.miele.ae